




Stainless Steel Tubular Product Guide

 EXPERTISE  COLLABORATION  INTEGRITY



Righton Blackburns is an independent metals and plastics stockholder with more than a century of trusted supply-chain expertise.

Today, we are recognised as a leading supplier to a diverse customer base. Our commitment to quality and service enables us to meet requirements ranging from general engineering to safety-critical applications.

Our reputation is founded on both the efficiency and integrity of our business dealings, as well as our proven ability to innovate and respond to change.

A unique supplier of metals and plastics we operate from nine strategically located Service Centres across the UK, delivering exceptional product quality and outstanding service to customers nationwide.

With our focus on customer service, technical expertise, modern facilities and reliable logistics, we respond efficiently and effectively to every requirement.

In addition, our central facility carries over 10,000 tonnes of material in 200,000 square feet of warehouse space, helping us provide immediate stock availability and remain responsive to the constant fluctuations in demand faced by industry today.

Committed to building long term relationships with our customers we have made significant investment in fabrication and processing facilities, allowing us to supply material closer to final form, creating a real opportunity for a one-stop shop.

As a trusted supply partner, we are committed to the ethical sourcing and delivery of our products and services.

Our long-term focus on responsible, low-impact operations is driving measurable reductions in our carbon footprint, aligning with our broader environmental priorities and supporting the transition to a more responsible, lower-carbon future.

Your trusted supply partner for quality metals and specialist plastics

Righton Blackburns Limited, a leading supplier of metals and plastics to industry is one of the largest UK stockholders & distributors of tubular products, offering a complete range of stainless, copper nickel and carbon steel pipe, tube, fittings, flanges and ancillary piping related products.

Our extensive product portfolio, including the complementary tubular products range is available ex stock from our nine strategically located Service Centres nationwide, in all international standards, grades, dimensions and surface finishes.

Unrivalled commitment to service, extensive experience, state of the art warehousing facilities and logistical expertise ensures we are perfectly equipped to respond to customer requirements including those for critically demanding piping applications.

An industry-wide need for stockholders to be more than just a material supplier prompted the development of our 'Total Supply Package' - A supply partnership consistently proven to reduce the total acquisition cost of raw materials for our customers.

ASTM PIPE	2
ASTM TUBE	11
BUTT WELD FITTINGS	24
BSP FITTINGS	39
FLANGES	41
HYGIENICS	64
METRIC TUBE AND FITTINGS	77
GENERAL INFORMATION	84



ASTM Pipe

Introduction

The term pipe covers a specific range of sizes laid down by ANSI specifications. Any sizes not covered by these specifications are tube. Stainless Steel Pipe dimensions determined by ASME B36.19 covering the outside diameter and the Schedule wall thickness. Note that stainless wall thicknesses to ANSI B36.19 all have an 'S' suffix. Sizes without an 'S' suffix are to ANSI B36.10 which is intended for carbon steel pipes.

SEAMLESS AND WELDED

ASTM A312: Seamless and straight-seam welded austenitic pipe intended for high temperature and general corrosive service. Filler metal not permitted during welding.

ASTM A358: Electric fusion welded austenitic pipe for corrosive and/or high temperature service. Typically only pipe up to 8 inch is produced to this specification. Addition of filler metal is permitted during welding.

ASTM A790: Seamless and straight-seam welded ferritic/austenitic (duplex) pipe intended for general corrosive service, with a particular emphasis on resistance to stress corrosion cracking.

ASTM A409: Straight-seam or spiral-seam electric fusion welded large diameter austenitic light-wall pipe in sizes 14" to 30" with walls Sch 5S and Sch 10S for corrosive and/or high temperature service.

ASTM A376: Seamless austenitic pipe for high temperature applications.

ASTM A813: Single-seam, single or double welded austenitic pipe for high temperature and general corrosive applications.

ASTM A814: Cold-worked welded austenitic pipe for high temperature and general corrosive service.

Note: Welded pipes manufactured to ASTM A312, A790 and A813 must be produced by an automatic process with NO addition of filler metal during the welding operation.

WELDED PIPE SPECIFICATIONS

Usually it will be to ASTM A312. If it's to ASTM A358 then there are various Classes available as shown below. The Class Number dictates how the pipe is welded and what non-destructive tests:

CLASS 1: Pipe shall be double welded by processes employing filler metal in all passes and shall be completely radiographed.

CLASS 2: Pipe shall be double welded by processes employing filler metal in all passes. No-radiography is required.

CLASS 3: Pipe shall be welded in one pass by processes employing filler metal and shall be completely radiographed.

CLASS 4: Same as Class 3 except that the welding process exposed to the inside pipe surface may be made without the addition of filler metal.

CLASS 5: Pipe shall be double welded by processes employing filler metal in all passes and shall be spot radiographed.

MARKINGS ON PIPE

The full identification of the pipe should be continuously marked down its whole length, including:

- Nominal Pipe Size (Nominal Bore)
- Schedule (Wall Thickness)
- Specification
- Grade
- Method of Manufacture (Seamless/Welded)
- Heat Number
- Manufacturer's Name or Symbol



DIMENSIONS AND WEIGHTS PER METRE - STAINLESS STEEL PIPE

ASTM Pipe

PIPE SIZES
ANSI/ASME
B36.19M

Nominal Pipe Size	OD		Schedule 5S ¹			Schedule 10S ¹			Schedule 40S			Schedule 80S		
	in	mm	in	mm	kg/m	in	mm	kg/m	in	mm	kg/m	in	mm	kg/m
1/8	0.405	10.3	-	-	-	0.049	1.24	0.28	0.068	1.73	0.37	0.095	2.41	0.47
1/4	0.540	13.7	-	-	-	0.065	1.65	0.49	0.088	2.24	0.63	0.119	3.02	0.80
3/8	0.675	17.1	-	-	-	0.065	1.65	0.63	0.091	2.31	0.84	0.126	3.20	1.10
1/2	0.840	21.3	0.065	1.65	0.80	0.083	2.11	1.00	0.109	2.77	1.27	0.147	3.73	1.62
3/4	1.050	26.7	0.065	1.65	1.03	0.083	2.11	1.28	0.113	2.87	1.69	0.154	3.91	2.20
1	1.315	33.4	0.065	1.65	1.30	0.109	2.77	2.09	0.133	3.38	2.50	0.179	4.55	3.24
1 1/4	1.660	42.2	0.065	1.65	1.65	0.109	2.77	2.70	0.140	3.56	3.39	0.191	4.85	4.47
1 1/2	1.900	48.3	0.065	1.65	1.91	0.109	2.77	3.11	0.145	3.68	4.05	0.200	5.08	5.41
2	2.375	60.3	0.065	1.65	2.40	0.109	2.77	3.93	0.154	3.91	5.44	0.218	5.54	7.48
2 1/2	2.875	73.0	0.083	2.11	3.69	0.120	3.05	5.26	0.203	5.16	8.63	0.276	7.01	11.41
3	3.500	88.9	0.083	2.11	4.51	0.120	3.05	6.45	0.216	5.49	11.29	0.300	7.62	15.27
3 1/2	4.000	101.6	0.083	2.11	5.18	0.120	3.05	7.40	0.226	5.74	13.57	0.318	8.08	18.63
4	4.500	114.3	0.083	2.11	5.84	0.120	3.05	8.36	0.237	6.02	16.07	0.337	8.56	22.32
5	5.563	141.3	0.109	2.77	9.47	0.134	3.40	11.57	0.258	6.55	21.77	0.375	9.53	30.97
6	6.625	168.3	0.109	2.77	11.32	0.134	3.40	13.84	0.280	7.11	28.26	0.432	10.97	42.56
8	8.625	219.1	0.109	2.77	14.79	0.148	3.76	19.96	0.322	8.18	42.55	0.500	12.70	64.64
10	10.750	273.1	0.134	3.40	22.63	0.165	4.19	27.78	0.365	9.27	60.31	0.5002	12.702	96.012
12	12.750	323.9	0.156	3.96	31.25	0.180	4.57	36.00	0.3752	9.532	73.882	0.5002	12.702	132.082
14	14.000	355.6	0.156	3.96	34.36	0.1882	4.782	41.302	-	-	-	-	-	-
16	16.000	406.4	0.165	4.19	41.56	0.1882	4.782	47.292	-	-	-	-	-	-
18	18.000	457	0.165	4.19	46.81	0.1882	4.782	53.262	-	-	-	-	-	-
20	20.000	508	0.188	4.78	59.25	0.2182	5.542	68.612	-	-	-	-	-	-
22	22.000	559	0.188	4.78	65.24	0.2182	5.542	75.532	-	-	-	-	-	-
24	24.000	610	0.218	5.54	82.47	0.250	6.35	94.45	-	-	-	-	-	-
30	30.000	762	0.250	6.35	118.31	0.312	7.92	147.36	-	-	-	-	-	-

NOTES

- Schedules 5S and 10S wall thicknesses do not permit threading in accordance with ANSI/ASME B1.20.1.
- These dimensions and weights do not conform to ANSI/ASME B36.10M
 - The suffix 'S' after the schedule number indicates that the pipe dimensions and weight are in compliance with this stainless steel pipe specification, ANSI/ASME B36.19M-1985, and not the more general ANSI/ASME B36.10M-1995 specification.
 - Although this specification is applicable to stainless steel, quoted weights are for carbon steel pipe and should be multiplied by 1.014 for austenitic and duplex steels, or by 0.985 for ferritic and martensitic steels.

ASTM Pipe

PIPE SIZES
ANSI/ASME
B36.10M

DIMENSIONS AND WEIGHTS PER METRE - STEEL PIPE

Nominal Pipe Size	OD		Schedule 10			Schedule 20			Schedule 30			Schedule 40		
	in	mm	in	mm	kg/m	in	mm	kg/m	in	mm	kg/m	in	mm	kg/m
1/8	0.405	10.3	-	-	-	-	-	-	0.057	1.45	0.32	0.068	1.73	0.37
1/4	0.540	13.7	-	-	-	-	-	-	0.073	1.85	0.54	0.088	2.24	0.63
3/8	0.675	17.1	-	-	-	-	-	-	0.073	1.85	0.70	0.091	2.31	0.84
1/2	0.840	21.3	-	-	-	-	-	-	0.095	2.41	1.12	0.109	2.77	1.27
3/4	1.050	26.7	-	-	-	-	-	-	0.095	2.41	1.44	0.113	2.87	1.69
1	1.315	33.4	-	-	-	-	-	-	0.114	2.90	2.18	0.133	3.38	2.50
1 1/4	1.660	42.2	-	-	-	-	-	-	0.117	2.97	2.87	0.140	3.56	3.39
1 1/2	1.900	48.3	-	-	-	-	-	-	0.125	3.18	3.53	0.145	3.68	4.05
2	2.375	60.3	-	-	-	-	-	-	0.125	3.18	4.48	0.154	3.91	5.44
2 1/2	2.875	73.0	-	-	-	-	-	-	0.188	4.78	8.04	0.203	5.16	8.63
3	3.500	88.9	-	-	-	-	-	-	0.188	4.78	9.92	0.216	5.49	11.29
3 1/2	4.000	101.6	-	-	-	-	-	-	0.188	4.78	11.41	0.226	5.74	13.57
4	4.500	114.3	-	-	-	-	-	-	0.188	4.78	12.91	0.237	6.02	16.07
5	5.563	141.3	-	-	-	-	-	-	-	-	-	0.258	6.55	21.77
6	6.625	168.3	-	-	-	-	-	-	-	-	-	0.280	7.11	28.26
8	8.625	219.1	-	-	-	0.250	6.35	33.31	0.277	7.04	36.81	0.322	8.18	42.55
10	10.750	273.0	-	-	-	0.250	6.35	41.77	0.307	7.80	51.03	0.365	9.27	60.31
12	12.750	323.8	-	-	-	0.250	6.35	49.73	0.330	8.38	65.20	0.406	10.31	79.73
14	14.000	355.6	0.250	6.35	54.69	0.312	7.92	67.90	0.375	9.53	81.33	0.438	11.13	94.55
16	16.000	406.4	0.250	6.35	62.64	0.312	7.92	77.83	0.375	9.53	93.27	0.500	12.70	123.30
18	18.000	457	0.250	6.35	70.57	0.312	7.92	87.71	0.438	11.13	122.38	0.562	14.27	155.80
20	20.000	508	0.250	6.35	78.55	0.375	9.53	117.15	0.500	12.70	155.12	0.594	15.09	183.42
22	22.000	559	0.250	6.35	86.54	0.375	9.53	129.13	0.500	12.70	171.09	-	-	-
24	24.000	610	0.250	6.35	94.53	0.375	9.53	141.12	0.562	14.27	209.64	0.688	17.48	255.41
26	26.000	660	0.312	7.92	127.360	.500	12.7020	2.72	-	-	-	-	-	-
28	28.000	711	0.312	7.92	137.32	0.500	12.70	218.69	0.625	15.88	271.21	-	-	-
30	30.000	762	0.312	7.92	147.28	0.500	12.70	234.67	0.625	15.88	292.18	-	-	-
32	32.000	813	0.312	7.92	157.24	0.500	12.70	250.64	0.625	15.88	312.15	0.688	17.48	342.91
34	34.000	864	0.312	7.92	167.20	0.500	12.70	266.61	0.625	15.88	332.12	0.688	17.48	364.90
36	36.000	914	0.312	7.92	176.96	0.500	12.70	282.27	0.625	15.88	351.70	0.750	19.05	420.42
38	38.000	965	-	-	-	-	-	-	-	-	-	-	-	-
40	40.0001	016	-	-	-	-	-	-	-	-	-	-	-	-
42	42.0001	067	-	-	-	-	-	-	-	-	-	-	-	-
44	44.000	1118	-	-	-	-	-	-	-	-	-	-	-	-
46	46.0001	168	-	-	-	-	-	-	-	-	-	-	-	-
48	48.0001	219	-	-	-	-	-	-	-	-	-	-	-	-

NOTES

- This specification is applicable to all steel pipe including stainless steel. Quoted weights are for carbon steel pipe and should be multiplied by 1.014 for austenitic and duplex steels, or by 0.985 for ferritic and martensitic steels.

DIMENSIONS AND WEIGHTS PER METRE - STEEL PIPE

ASTM Pipe

PIPE SIZES
ANSI/ASME
B36.10M

Nominal Pipe Size	OD		Schedule (STD)			Schedule 60			Extra Strong (XS)			Schedule 80		
	in	mm	in	mm	kg/m	in	mm	kg/m	in	mm	kg/m	in	mm	kg/m
1/8	0.405	10.3	0.068	1.73	0.37	-	-	-	0.095	2.41	0.47	0.095	2.41	0.47
1/4	0.540	13.7	0.088	2.24	0.63	-	-	-	0.119	3.02	0.80	0.119	3.02	0.80
3/8	0.675	17.1	0.091	2.31	0.84	-	-	-	0.126	3.20	1.10	0.126	3.20	1.10
1/2	0.840	21.3	0.109	2.77	1.27	-	-	-	0.147	3.73	1.62	0.147	3.73	1.62
3/4	1.050	26.7	0.113	2.87	1.69	-	-	-	0.154	3.91	2.20	0.154	3.91	2.20
1	1.315	33.4	0.133	3.38	2.50	-	-	-	0.179	4.55	3.24	0.179	4.55	3.24
1 1/4	1.660	42.2	0.140	3.56	3.39	-	-	-	0.191	4.85	4.47	0.191	4.85	4.47
1 1/2	1.900	48.3	0.145	3.68	4.05	-	-	-	0.200	5.08	5.41	0.200	5.08	5.41
2	2.375	60.3	0.154	3.91	5.44	-	-	-	0.218	5.54	7.48	0.218	5.54	7.48
2 1/2	2.875	73.0	0.203	5.16	8.63	-	-	-	0.276	7.01	11.41	0.276	7.01	11.41
3	3.500	88.9	0.216	5.49	11.29	-	-	-	0.300	7.62	15.27	0.300	7.62	15.27
3 1/2	4.000	101.6	0.226	5.74	13.57	-	-	-	0.318	8.08	18.63	0.318	8.08	18.63
4	4.500	114.3	0.237	6.02	16.07	-	-	-	0.337	8.56	22.32	0.337	8.56	22.32
5	5.563	141.3	0.258	6.55	21.77	-	-	-	0.375	9.53	30.97	0.375	9.53	30.97
6	6.625	168.3	0.280	7.11	28.26	-	-	-	0.432	10.97	42.56	0.432	10.97	42.56
8	8.625	219.1	0.322	8.18	42.55	0.406	10.31	53.08	0.500	12.70	64.64	0.500	12.70	64.64
10	10.750	273.0	0.365	9.27	60.31	0.500	12.70	81.55	0.500	12.70	81.55	0.594	15.09	96.01
12	12.750	323.8	0.375	9.53	73.88	0.562	14.27	108.96	0.500	12.70	97.46	0.688	17.48	132.08
14	14.000	355.6	0.375	9.53	81.33	0.594	15.09	126.71	0.500	12.70	107.39	0.750	19.05	158.10
16	16.000	406.4	0.375	9.53	93.27	0.656	16.66	160.12	0.500	12.70	123.30	0.844	21.44	203.53
18	18.000	457	0.375	9.53	105.16	0.750	19.05	205.74	0.500	12.70	139.15	0.938	23.83	254.55
20	20.000	508	0.375	9.53	117.15	0.812	20.62	247.83	0.500	12.70	155.12	1.031	26.19	311.17
22	22.000	559	0.375	9.53	129.13	0.875	22.23	294.25	0.500	12.70	171.09	1.125	28.58	373.83
24	24.000	610	0.375	9.53	141.12	0.969	24.61	355.26	0.500	12.70	187.06	1.219	30.96	442.08
26	26.000	660	0.375	9.53	152.87	-	-	-	0.500	12.70	202.72	-	-	-
28	28.000	711	0.375	9.53	164.85	-	-	-	0.500	12.70	218.69	-	-	-
30	30.000	762	0.375	9.53	176.84	-	-	-	0.500	12.70	234.67	-	-	-
32	32.000	813	0.375	9.53	188.82	-	-	-	0.500	12.70	250.64	-	-	-
34	34.000	864	0.375	9.53	200.31	-	-	-	0.500	12.70	266.61	-	-	-
36	36.000	914	0.375	9.53	212.56	-	-	-	0.500	12.70	282.27	-	-	-
38	38.000	965	0.375	9.53	224.54	-	-	-	0.500	12.70	298.24	-	-	-
40	40.000	1016	0.375	9.53	236.53	-	-	-	0.500	12.70	314.22	-	-	-
42	42.000	1067	0.375	9.53	248.52	-	-	-	0.500	12.70	330.19	-	-	-
44	44.000	1118	0.375	9.53	260.50	-	-	-	0.500	12.70	346.16	-	-	-
46	46.000	1168	0.375	9.53	272.25	-	-	-	0.500	12.70	351.82	-	-	-
48	48.000	1219	0.375	9.53	284.24	-	-	-	0.500	12.70	377.79	-	-	-

NOTES

- This specification is applicable to all steel pipe including stainless steel. Quoted weights are for carbon steel pipe and should be multiplied by 1.014 for austenitic and duplex steels, or by 0.985 for ferritic and martensitic steels.

ASTM Pipe

PIPE SIZES
ANSI/ASME
B36.10M

DIMENSIONS AND WEIGHTS PER METRE - STEEL PIPE

Nominal Pipe Size	OD		Schedule 100			Schedule 120			Schedule 140			Schedule 160		
	in	mm	in	mm	kg/m	in	mm	kg/m	in	mm	kg/m	in	mm	kg/m
1/2	0.840	21.3	-	-	-	-	-	-	-	-	-	0.188	4.78	1.95
3/4	1.050	26.7	-	-	-	-	-	-	-	-	-	0.219	5.56	2.90
1	1.315	33.4	-	-	-	-	-	-	-	-	-	0.250	6.35	4.24
1 1/4	1.660	42.2	-	-	-	-	-	-	-	-	-	0.250	6.35	5.61
1 1/2	1.900	48.3	-	-	-	-	-	-	-	-	-	0.281	7.14	7.25
2	2.375	60.3	-	-	-	-	-	-	-	-	-	0.344	8.74	11.11
2 1/2	2.875	73.0	-	-	-	-	-	-	-	-	-	0.375	9.53	14.92
3	3.500	88.9	-	-	-	-	-	-	-	-	-	0.438	11.13	21.35
3 1/2	4.000	101.6	-	-	-	-	-	-	-	-	-	-	-	-
4	4.500	114.3	-	-	-	0.438	11.13	28.32	-	-	-	0.531	13.49	33.54
5	5.563	141.3	-	-	-	0.500	12.70	40.28	-	-	-	0.625	15.88	49.11
6	6.625	168.3	-	-	-	0.562	14.27	54.20	-	-	-	0.719	18.26	67.56
8	8.625	219.1	0.594	15.09	75.92	0.719	18.26	90.44	0.812	20.62	100.92	0.906	23.01	111.27
10	10.750	273.0	0.719	18.26	114.75	0.844	21.44	133.06	1.000	25.40	155.15	1.125	28.58	172.33
12	12.750	323.8	0.844	21.44	159.91	1.000	25.40	186.97	1.125	28.58	208.14	1.312	33.32	238.76
14	14.000	355.6	0.938	23.83	194.96	1.094	27.79	224.65	1.250	31.75	253.56	1.406	35.71	281.70
16	16.000	406.4	1.031	26.19	245.56	1.219	30.96	286.64	1.438	36.53	333.19	1.594	40.49	365.35
18	18.000	457	1.156	29.36	309.62	1.375	34.93	363.56	1.562	39.67	408.26	1.781	45.24	459.37
20	20.000	508	1.281	32.54	381.53	1.500	38.10	441.49	1.750	44.45	508.11	1.969	50.01	564.81
22	22.000	559	1.375	34.93	451.42	1.625	41.28	527.02	1.875	47.63	600.63	2.125	53.98	672.26
24	24.000	610	1.531	38.89	547.71	1.812	46.02	640.03	2.062	52.37	720.15	2.344	59.54	808.22

Nominal Pipe Size	OD		Double Extra Strong (XXS)		
	in	mm	in	mm	kg/m
1/2	0.840	21.3	0.294	7.47	2.55
3/4	1.050	26.7	0.308	7.82	3.64
1	1.315	33.4	0.358	9.09	5.45
1 1/4	1.660	42.2	0.382	9.70	7.77
1 1/2	1.900	48.3	0.400	10.15	9.56
2	2.375	60.3	0.436	11.07	13.44
2 1/2	2.875	73.0	0.552	14.02	20.39
3	3.500	88.9	0.600	15.24	27.68

Nominal Pipe Size	OD		Double Extra Strong (XXS)		
	in	mm	in	mm	kg/m
Pipe Sizes Continued...					
3 1/2	4.000	101.6	-	-	-
4	4.500	114.3	0.674	17.12	41.03
5	5.563	141.3	0.750	19.05	57.43
6	6.625	168.3	0.864	21.95	79.22
8	8.625	219.1	0.875	22.23	107.92
10	10.750	273.0	1.000	25.40	155.15
12	12.750	323.8	1.000	25.40	186.97

NOTES

- This specification is applicable to all steel pipe including stainless steel. Quoted weights are for carbon steel pipe and should be multiplied by 1.014 for austenitic and duplex steels, or by 0.985 for ferritic and martensitic steels.

ASTM Pipe
CHEMICAL
COMPOSITIONS
ASTM
A240/A240M

Grade	UNS	Composition Percentage, Max or Range																		
		Carbon C	Manganese Mn	Phosphorus P	Sulphur S	Silicon Si	Nickel Ni	Chromium Cr	Molybdenum Mo	Titanium Ti	Niobium Nb	Tantalum Ta	Nitrogen N	Vanadium Va	Copper Cu	Cerium Ce	Boron Bo	Aluminium Al	Tungsten W	Selenium Se
201	S20100	0.15	5.50-7.50	0.060	0.030	1.00	3.5-5.5	16.0-18.0	-	-	-	-	0.25	-	-	-	-	-	-	-
202	S20200	0.15	7.50-10.0	0.060	0.030	1.00	4.0-6.0	17.0-19.0	-	-	-	0.25	-	-	-	-	-	-	-	-
301	S30100	0.15	2.00	0.045	0.030	1.00	6.0-8.0	16.0-18.0	-	-	-	0.10	-	-	-	-	-	-	-	-
302	S30200	0.15	2.00	0.045	0.030	0.75	8.0-10.0	17.0-19.0	-	-	-	0.10	-	-	-	-	-	-	-	-
304	S30400	0.07	2.00	0.045	0.030	0.75	8.0-10.5	17.5-19.5	-	-	-	0.10	-	-	-	-	-	-	-	-
304L	S30403	0.030	2.00	0.045	0.030	0.75	8.0-12.0	17.5-19.5	-	-	-	0.10	-	-	-	-	-	-	-	-
304H	S30409	0.04-0.10	2.00	0.045	0.030	0.75	8.0-10.5	18.0-20.0	-	-	-	-	-	-	-	-	-	-	-	-
309S	S30908	0.08	2.00	0.045	0.030	0.75	12.0-15.0	22.0-24.0	-	-	-	-	-	-	-	-	-	-	-	-
310S	S31008	0.08	2.00	0.045	0.030	1.50	19.0-22.0	24.0-26.0	-	-	-	-	-	-	-	-	-	-	-	-
310H	S31009	0.04-0.10	2.00	0.045	0.030	0.75	19.0-22.0	24.0-26.0	-	-	-	-	-	-	-	-	-	-	-	-
316	S31600	0.08	2.00	0.045	0.030	0.75	10.0-14.0	16.0-18.0	2.0-3.0	-	-	0.10	-	-	-	-	-	-	-	-
316L	S31603	0.03	2.00	0.045	0.030	0.75	10.0-14.0	16.0-18.0	2.0-3.0	-	-	0.10	-	-	-	-	-	-	-	-
316H	S31609	0.04-0.10	2.00	0.045	0.030	0.75	10.0-14.0	16.0-18.0	2.0-3.0	-	-	-	-	-	-	-	-	-	-	-
317	S31700	0.08	2.00	0.045	0.030	0.75	11.0-15.0	18.0-20.0	3.0-4.0	-	-	0.10	-	-	-	-	-	-	-	-
317L	S31703	0.03	2.00	0.045	0.030	0.75	11.0-15.0	18.0-20.0	3.0-4.0	-	-	0.10	-	-	-	-	-	-	-	-
321	S32100	0.08	2.00	0.045	0.030	0.75	9.0-12.0	17.0-19.0	5x(C+N) min 0.70 max	-	-	0.10	-	-	-	-	-	-	-	-
347	S34700	0.08	2.00	0.045	0.030	0.75	9.0-13.0	17.0-19.0	10xC min 1.00 max	-	-	-	-	-	-	-	-	-	-	-
409	S40910	0.03	1.00	0.040	0.020	1.00	0.50	10.5-11.5	-	-	-	0.03	-	-	-	-	-	-	-	-
410	S41000	0.08-0.15	1.00	0.040	0.030	1.00	0.75	11.5-13.5	-	-	-	-	-	-	-	-	-	-	-	-
430	S43000	0.12	1.00	0.040	0.030	1.00	0.75	16.0-18.0	-	-	-	-	-	-	-	-	-	-	-	-
439	S43035	0.03	1.00	0.040	0.030	1.00	0.050	17.0-19.0	0.20+ 4(C+N) min 1.10 max	-	-	0.03	-	-	-	-	0.15	-	-	-

ASTM Pipe

DIMENSIONAL TOLERANCES ASTM A530/A530M

STANDARD CROSS-SECTION AND WEIGHT TOLERANCES (ASTM A530/A530M)

NPS	Outside Diameter (OD) ¹				Wall Thickness (t) ²		Weight ³	
	Under		Over		Under	Over	Under	Over
	in	mm	in	mm	%	%	%	%
1/8 to 1 1/2	0.031	0.8	0.015	0.4	12.5	20	3.5	10
> 1 1/2 to 4	0.031	0.8	0.031	0.8	12.5	20	3.5	10
> 4 to 8	0.031	0.8	0.062	1.6	12.5	22.5	3.5	10
> 8 to 12	0.031	0.8	0.093	2.4	12.5	22.5	3.5	10
> 12 to 18	0.031	0.8	0.093	2.4	12.5	22.5	5	10
> 18 to 26	0.031	0.8	0.125	3.2	12.5	22.5	5	10
> 26 to 34	0.031	0.8	0.156	4.0	12.5	22.5	5	10
> 34 to 48	0.031	0.8	0.187	4.8	12.5	22.5	5	10

NOTES

- 1 Includes ovality tolerance except for thin wall pipe (i.e. $t > 3\%$ OD).
- 2 Min wall thickness = Nominal wall thickness (t) x 0.875. Not applicable if filler metal added.
- 3 Refer to pages 3-6 for standard pipe weights. For non standard pipes $W(\text{lb/ft}) = 10.68(\text{OD}-t)t$,
or $W(\text{kg/m}) = 0.02466(\text{OD}-t)t$

STANDARD CUT LENGTHS: Pipe ordering alternatives are:

Random: Standard lengths are in the range 15 to 24ft. Shorter lengths as agreed with the purchaser.

Specified Lengths: Cut lengths as specified, with end finish also specified.

LENGTH TOLERANCES: No pipe shall be shorter than specified. No pipe shall be more than 1/4in (6mm) longer than specified. Tighter tolerances may be specified, e.g. for bevelled pipe.

STRAIGHTNESS: All finished pipe shall be reasonably straight. For metal-arc welded pipe maximum deviation from straight = 1/8in (3.2mm) in 10ft (3m).

SEAMLESS AND WELDED AUSTENITIC STAINLESS STEEL PIPES

This specification covers austenitic steel pipe intended for high temperature and general corrosive service. H grades in the chemical composition table are specifically for high temperature service.

MANUFACTURE

In order to comply with this specification welded pipe must be manufactured by an automatic welding process using no filler metal, or it must be a seamless pipe. If a welded pipe has a nominal pipe size greater than 14 then it may be constructed from two longitudinal sections, and hence have two longitudinal welds. The pipe may be either hot finished or cold finished.

FINISH AND REPAIR

FINISH: The surface of the pipe must be clean and free of scale and contaminating iron particles. It can be bright annealed but may be pickled, blasted or can be passivated.

REPAIR BY WELDING: Permitted on $\leq 20\%$ of the weld seam length of welded pipe if \geq NPS 6 and having a wall thickness ≥ 0.200 in (mm). Tungsten-arc welding process is used for repairs, with filler metal to a grade as specified in A312 (not repeated here). Weld repairs must be identified on the pipe and in test certificate.

TENSILE REQUIREMENTS

Grade	UNS	Tensile Strength min		Yield Strength min		Elongation in 2in (50mm) or 4D min	
		ksi	MPa	ksi	MPa	Longit %	Trans %
All	All	75	515	30	205	35	25
All = All grades listed in the chemical composition table except those listed below							
TP304L	S30403	70	485	25	170	35	25
TP304N	S30451	80	550	35	240	35	25
	S31272	65	450	29	200	35	25
TP316L	S31603	70	485	25	170	35	25
TP316N	S31651	80	550	35	240	35	25
TP321	S32100	75(70 ¹)	515(485 ¹)	30(25 ¹)	205(170 ¹)	35	25
TP321H	S32109	75(70 ¹)	515(485 ¹)	30(25 ¹)	205(170 ¹)	35	25

NOTES

1 Values for wall thickness $> \frac{3}{8}$ in (9.5mm)

ASTM Pipe

PIPE SPECIFICATIONS ASTM A312/A312M

ASTM Pipe

PIPE SPECIFICATIONS

ASTM A358/A358M

ELECTRIC-FUSION-WELDED AUSTENITIC CHROMIUM-NICKEL ALLOY STEEL PIPE FOR HIGH-TEMPERATURE SERVICE

This specification covers electric-fusion-welded austenitic chromium-nickel alloy steel pipe suitable for high temperature and general corrosive service.

TOLERANCES

- **TOLERANCES:** ASTM A530 requirements, apply unless otherwise stated below.
- **OUTSIDE DIAMETER:** $\pm 0.5\%$ of specified OD.
- **WALL THICKNESS:** Minimum wall thickness shall be ≤ 0.01 in (0.3mm) under nominal thickness.
- **OUT-OF-ROUNDNESS:** Major and minor outside diameters to differ by less than 1%.
- **ALIGNMENT:** The gap between the pipe and a 10ft (3m) straight edge shall $\leq \frac{1}{8}$ in (3mm).

FINISH AND REPAIR

- **APPEARANCE:** Finished pipe will have a workmanlike finish.
- **PLATE DEFECT REPAIR BY GRINDING:** Defects may be repaired by machining or grinding, provided the wall thickness is not reduced below the minimum.
- **PLATE DEFECT REPAIR BY WELDING:** Defects which give unsatisfactory wall thicknesses can be repaired by welding if the purchaser agrees. Repair welds must be suitably NDT examined or lengths pressure tested if repair depth is $> \frac{1}{4}$ wall thickness.
- **FINISH:** Pipe will be free of scale and contaminating iron particles. Bright annealed pipe need not be pickled, or blasted. The purchaser may request a passivating treatment.

Introduction

TUBE SPECIFICATIONS

ASTM Standards covered in this section	
ASTM Tube – General Requirements	
A450/A450	General Requirements for Carbon, Ferritic Alloy, and Austenitic Alloy Steel Tubes
A370	Mechanical Testing of Steel Products
A213/A213M	Seamless Ferritic and Austenitic Alloy-Steel Boiler, Superheater and Heat Exchanger and Condenser Tubes
A249/A249M	Welded Austenitic Steel Boiler, Superheater, Heat Exchanger and Condenser Tubes
A268/A268M	Seamless and Welded Ferritic and Martensitic Stainless Steel Tubing for General Service
A269	Seamless and Welded Austenitic Stainless Steel Tubing for General Service
A270	Seamless and Welded Austenitic Stainless Steel Sanitary Tubing
A511	Seamless Stainless Steel Mechanical Tubing
A554	Welded Stainless Steel Mechanical Tubing
A632	Seamless and Welded Austenitic Stainless Steel Tubing (small diameter) for General Service
A778	Welded, Unannealed Austenitic Stainless Steel Tubular Products
A789/A789M	Seamless and Welded Ferritic/Austenitic (Duplex) Stainless Steel Tubing for General Service
A791/A791M	Welded, Unannealed Ferritic Stainless Steel Tubing
A803/A803M	Welded Ferritic Stainless Steel Feedwater Heater Tubes

MARKINGS ON THE TUBE

The full identification should be continuously marked down the whole length, including:

- Size: Outside Diameter (O/D) and Wall Thickness
- Specification
- Grade
- Method of Manufacture (Seamless or Welded)
- Heat Number
- Manufacturer's Name or Symbol

HYGIENIC TUBING

Please see separate section on page 64.

METRIC ND TUBING

Please see separate section on page 77.

TUBE SIZE RANGES

An extensive size range is available. Non-standard tube sizes may be subject to mill quantity restrictions and extended delivery times.

Below is a guide to the sizes readily available on an ex-stock basis:

HYPODERMIC TUBE from 0.4mm to 5mm O/D with wall thickness 0.05mm to 0.4mm.

INSTRUMENTATION TUBE in straight lengths or continuous coils of up to 1,000 metres long: O/Ds 6mm, 8mm, 10mm and 12mm with heavy wall thicknesses, typically 0.5mm, 1mm, 1.5mm or 2mm.

METRIC SIZES from 6mm O/D to 610mm O/D with wall thickness 1mm to 6mm.

IMPERIAL SIZES from 1/8" O/D to 6" O/D with wall thickness from 24swg to 10swg.

HYGIENIC/SANITARY TUBE:

- Imperial sizes to ASTM A270: 1/2", 1", 1 1/2", 2", 2 1/2", 3" & 4" O/D with 16swg wall and 4" O/D with 14swg wall
- Metric sizes to DIN 11850: 1", 1 1/2", 2", 2 1/2" & 3" O/D with 1.5mm wall and 4" O/D with 2mm wall.

WELDED TUBE - WATER INDUSTRY from 18mm O/D x 1.5mm wall to 910mm O/D x 5mm wall.

WELDED TUBE - AUTO EXHAUST SYSTEMS, mostly in grade 409 - A limited size range from 35mm to 63mm O/D with wall thickness 1.2mm to 2mm.

WELDED TUBE DECORATIVE & STRUCTURAL:

- Round in metric and imperial O/D sizes from 6mm O/D x 1.0mm wall to 100mm O/D x 3mm wall and 1/8" O/D x 24swg to 4" O/D x 1/4" wall.
- Square in metric and imperial O/D sizes from 12.7mm O/D x 1.5mm wall to 250mm x 250 x 10mm wall.
- Rectangular in metric sizes from 20mm x 10mm x 1.2mm wall to 300mm x 200mm x 10mm wall.
- Other items include Oval, Handrail and Textured Finish – Most common oval size is 60mm x 33mm x 2.0mm wall.
- Note that most decorative tubes are supplied with a polished finish.

ASTM Tube

ASTM Tube

TUBE SIZES
GENERAL
PURPOSE
SEAMLESS TUBE

The following table lists tube sizes commonly manufactured to ASTM A269 or ASTM A511. The tables are based on manufacturer’s information.

IMPERIAL DIMENSIONS AND WEIGHTS PER METRE

OD in	Wall thickness, in													
	0.020	0.022	0.028	0.035	0.036	0.048	0.064	0.080	0.104	0.125	0.188	0.250	0.375	
1/8	0.034	0.037	0.044		0.052									
3/16		0.059	0.072		0.088	0.109								
1/4	0.075	0.081	0.101		0.125	0.157	0.193							
5/16			0.129		0.161	0.206	0.258							
3/8			0.157		0.200	0.254	0.323	0.383		0.507				
7/16					0.234		0.390							
1/2			0.214	0.264	0.273	0.352	0.452	0.545		0.760				
5/8					0.344	0.449	0.582	0.714		1.01				
3/4					0.417	0.546	0.712	0.869	1.09	1.27	1.71			
7/8						0.643	0.841	1.03		1.52				
1					0.563	0.741	0.971	1.19	1.51	1.77	2.48	3.04	3.80	
1 1/8						0.838	1.10							
1 1/4						0.944	1.23	1.52		2.28				
1 3/8					0.781		1.36							
1 1/2					0.854		1.49	1.84		2.79	4.00	5.07		
1 5/8							1.62							
1 3/4						1.32	1.75			3.29				
2							2.01			3.80		7.09		
2 1/4										4.31		8.11		
2 1/2							2.53			4.81		9.12		
2 3/4							2.79							
3							3.05	3.79		5.83		11.1		
3 1/2												13.2		
4										7.85		15.2		
5												19.4		
6												23.5		

METRIC DIMENSIONS AND WEIGHTS PER METRE

OD mm	Wall thickness, mm						
	0.5	1.0	1.5	2.0	2.5	3.0	4.0
Weight, kg/m (conventional weights)							
6	0.069	0.126	0.170				
8		0.176	0.245				
10		0.226	0.321	0.403			
12		0.277	0.369	0.503			
14			0.462	0.604			
15		0.352	0.510	0.654			
16			0.547	0.705			
18			0.623				
20			0.698	0.888		1.28	
22			0.774	1.02			
25			0.887	1.16	1.43	1.66	
28			1.00	1.31			
30				1.41		2.04	
36				1.66			
38						2.64	3.42
40				1.91			
42				2.01			
50				2.42			

ASTM Tube

TUBE SIZES
GENERAL
PURPOSE
SEAMLESS TUBE

NOTES

- Conventional weights are quoted in both tables above.
 - For austenitic and duplex steels multiply the quoted weight by 1.014.
 - For ferritic and martensitic steels multiply the quoted weight by 0.985.

ASTM Tube

TUBE SIZES HEAT EXCHANGER TUBE

CHEMICAL AND PETROCHEMICAL PIPE AND TUBE

This heading covers a broad spectrum of industries including chemical, petrochemical, offshore, process, power generation, nuclear, mining and mineral/metal processing, pulp and paper.

For a full list of Standard Wire Gauge (SWG) and Birmingham Wire Gauge (BWG) dimensions please refer to charts on page 87.

HEAT EXCHANGER TUBE - PRINCIPAL SWG SIZES

Outside Diameter		Standard Wire Gauge (SWG)								
		22 (0.711mm)	20 (0.914mm)	18 (1.218mm)	16 (1.625mm)	14 (2.032mm)	12 (2.641mm)	11 (2.946mm)	10 (3.251mm)	
in	mm	Weight, kg/m (average wall ¹)								
¼	0.250	6.350	-	0.124	0.157	0.192	-	-	-	-
⅓	0.313	7.950	-	0.161	0.205	0.257	-	-	-	-
½	0.375	9.525	-	0.197	0.253	0.321	0.381	-	-	-
⅝	0.500	12.700	0.213	0.270	0.350	0.451	0.543	0.665	0.720	-
¾	0.625	15.875	0.270	0.342	0.447	0.580	0.704	0.875	0.954	-
⅞	0.750	19.050	-	0.415	0.544	0.709	0.866	1.09	1.19	1.29
1	0.875	22.225	0.383	0.488	0.641	0.838	1.03	1.30	1.42	1.55
1 ¼	1.000	25.400	0.440	0.560	0.738	0.967	1.19	1.51	1.66	1.80
1 ½	1.250	31.750	0.553	0.706	0.931	1.23	1.51	1.93	2.13	2.32
1 ¾	1.500	38.100	0.666	0.851	1.13	1.48	1.84	2.35	2.59	2.84
2	1.750	44.450	0.779	0.996	1.32	1.74	2.16	2.77	3.06	3.35
2 ½	2.000	50.800	0.892	1.14	1.51	2.00	2.48	3.19	3.53	3.87
3	2.500	63.500	-	-	1.90	2.52	3.13	4.03	4.47	4.91
3 ½	3.000	76.200	-	-	2.29	3.03	3.77	4.87	5.40	5.94
4	3.500	88.900	-	-	2.67	3.55	4.42	5.70	6.34	6.97
4 ½	4.000	101.60	-	-	3.06	4.07	5.07	6.54	7.28	8.01

NOTES

- Conventional weights are quoted, assuming the tube is specified as average wall. Add 10% to the weight for minimum wall tube. Multiply quoted weights by 1.014 for austenitic and duplex steels, by 0.985 for ferritic and martensitic steels.
 - Refer to page 87 for a full list of SWG numbers and equivalent wall thicknesses.

HEAT EXCHANGER TUBE - PRINCIPAL BWG SIZES

ASTM Tube

TUBE SIZES
HEAT
EXCHANGER
TUBE

Outside Diameter		Birmingham Wire Gauge (BWG)									
		20 (0.889mm)	18 (1.245mm)	16 (1.651mm)	15 (1.829mm)	14 (2.108mm)	13 (2.413mm)	12 (2.769mm)	11 (3.048mm)	10 (3.403mm)	
in	mm	Weight, kg/m (average wall ¹)									
¼	0.250	6.350	0.12	0.16	0.19	-	-	-	-	-	-
⅓	0.313	7.950	0.15	0.21	0.25	0.28	-	-	-	-	-
⅔	0.375	9.525	0.19	0.25	0.31	0.34	0.39	-	-	-	-
½	0.500	12.700	0.25	0.34	0.45	0.49	0.55	0.61	0.68	0.72	-
⅝	0.625	15.875	0.33	0.45	0.58	0.64	0.71	0.80	0.89	0.97	-
¾	0.750	19.050	0.40	0.55	0.72	0.77	0.88	0.98	1.12	1.20	1.31
⅞	0.875	22.225	0.46	0.64	0.83	0.92	1.04	1.18	1.32	1.44	1.58
1	1.000	25.400	0.54	0.74	0.97	1.06	1.21	1.37	1.55	1.68	1.92
1⅛	1.125	28.575	0.61	0.83	1.10	1.21	1.37	1.56	1.76	1.92	2.11
1¼	1.250	31.750	0.68	0.94	1.23	1.35	1.53	1.76	1.96	2.16	2.40
1⅝	1.375	34.925	0.74	1.03	1.35	1.49	1.70	1.93	2.19	2.40	2.65
1½	1.500	38.100	0.82	1.13	1.49	1.64	1.87	2.17	2.40	2.63	2.92
1¾	1.750	44.450	0.97	1.32	1.74	1.92	2.20	2.50	2.84	3.10	3.44
2	2.000	50.800	-	1.52	1.99	2.20	2.53	2.89	3.27	3.59	3.97
2¼	2.250	57.150	-	1.73	2.26	2.48	2.87	3.26	3.70	4.06	4.51
2⅝	2.375	60.325	-	1.81	2.38	2.63	3.02	3.44	3.93	4.30	4.78
2½	2.500	63.500	-	1.91	2.52	2.78	3.18	3.66	4.14	4.54	5.04
2⅞	2.875	73.025	-	2.20	2.90	3.20	3.68	4.20	4.79	5.25	5.83
3	3.000	76.200	-	2.31	3.04	3.35	3.85	4.39	5.00	5.49	6.10
3½	3.500	88.900	-	2.69	3.56	3.93	4.51	5.15	5.86	6.44	7.17
4	4.000	101.60	-	-	4.11	4.54	5.21	5.95	6.80	7.47	8.30

NOTES

- 1 Conventional weights are quoted, assuming the tube is specified as average wall.
Add 10% to the weight for minimum wall tube.
Multiply quoted weights by 1.014 for austenitic and duplex steels, by 0.985 for ferritic and martensitic steels.
- Refer to page 87 for a full list of BWG numbers and equivalent wall thicknesses.

ASTM Tube

TUBE SIZES INSTRUMENTATION TUBING AND CAPILLARY TUBING

INSTRUMENTATION AND HYDRAULIC CONTROL TUBING

OD mm	Wall thickness, mm			
	0.5	1.0	1.5	2.0
6	0.069	0.126	0.170	
8		0.176	0.245	
10		0.226	0.321	0.403
12		0.277	0.369	0.503
14			0.462	0.604
15		0.352	0.510	0.654

NOTES

- Conventional weights are quoted in the table above.
 - For austenitic stainless steels multiply the quoted weight by 1.014.
 - For ferritic and martensitic steels multiply the quoted weight by 0.985.

CAPILLARY OR HYPODERMIC TUBING - TYPICAL SIZES

Outside Diameter		Wall thickness
in	mm	mm
1/32	0.79	0.20
0.040	1.02	0.20
0.049	1.25	0.20
0.050	1.27	0.20
1/16	1.63	0.15 / 0.20 / 0.25 / 0.30 / 0.40 / 0.51 / 0.56
0.072	1.83	0.23
0.083	2.11	0.25
3/32	2.38	0.15 / 0.20 / 0.30 / 0.40 / 0.51 / 0.91
0.118	3.00	0.30 / 0.50 / 0.70 / 0.90
1/8	3.18	0.20 / 0.25 / 0.51 / 0.81 / 0.91 / 1.22
0.138	3.51	0.40
5/32	3.97	0.25 / 0.40 / 0.56 / 0.71 / 0.91
0.157	4.00	0.70 / 0.90 / 1.00
0.177	4.50	0.50
3/16	4.76	0.13 / 0.20 / 0.25 / 0.40 / 0.46 / 0.51 / 0.56 / 0.71 / 0.81 / 0.91 / 1.22 / 1.63
0.197	5.00	0.50 / 0.75 / 1.00 / 1.50

NOTES

- When this tubing is used with compression fittings there is a maximum hardness requirement.

Significant quantities of stainless steel tubing are used for structural and decorative (ornamental) applications. Most of the tubing used in these applications is HF welded, although some TIG welded is also used.

Structural tubing may be specified to ASTM A554, Welded Stainless Steel Mechanical Tubing.

ASTM Tube

TUBE SIZES STRUCTURAL AND DECORATIVE TUBING

SQUARE STRUCTURAL AND DECORATIVE TUBE - TYPICAL SIZES

Square size: Outside Dimensions		Wall thickness, mm									
		1.0	1.2	1.5	2.0	3.0	4.0	5.0	6.0	8.0	10.0
mm	in	Weight, kg/m (austenitic stainless steel)									
10.00		0.34									
12.70	1/2	0.37	0.44	0.55							
15.00			0.53	0.65							
20.00		0.60	0.71	0.88	1.19						
22.00			0.79								
25.00			0.92	1.14	1.49	2.20					
25.40	1		0.97	1.10							
30.00			1.10	1.37	1.84	2.72					
32.00	1 1/4		1.20	1.47							
35.00				1.62	2.15						
38.00	1 1/2		1.37	1.75	2.31	3.51					
40.00			1.49	1.85	2.45	3.75	4.80				
50.00				2.32	3.08	4.65	5.96	7.41			
60.00				2.80	3.71	5.49	7.22	8.90			
70.00					4.38	6.53	8.45	10.6			
80.00					4.98	7.53	9.81	12.3			
100.00	4				6.40	9.53	12.4	15.3	17.5	21.6	
120.00						11.8	14.7	18.0			36.0
150.00						14.0	18.6	23.0	31.2	34.3	41.7
200.00						19.1	24.8	30.8	35.0	47.3	57.6
250.00								37.1		59.9	73.5

NOTES

- This table is based on manufacturer's data.
- For ferritic and martensitic steel multiply the quoted austenitic steel weight by 0.97.

ASTM Tube

TUBE SIZES
STRUCTURAL AND
DECORATIVE
TUBING

RECTANGULAR STRUCTURAL AND DECORATIVE TUBE - TYPICAL SIZES

Size: Outside Dimensions mm	Wall thickness, mm									
	1.0	1.2	1.5	2.0	3.0	4.0	5.0	6.0	8.0	10.0
Weight, kg/m (austenitic stainless steel)										
20 x 10	0.30	0.35	0.44							
25 x 10			0.59							
25 x 15		0.72	0.90							
30 x 10		0.71	0.90							
30 x 15		0.82	0.76							
30 x 20		0.92	1.14	1.49						
40 x 15		1.01	1.25							
40 x 20		1.10	1.37	1.84						
40 x 30			1.61	2.13						
50 x 25		1.41	1.75	2.31						
50 x 30			1.85		3.61					
50 x 40					4.08					
60 x 20			1.85	2.45						
60 x 30				2.80	4.13					
60 x 40			2.32	3.08	4.65	5.60				
70 x 40				3.40						
80 x 40			2.80	3.71	5.49	7.22	8.94			
80 x 60				4.38	6.53					
100 x 40			3.29		6.53					
100 x 50				4.68	6.95	9.09	11.3			
100 x 60				4.98	7.53	9.81	12.3			
120 x 40				4.98	7.53					
120 x 60				5.64	8.12	11.1	13.8			
120 x 80					9.53	12.4	15.4	17.3		
150 x 50					9.53					
150 x 80					10.7					
150 x 100					11.7	15.4	18.8	22.6	27.9	
200 x 100					14.06	18.5	22.6	27.1	34.3	41.7
200 x 150								31.6	41.3	
250 x 150								36.9	47.3	
300 x 100									47.3	

NOTES

- This table is based on manufacturer's data.
- For ferritic and martensitic steel multiply the quoted austenitic steel weight by 0.97.

ROUND STRUCTURAL AND DECORATIVE TUBE - TYPICAL SIZES

ASTM Tube

TUBE SIZES
STRUCTURAL AND
DECORATIVE
TUBING

Outside Diameter (OD)		Wall thickness, mm						
		1.0	1.2	1.5	2.0	2.5	3.0	4.0
mm	in	Weight, kg/m (austenitic stainless steel)						
12.70	½	0.29	0.35	0.42	0.54	0.64	0.73	-
14.00		0.33	0.39	0.47	0.60	0.72	0.83	-
15.00		0.35	0.42	0.51	0.65	0.78	0.90	-
15.88	⅝	0.37	0.44	0.54	0.70	0.84	0.97	-
16.00		0.38	0.45	0.55	0.70	0.85	0.98	1.20
18.00		0.43	0.51	0.62	0.80	0.97	1.13	1.40
19.05	¾	0.45	0.54	0.66	0.85	1.04	1.21	1.51
20.00		0.48	0.57	0.70	0.90	1.10	1.28	1.60
22.00		0.53	0.63	0.77	1.00	1.22	1.43	1.80
22.22	⅞	0.53	0.63	0.78	1.01	1.23	1.44	1.83
23.00		0.55	0.66	0.81	1.05	1.28	1.50	1.90
25.00		0.60	0.72	0.88	1.15	1.41	1.65	2.10
25.40	1	0.61	0.73	0.90	1.17	1.43	1.68	2.14
28.00		0.68	0.81	1.00	1.30	1.60	1.88	2.40
28.57	1⅛	0.69	0.82	1.02	1.33	1.63	1.92	2.46
30.00		0.73	0.87	1.07	1.40	1.72	2.03	2.60
31.75	1¼	0.77	0.92	1.14	1.49	1.83	2.16	2.78
32.00		0.78	0.92	1.15	1.50	1.85	2.18	2.80
34.00		0.83	0.99	1.22	1.60	1.97	2.33	3.00
35.00		0.85	1.02	1.26	1.65	2.03	2.40	3.10
38.10	1½	0.93	1.11	1.37	1.81	2.23	2.64	3.42
40.00		0.98	1.17	1.45	1.90	2.35	2.78	3.61
42.00		1.03	1.23	1.52	2.00	2.47	2.93	3.81
44.45	1¾	1.09	1.30	1.61	2.13	2.63	3.11	4.05
45.00		1.10	1.32	1.63	2.15	2.66	3.15	4.11
48.30		1.18	1.42	1.76	2.32	2.87	3.40	4.44
50.00		1.23	1.47	1.82	2.40	2.97	3.53	4.61
50.80	2	1.25	1.49	1.85	2.44	3.02	3.59	4.69
51.00		1.25	1.50	1.86	2.45	3.04	3.61	4.71
53.00		1.30	1.56	1.93	2.55	3.16	3.76	4.91
54.00		1.33	1.59	1.97	2.60	3.22	3.83	5.01
55.00		1.35	1.62	2.01	2.65	3.29	3.91	5.11
58.00		1.43	1.71	2.12	2.80	3.47	4.13	5.40
60.00		1.48	1.77	2.20	2.90	3.60	4.30	5.60
63.50	2½	1.56	1.87	2.33	3.08	3.82	4.50	6.00
65.00		1.60	1.92	2.38	3.15	3.90	4.70	6.10
70.00		1.73	2.07	2.57	3.41	4.20	5.00	6.60
76.10	3	1.88	2.25	2.80	3.70	4.60	5.50	7.20
80.00		1.98	2.37	2.95	3.90	4.90	5.80	7.60
85.00		2.10	2.52	3.10	4.20	5.20	6.20	8.10
101.60	4	-	3.02	3.80	5.00	6.20	7.40	9.80

NOTES

- For ferritic and martensitic steel multiply the quoted austenitic steel weight by 0.97.

ASTM Tube

CHEMICAL COMPOSITIONS AND DIMENSIONAL TOLERANCES

CHEMICAL COMPOSITIONS

See ASTM A240/240M on page 7.

STANDARD TOLERANCES FOR WELDED AND SEAMLESS COLD FINISHED TUBE (ASTM A450/A450M)

(OD)		Variations in OD ¹				Variation in t _{min} ²	
		Under		Over		Under	Over
in	mm	in	mm	in	mm	%	%
<1	<25.4	0.004	0.1	0.004	0.1	0	20
1	25.4	0.006	0.15	0.006	0.1	0	20
>1 to 1½	>25.4 to 38.1	0.006	0.15	0.006	0.15	0	20
>1½ to <2	>38.1 to <50.8	0.008	0.2	0.008	0.2	0	22
2	50.8	0.008	0.2	0.008	0.2	0	22
>2 to 2½	>50.8 to 63.5	0.010	0.25	0.010	0.25	0	22
>2½ to 3	>63.5 to 76.2	0.012	0.3	0.012	0.3	0	22
>3 to 4	>76.2 to 101.6	0.015	0.38	0.015	0.38	0	22

STANDARD TOLERANCES FOR SEAMLESS HOT FINISHED TUBE (ASTM A450/A450M)

Outside Diameter (OD)		Wall Thickness (t)		Variations in OD ¹				Variation in t _{min} ²	
				Under		Over		Under	Over
in	mm	in	mm	in	mm	in	mm	%	%
≤4	≤101.6	≤0.095	≤2.4	1/32	0.8	1/64	0.4	0	40
≤4	≤101.6	>0.095 to 0.150	>2.4 to 3.8	1/32	0.8	1/64	0.4	0	35
≤4	≤101.6	>0.150 to 0.180	>3.8 to 4.6	1/32	0.8	1/64	0.4	0	33
≤4	≤101.6	>0.180	>4.6	1/32	0.8	1/64	0.4	0	28
>4 to 7½	>101.6 to 190.5	>0.095	>2.4	3/64	1.2	1/64	0.4	-	-
>4 to 7½	>101.6 to 190.5	>0.095 to 0.150	>2.4 to 3.8	3/64	1.2	1/64	0.4	0	35
>4 to 7½	>101.6 to 190.5	>0.150 to 0.180	>3.8 to 4.6	3/64	1.2	1/64	0.4	0	33
>4 to 7½	>101.6 to 190.5	>0.180	>4.6	3/64	1.2	1/64	0.4	0	28
>7½ to 9	>190.5 to 228.6	≤0.095	≤2.4	1/16	1.6	1/64	0.4	-	-
>7½ to 9	>190.5 to 228.6	>0.095 to 0.150	>2.4 to 3.8	1/16	1.6	1/64	0.4	0	35
>7½ to 9	>190.5 to 228.6	>0.150 to 0.180	>3.8 to 4.6	1/16	1.6	1/64	0.4	0	33
>7½ to 9	>190.5 to 228.6	>0.180	>4.6	1/16	1.6	1/64	0.4	0	28

NOTES

- 1 Includes ovality tolerance except for thin wall tube.
- 2 t_{min} = minimum wall thickness.

STANDARD CUT LENGTHS: Alternatives are:

Random: As agreed with the purchaser.

Specified: Cut lengths as specified, with end finish specified also.

LENGTH TOLERANCES: No tube shall be shorter than specified. Over length tolerances of tubes (before bending) are as follows:

Seamless, hot finished tube: All sizes: 3/16in (5mm) max.

Seamless, cold finished and welded tube: <2in (50.8mm) OD: 1/8in (3mm) max.

≥2in (50.8mm) OD: 3/16in (5mm) max.

These apply to lengths <24ft (7.3m) and are increased by 1/8in (3mm) for each additional 10ft (3m).

ASTM Tube

TUBE SPECIFICATIONS

ASTM A213/A213M

SEAMLESS FERRITIC, AUSTENITIC ALLOY-STEEL BOILER, SUPERHEATER AND HEAT EXCHANGER TUBES

This specification covers minimum wall thickness seamless ferritic and austenitic steel, boiler and superheater tubes and austenitic steel heat exchanger tubes.

FINISH

Finish. Austenitic grades are pickled free of scale. Bright annealed tube need not be pickled. Ferritic cold drawn tubes shall be free of scale, but slight oxidation is allowed. Ferritic hot formed tubes shall be free of loose scale.

TENSILE AND HARDNESS REQUIREMENTS

Grade	UNS	Tensile Strength min		Yield Strength min		Elongation in 2in (50mm) or 4D, min	Brinell Hardness HB	Vickers Hardness HV	Rockwell Hardness HRB or C
		ksi	MPa	ksi	MPa				
18Cr-2Mo		60	415	40	275	201	217	230	B96
TP201	S20100	95	655	38	260	35	219	230	B95
TP202	S20200	90	620	45	310	35	219	230	B95
TP304	S30400	75	515	30	205	35	192	200	B90
TP304H	S30409	75	515	30	205	35	192	200	B90
TP304N	S30451	80	550	35	240	35	192	200	B90
TP304L	S30403	70	485	25	170	35	192	200	B90
TP304LN	S30453	75	515	30	205	35	192	200	B90
TP309Cb	S30940	75	515	30	205	35	192	200	B90
TP309H	S30909	75	515	30	205	35	192	200	B90
TP309HCb	S30941	75	515	30	205	35	192	200	B90
TP309S	S30908	75	515	30	205	35	192	200	B90
TP310Cb	S31040	75	515	30	205	35	192	200	B90
TP310H	S31009	75	515	30	205	35	192	200	B90
TP310HCb	S31041	75	515	30	205	35	192	200	B90
TP310HCbN	S31042	95	655	43	295	30	256	-3	B100
TP310S	S31008	75	515	30	205	35	192	200	B90
	S31272	65	450	29	200	35	217	-3	B95
TP316	S31600	75	515	30	205	35	192	200	B90
TP316H	S31609	75	515	30	205	35	192	200	B90
TP316L	S31603	70	485	25	170	35	192	200	B90
TP316N	S31651	80	550	35	240	35	192	200	B90
TP316LN	S31653	75	515	30	205	35	192	200	B90
TP317	S31700	75	515	30	205	35	192	200	B90
TP317L	S31703	75	515	30	205	35	192	200	B90
TP321	S32100	75	515	30	205	35	192	200	B90
TP321H	S32109	75	515	30	205	35	192	200	B90
TP347	S34700	75	515	30	205	35	192	200	B90
TP347H	S34709	75	515	30	205	35	192	200	B90
TP347LN	S34751	75	515	30	205	35	192	200	B90
TP347HFG		80	550	30	205	35	192	200	B90
TP348	S34800	75	515	30	205	35	192	200	B90
TP348H	S34809	75	515	30	205	35	192	200	B90
XM-15	S38100	75	515	30	205	35	192	200	B90
XM-19	S20910	100	690	55	380	35	250	265	C25
	S30615	90	620	40	275	35	192	200	B90
	S30815	87	600	45	310	40	217	-3	B95
	S31050	84 (782)	580 (5402)	39 (372)	270 (2552)	25	217	-3	B95
	S33228	73	500	27	185	30	192	200	B90
	S21500	78	540	33	230	35	192	200	B90
	S31725	75	515	30	205	35	192	200	B90
	S31726	80	550	35	240	35	192	200	B90
	S32615	80	550	32	220	25	192	200	B90
	S25700	78	540	35	240	50	192	200	B90

NOTES

- Elongation for wall thickness $t = \frac{5}{16}$ in (8mm); For wall thickness $t < \frac{5}{16}$ in (8mm): $\text{Elongation \%} = 32t + 10.00$ ($= 1.25t + 10.00$) for 18Cr-2Mo. Calculated elongation values should be rounded to the nearest whole number.
- Values if wall thickness $t > 0.25$ in.
- No Vickers hardness provided.

ASTM Tube

TUBE SPECIFICATIONS

ASTM A249/A249M

WELDED AUSTENITIC STEEL BOILER, SUPERHEATER, HEAT EXCHANGER AND CONDENSER TUBES

This specification covers nominal wall thickness austenitic steel welded tubes for use as boiler, superheater, heat exchanger, condenser, or hygienic tubes. Minimum wall thickness tube may be also specified.

TENSILE AND HARDNESS REQUIREMENTS

Grade	UNS	Tensile Strength min		Yield Strength min		Elongation in 2in (50mm) or 4D, min	Rockwell Hardness HRB or C
		ksi	MPa	ksi	MPa		
TP201	S20100	95	655	38	260	35	B95
TP202	S20200	90	620	38	260	35	B95
TP304	S30400	75	515	30	205	35	B90
TP304H	S30409	75	515	30	205	35	B90
TP304N	S30451	80	550	35	240	35	B90
TP304L	S30403	70	485	25	170	35	B90
TP304LN	S30453	75	515	30	205	35	B90
TP305	S30500	75	515	30	205	35	B90
TP309Cb	S30940	75	515	30	205	35	B90
TP309H	S30909	75	515	30	205	35	B90
TP309HCb	S30941	75	515	30	205	35	B90
TP309S	S30908	75	515	20	205	35	B90
TP310Cb	S31040	75	515	30	205	35	B90
TP310H	S31009	75	515	30	205	35	B90
TP310HCb	S31041	75	515	30	205	35	B90
TP310S	S31008	75	515	30	205	35	B90
TP316	S31600	75	515	30	205	35	B90
TP316H	S31609	75	515	30	205	35	B90
TP316L	S31603	70	485	25	170	35	B90
TP316N	S31651	80	550	35	240	35	B90
TP316LN	S31653	75	515	30	205	35	B90
TP317	S31700	75	515	30	205	35	B90
TP317L	S31703	75	515	30	205	35	B90
TP321	S32100	75	515	30	205	35	B90
TP321H	S32109	75	515	30	205	35	B90
TP347	S34700	75	515	30	205	35	B90
TP347H	S34709	75	515	30	205	35	B90
TP348	S34800	75	515	30	205	35	B90
TP348H	S34809	75	515	30	205	35	B90
TPXM-15	S38100	75	515	30	205	35	B90
TPXM-19	S20910	100	690	55	380	35	C25
TPXM-29	S24000	100	690	55	380	35	B100
	S30615	90	620	40	275	35	B95
	S31050	84 (781)	580 (5401)	39 (371)	270 (2551)	25	B95
	S31254	94	650	44	300	35	B96
	S30815	87	600	45	310	35	B95
	S31725	75	515	30	205	35	B90
	S31726	80	550	35	240	35	B90
	S24565	115	795	60	415	35	B100
	S33228	73	500	27	185	30	B90
	S30415	87	600	42	290	35	B96
	S32654	109	750	62	430	35	B100
	N08367	100 (952)	690 (6552)	45 (452)	310 (3102)	30	B100
	N08904	71	490	31	215	35	B90
	N08926	94	650	43	295	35	B100

NOTES

- 1 Values if wall thickness $t > 0.25$ in
- 2 Values if wall thickness $t > 0.187$ in
- Refer to mandatory testing exceptions also.

SEAMLESS AND WELDED AUSTENITIC STAINLESS STEEL TUBING FOR GENERAL SERVICE

This specification covers nominal wall thickness austenitic stainless steel tubing for general corrosion resisting and low or high temperature service.

TOLERANCES

Cut Length. No tube may be shorter than specified. For tube <1½in (38.1mm) cut length may be up to ¼in (3mm) longer than specified. For tube ≥1½in (38.1mm) cut length may be up to ¾in (4.8mm) longer than specified. These tolerances are increased by ¼in (3mm) for every 10ft (3m) over 24ft (7.3m), up to a maximum tolerance of ½in (13mm).

CROSS-SECTIONAL TOLERANCES

Outside Diameter (OD)		Wall Thickness (t)		Variations in OD				Variation in t	
in	mm	in	mm	Under		Over		Under	Over
				in	mm	in	mm	%	%
<½	<12.7	All	All	0.005	0.13	0.005	0.13	15	15
½ to <1½	12.7 to <38.1	>	>	0.005	0.13	0.005	0.13	10	10
½ to <1½	12.7 to <38.1	<0.0651	<1.61	0.005	0.13	0.005	0.13	10	10
1½ to <3½	38.1 to <88.9	>	>	0.010	0.25	0.010	0.25	10	10
1½ to <3½	38.1 to <88.9	<0.0951	<2.41	0.010	0.25	0.010	0.25	10	10
3½ to <5½	88.9 to <139.7	>	>	0.015	0.38	0.015	0.38	10	10
3½ to <5½	88.9 to <139.7	<0.1501	<3.81	0.015	0.38	0.015	0.38	10	10
5½ to ≤8	139.1 to ≤203.2	>	>	0.030	0.76	0.030	0.76	10	10
5½ to ≤8	139.1 to ≤203.2	<0.1501	<3.81	0.030	0.76	0.030	0.76	10	10

NOTES

1 Thin walled tubes. Therefore ovality tolerance increases, but mean OD at a cross-section must be within permissible variation.

FINISH

Tubes to be pickled, free of scale. Where bright annealed, pickling is not necessary.

ASTM Tube

TUBE

SPECIFICATIONS

ASTM A269

Butt Weld Fittings

Introduction

Butt Weld Fittings are a family of fittings used for forming circumferential butt weld joints in pipework systems.

They are used only in conjunction with ANSI Pipe and are available in the same size range. They are used in areas where pipe-work is permanent and are designed to provide good flow characteristics.

MANUFACTURE

MATERIALS: Refer to chemical composition table ASTM A240 on page 7. Fittings may be made from forgings, bars, plates, or seamless or welded tubular products, provided the materials conform to the chemical composition table.

THE STEEL may be melted by electric-furnace, or vacuum-furnace, or by either of these followed by vacuum or electroslag-consumable remelting.

FORMING: Fittings may be formed by hammering, pressing, piercing, extruding, upsetting, rolling, bending, fusion welding, machining or any combination of these processes.

HEAT TREATMENT: All fittings are heat treated in accordance with the heat treatment table. All welding must be done prior to heat treatment.

MANUFACTURING STANDARDS

WROUGHT PIPE FITTINGS are manufactured to dimensions and tolerances in ANSI B16.9 with the exception of short radius elbows and return bends which are made to ANSI B16.28. Light-weight corrosion resistant fittings are made to MSS SP43.

BUTT WELD FITTINGS are available to ASTM A403, ASTM A815 and MSS SP43. These standards require the fittings to be manufactured as follows:

SEAMLESS AUSTENITIC FITTINGS are made from seamless pipe to ASTM A312.

WELDED FITTINGS IN AUSTENITIC GRADES are manufactured from welded pipe to ASTM A312 or plate to ASTM A240. Note that welded fittings manufactured from plate may have two-welds.

DUPLEX (FERRITIC/AUSTENITIC) GRADES are manufactured from pipe to ASTM A790 or plate to ASTM A240.

ASTM A403/A815 BUTT WELD FITTINGS are sub-divided into four classes:

- **WP-S:** Made from seamless pipe to ASTM A312 (Austenitic) or ASTM A790 (Duplex).
- **WP-W:** Manufactured from welded pipe to ASTM A312 (Austenitic) or ASTM A790 (Duplex). There is no requirement for radiography unless a manufacturer's weld has been introduced or there are welds made with the addition of filler metal.
- **WP-WX:** Of welded construction. All welds must be 100% radiographed in accordance with Paragraph UW-51 of Section VIII, Division 1 of the ASME Boiler and Pressure Vessel Code.
- **WP-WU:** Of welded construction. All welds must be 100% examined ultrasonically in accordance with Paragraph UW-51 of Section VIII, Division 1 of the ASME Boiler and Pressure Vessel Code. Note that this Class only applies to austenitic fittings made to ASTM A403.

CR FITTINGS are manufactured to the requirements of MSS SP43. These are light-weight fittings and do not require radiography.

NOTES:

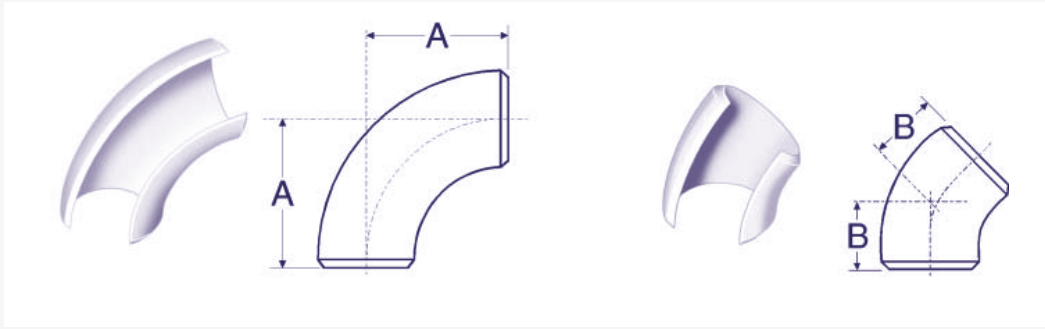
WP: Means Wrought Pipe

CR: Means Corrosion Resistant

MARKINGS ON TUBE AND FITTINGS

The full identification of the fitting should be marked on it including:

- Nominal Pipe Size (Nominal Bore)
- Schedule (Wall Thickness)
- Specification
- Grade
- Method of Manufacture (Seamless or Welded)
- Heat Number
- Manufacturer's Name or Symbol



Butt Weld Fittings

RANGE/SIZES
90° AND 45°
LONG RADIUS
ELBOWS
ANSI B16.9

DIMENSIONS (BASED ON ASME/ANSI B16.9) AND EXAMPLE WEIGHTS FOR LONG RADIUS ELBOWS

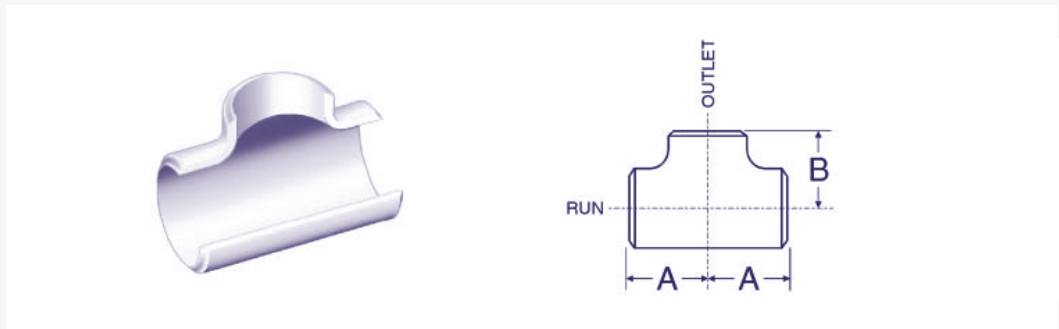
Nominal Pipe Size	Common		90° Elbow			45° Elbow		
	OD at Bevel		A		40S/STD ¹	B		40S/STD ¹
	in	mm	in	mm	kg/piece	in	mm	kg/piece
1/2	0.84	21	1.50	38	0.08	0.62	16	0.04
3/4	1.05	27	1.50	38	0.10	0.75	19	0.05
1	1.32	33	1.50	38	0.15	0.88	22	0.07
1 1/4	1.66	42	1.88	48	0.25	1.00	25	0.12
1 1/2	1.90	48	2.25	57	0.36	1.12	29	0.18
2	2.38	60	3.00	76	0.65	1.38	35	0.32
2 1/2	2.88	73	3.75	95	1.29	1.75	44	0.64
3	3.50	89	4.50	114	2.02	2.00	51	1.01
3 1/2	4.00	102	5.25	133	2.83	2.25	57	1.41
4	4.50	114	6.00	152	3.84	2.50	64	1.92
5	5.56	141	7.50	190	6.51	3.12	79	3.25
6	6.62	168	9.00	229	10.1	3.75	95	5.05
8	8.62	219	12.00	305	20.3	5.00	127	10.15
10	10.75	273	15.00	381	36.0	6.25	159	18.0
12	12.75	324	18.00	457	53.0	7.50	190	26.5
14	14.00	356	21.00	533	68.0	8.75	222	34.0
16	16.00	406	24.00	610	89.2	10.00	254	44.6
18	18.00	457	27.00	686	113.0	11.25	286	56.5
20	20.00	508	30.00	762	140.0	12.50	318	70.0
22	22.00	559	33.00	838	170.0	13.50	343	85.0
24	24.00	610	36.00	914	202.0	15.00	381	101.0
26	26.00	660	39.00	991	241.4	16.00	406	120.5
28	28.00	711	42.00	1067	279.9	17.25	438	140.0
30	30.00	762	45.00	1143	321.3	18.50	470	160.5
32	32.00	813	48.00	1219	365.6	19.75	502	183.0
34	34.00	864	51.00	1295	-	21.00	533	-
36	36.00	914	54.00	1372	462.7	22.25	565	231.0
38	38.00	965	57.00	1448	-	23.62	600	-
40	40.00	1016	60.00	1524	571.3	24.88	632	285.5
42	42.00	1067	63.00	1600	629.8	26.00	660	315.0
44	44.00	1118	66.00	1676	-	27.38	695	-
46	46.00	1168	69.00	1753	-	28.62	727	-
48	48.00	1219	72.00	1829	-	29.88	759	-

NOTES:

- Dimensions quoted in mm are 'Nominal' values from B16.9 (i.e. rounded equivalents of the inch dimensions). Refer to ASME/ANSI B16.9 for additional 'Max' and 'Min' metric dimensions.
- For tolerances see page 37.
- 1 Weights are approximate and based on manufacturers' data (where available) for Schedule 40S/Standard fittings. See page 38 for further information.

Butt Weld Fittings

RANGE/SIZES
EQUAL TEES
ANSI B16.9



DIMENSIONS (BASED ON ASME/ANSI B16.9) AND EXAMPLE WEIGHTS FOR EQUAL TEES

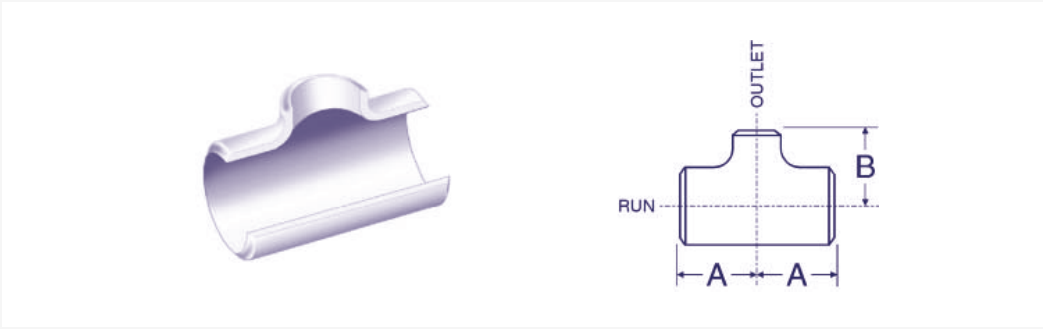
Nominal Pipe Size	OD at Bevelled		Run		Outlet		Weight (Tees only)
	OD		A		B		40S/STD ¹
	in	mm	in	mm	in	mm	kg/piece
1/2	0.84	21	1.00	25	1.00	25	0.08
3/4	1.05	27	1.12	29	1.12	29	0.11
1	1.32	33	1.50	38	1.50	38	0.24
1 1/4	1.66	42	1.88	48	1.88	48	0.41
1 1/2	1.90	48	2.25	57	2.25	57	0.60
2	2.38	60	2.50	64	2.50	64	0.87
2 1/2	2.88	73	3.00	76	3.00	76	1.66
3	3.50	89	3.38	86	3.38	86	1.90
3 1/2	4.00	102	3.75	95	3.75	95	-
4	4.50	114	4.12	105	4.12	105	4.13
5	5.56	141	4.88	124	4.88	124	6.55
6	6.62	168	5.62	143	5.62	143	9.73
8	8.62	219	7.00	178	7.00	178	18.0
10	10.75	273	8.50	216	8.50	216	30.8
12	12.75	324	10.00	254	10.00	254	44.3
14	14.00	356	11.00	279	11.00	279	53.7
16	16.00	406	12.00	305	12.00	305	66.3
18	18.00	457	13.50	343	13.50	343	84.1
20	20.00	508	15.00	381	15.00	381	104
22	22.00	559	16.50	419	16.50	419	126
24	24.00	610	17.00	432	17.00	432	140
26	26.00	660	19.50	495	19.50	495	158
28	28.00	711	20.50	521	20.50	521	176
30	30.00	762	22.00	559	22.00	559	203
32	32.00	813	23.50	597	23.50	597	231
34	34.00	864	25.00	635	25.00	635	-
36	36.00	914	26.50	673	26.50	673	294
38	38.00	965	28.00	711	28.00	711	-
40	40.00	1016	29.50	749	29.50	749	363
42	42.00	1067	30.00	762	28.00	711	382
44	44.00	1118	32.00	813	30.00	762	-
46	46.00	1168	33.50	851	31.50	800	-
48	48.00	1219	35.00	889	33.00	838	-

NOTES:

- For NPS 26 and larger: Dimensions are not applicable to crosses. Also, dimension B is recommended but not required.
 - Dimensions quoted in mm are 'Nominal' values from B16.9 (i.e. rounded equivalents of the inch dimensions). Refer to B16.9 for additional 'Max' and 'Min' metric dimensions.
 - For tolerances see page 37.
- 1 Weights are approximate and based on manufacturers' data (where available) for Schedule 40S/Standard fittings. See page 38 for further information.

Butt Weld Fittings

RANGE/SIZES
REDUCING TEES
ANSI B16.9



Nominal Pipe Size	Run OD		Outlet OD		Run A		Outlet B		Weight 40S/STD ¹ kg/piece
	OD at Bevel	mm	OD at Bevel	mm	in	mm	in	mm	
1/2⇒3/8	0.84	21	0.68	17	1.00	25	1.00	25	-
1/2⇒1/4	0.84	21	0.54	14	1.00	25	1.00	25	-
3/4⇒1/2	1.05	27	0.84	21	1.12	29	1.12	29	0.12
3/4⇒3/8	1.05	27	0.68	17	1.12	29	1.12	29	-
1⇒3/4	1.32	33	1.05	27	1.50	38	1.50	38	0.23
1⇒1/2	1.32	33	0.84	21	1.50	38	1.50	38	0.22
1 1/4⇒1	1.66	42	1.32	33	1.88	48	1.88	48	0.39
1 1/4⇒3/4	1.66	42	1.05	27	1.88	48	1.88	48	0.37
1 1/4⇒1/2	1.66	42	0.84	21	1.88	48	1.88	48	-
1 1/2⇒1 1/4	1.90	48	1.66	42	2.25	57	2.25	57	0.57
1 1/2⇒1	1.90	48	1.32	33	2.25	57	2.25	57	0.55
1 1/2⇒3/4	1.90	48	1.05	27	2.25	57	2.25	57	0.52
1 1/2⇒1/2	1.90	48	0.84	21	2.25	57	2.25	57	0.51
2⇒1 1/2	2.38	60	1.90	48	2.50	64	2.38	60	0.83
2⇒1 1/4	2.38	60	1.66	42	2.50	64	2.25	57	0.80
2⇒1	2.38	60	1.32	33	2.50	64	2.00	51	0.74
2⇒3/4	2.38	60	1.05	27	2.50	64	1.75	44	-
2 1/2⇒2	2.88	73	2.38	60	3.00	76	2.75	70	1.53
2 1/2⇒1 1/2	2.88	73	1.90	48	3.00	76	2.62	67	1.49
2 1/2⇒1 1/4	2.88	73	1.66	42	3.00	76	2.50	64	1.38
2 1/2⇒1	2.88	73	1.32	33	3.00	76	2.25	57	-
3⇒2 1/2	3.50	89	2.88	73	3.38	86	3.25	83	2.29
3⇒2	3.50	89	2.38	60	3.38	86	3.00	76	2.16
3⇒1 1/2	3.50	89	1.90	48	3.38	86	2.88	73	2.05
3⇒1 1/4	3.50	89	1.66	42	3.38	86	2.75	70	-
3 1/2⇒3	4.00	102	3.50	89	3.75	95	3.62	92	-
3 1/2⇒2 1/2	4.00	102	2.88	73	3.75	95	3.50	89	-
3 1/2⇒2	4.00	102	2.38	60	3.75	95	3.25	83	-
3 1/2⇒1 1/2	4.00	102	1.90	48	3.75	95	3.12	79	-
4⇒3 1/2	4.50	114	4.00	102	4.12	105	4.00	102	-
4⇒3	4.50	114	3.50	89	4.12	105	3.88	98	3.83
4⇒2 1/2	4.50	114	2.88	73	4.12	105	3.75	95	3.70
4⇒2	4.50	114	2.38	60	4.12	105	3.50	89	3.52
4⇒1 1/2	4.50	114	1.90	48	4.12	105	3.38	86	3.41
5⇒4	5.56	141	4.50	114	4.88	124	4.62	117	6.14
5⇒3 1/2	5.56	141	4.00	102	4.88	124	4.50	114	-
5⇒3	5.56	141	3.50	89	4.88	124	4.38	111	5.85
5⇒2 1/2	5.56	141	2.88	73	4.88	124	4.25	108	5.71
5⇒2	5.56	141	2.38	60	4.88	124	4.12	105	-
6⇒5	6.62	168	5.56	141	5.62	143	5.38	137	9.21
6⇒4	6.62	168	4.50	114	5.62	143	5.12	130	8.81
6⇒3 1/2	6.62	168	4.00	102	5.62	143	5.00	127	-
6⇒3	6.62	168	3.50	89	5.62	143	4.88	124	8.52
6⇒2 1/2	6.62	168	2.88	73	5.62	143	4.75	121	-
8⇒6	8.62	219	6.62	168	7.00	178	6.62	168	16.8
8⇒5	8.62	219	5.56	141	7.00	178	6.38	162	16.3
8⇒4	8.62	219	4.50	114	7.00	178	6.12	156	15.9

Butt Weld Fittings

RANGE/SIZES
REDUCING TEES
ANSI B16.9

Nominal Pipe Size	Run OD		Outlet OD		Run A		Outlet B		Weight
	OD at Bevel		OD at Bevel		A		B		40S/STD'
	in	mm	in	mm	in	mm	in	mm	kg/piece
8⇒3½	8.62	219	4.00	102	7.00	178	6.00	152	-
10⇒8	10.75	273	8.62	219	8.50	216	8.00	203	28.9
10⇒6	10.75	273	6.62	168	8.50	216	7.62	194	27.6
10⇒5	10.75	273	5.56	141	8.50	216	7.50	191	27.1
10⇒4	10.75	273	4.50	114	8.50	216	7.25	184	-
12⇒10	12.75	324	10.75	273	10.00	254	9.50	241	42.3
12⇒8	12.75	324	8.62	219	10.00	254	9.00	229	40.3
12⇒6	12.75	324	6.62	168	10.00	254	8.62	219	39.1
12⇒5	12.75	324	5.56	141	10.00	254	8.50	216	-
14⇒12	14.00	356	12.75	324	11.00	279	10.62	270	52.2
14⇒10	14.00	356	10.75	273	11.00	279	10.12	257	50.2
14⇒8	14.00	356	8.625	219	11.00	279	9.75	248	48.4
14⇒6	14.00	356	6.62	168	11.00	279	9.38	238	-
16⇒14	16.00	406	14.00	356	12.00	305	12.00	305	65.1
16⇒12	16.00	406	12.75	324	12.00	305	11.62	295	63.6
16⇒10	16.00	406	10.75	273	12.00	305	11.12	283	61.6
16⇒8	16.00	406	8.62	219	12.00	305	10.75	273	-
16⇒6	16.00	406	6.62	168	12.00	305	10.38	264	-
18⇒16	18.00	457	16.00	406	13.50	343	13.00	330	81.5
18⇒14	18.00	457	14.00	356	13.50	343	13.00	330	80.3
18⇒12	18.00	457	12.75	324	13.50	343	12.62	321	78.9
18⇒10	18.00	457	10.75	273	13.50	343	12.12	308	-
18⇒8	18.00	457	8.62	219	13.50	343	11.75	298	-
20⇒18	20.00	508	18.00	457	15.00	381	14.50	368	101
20⇒16	20.00	508	16.00	406	15.00	381	14.00	356	98.6
20⇒14	20.00	508	14.00	356	15.00	381	14.00	356	97.4
20⇒12	20.00	508	12.75	321	15.00	381	13.62	346	-
20⇒10	20.00	508	10.75	273	15.00	381	13.12	333	-
20⇒8	20.00	508	8.62	219	15.00	381	12.75	324	-
22⇒20	22.00	559	20.00	508	16.50	419	16.00	406	123
22⇒18	22.00	559	18.00	457	16.50	419	15.50	394	120
22⇒16	22.00	559	16.00	406	16.50	419	15.00	381	118
22⇒14	22.00	559	14.00	356	16.50	419	15.00	381	-
22⇒12	22.00	559	12.75	324	16.50	419	14.62	371	-
22⇒10	22.00	559	10.75	273	16.50	419	14.12	359	-
24⇒22	24.00	610	22.00	559	17.00	432	17.00	432	138
24⇒20	24.00	610	20.00	508	17.00	432	17.00	432	137
24⇒18	24.00	610	18.00	457	17.00	432	16.50	419	134
24⇒16	24.00	610	16.00	406	17.00	432	16.00	406	-
24⇒14	24.00	610	14.00	356	17.00	432	16.00	406	-
24⇒12	24.00	610	12.75	324	17.00	432	15.62	397	-
24⇒10	24.00	610	10.75	273	17.00	432	15.12	384	-
26⇒24	26.00	660	24.00	610	19.50	495	19.00	483	-
26⇒22	26.00	660	22.00	559	19.50	495	18.50	470	-
26⇒20	26.00	660	20.00	508	19.50	495	18.00	457	-
26⇒18	26.00	660	18.00	457	19.50	495	17.50	444	-
Reducing tees 26⇒16, ⇒14 and ⇒12 are also available									
28⇒26	28.00	711	26.00	660	20.50	521	20.50	521	-
28⇒24	28.00	711	24.00	610	20.50	521	20.00	508	-
28⇒22	28.00	711	22.00	559	20.50	521	19.50	495	-
28⇒20	28.00	711	20.00	508	20.50	521	19.00	483	-
28⇒18	28.00	711	18.00	457	20.50	521	18.50	470	-
Reducing tees 28⇒16, ⇒14 and ⇒12 are also available									
30⇒28	30.00	762	28.00	711	22.00	559	21.50	546	-
30⇒26	30.00	762	26.00	660	22.00	559	21.50	546	-
30⇒24	30.00	762	24.00	610	22.00	559	21.00	533	-
30⇒22	30.00	762	22.00	559	22.00	559	20.50	521	-
30⇒20	30.00	762	20.00	508	22.00	559	20.00	508	-
Reducing tees 30⇒18, ⇒16, ⇒14, ⇒12 and ⇒10 are also available									
32⇒30	32.00	813	30.00	762	23.50	597	23.00	584	-

Butt Weld Fittings

RANGE/SIZES
REDUCING TEES
ANSI B16.9

Nominal Pipe Size	Run OD		Outlet OD		Run A		Outlet B		Weight
	OD at Bevel		OD at Bevel		A		B		40S/STD ¹
	in	mm	in	mm	in	mm	in	mm	kg/piece
32⇒28	32.00	813	28.00	711	23.50	597	22.50	572	-
32⇒26	32.00	813	26.00	660	23.50	597	22.50	572	-
32⇒24	32.00	813	24.00	610	23.50	597	22.00	559	-
Reducing tees 32⇒22, ⇒20, ⇒18, ⇒16 and ⇒14 are also available									
34⇒32	34.00	864	32.00	813	25.00	635	24.50	622	-
34⇒30	34.00	864	30.00	762	25.00	635	24.00	610	-
34⇒28	34.00	864	28.00	711	25.00	635	23.50	597	-
34⇒26	34.00	864	26.00	660	25.00	635	23.50	597	-
34⇒24	34.00	864	24.00	610	25.00	635	23.00	584	-
Reducing tees 34⇒22, ⇒20, ⇒18, and ⇒16 are also available									
36⇒34	36.00	914	34.00	864	26.50	673	26.00	660	-
36⇒32	36.00	914	32.00	813	26.50	673	25.50	648	-
36⇒30	36.00	914	30.00	762	26.50	673	25.00	635	-
36⇒28	36.00	914	28.00	711	26.50	673	24.50	622	-
36⇒26	36.00	914	26.00	660	26.50	673	24.50	622	-
36⇒24	36.00	914	24.00	610	26.50	673	24.00	610	-
Reducing tees 36⇒22, ⇒20, ⇒18, and ⇒16 are also available									
38⇒36	38.00	965	36.00	914	28.00	711	28.00	711	-
38⇒34	38.00	965	34.00	864	28.00	711	27.50	698	-
38⇒32	38.00	965	32.00	813	28.00	711	27.00	686	-
38⇒30	38.00	965	30.00	762	28.00	711	26.50	673	-
38⇒28	38.00	965	28.00	711	28.00	711	25.50	648	-
38⇒26	38.00	965	26.00	660	28.00	711	25.50	648	-
Reducing tees 38⇒24, ⇒22, ⇒20, and ⇒18 are also available									
40⇒38	40.00	1016	38.00	965	29.50	749	29.50	749	-
40⇒36	40.00	1016	36.00	914	29.50	749	29.00	737	-
40⇒34	40.00	1016	34.00	864	29.50	749	28.50	724	-
40⇒32	40.00	1016	32.00	813	29.50	749	28.00	711	-
40⇒30	40.00	1016	30.00	762	29.50	749	27.50	698	-
Reducing tees 40⇒28, ⇒26, ⇒24, ⇒22, ⇒20, and ⇒18 are also available									
42⇒40	42.00	1067	40.00	1016	30.00	762	28.00	711	-
42⇒38	42.00	1067	38.00	965	30.00	762	28.00	711	-
42⇒36	42.00	1067	36.00	914	30.00	762	28.00	711	-
42⇒34	42.00	1067	34.00	864	30.00	762	28.00	711	-
42⇒32	42.00	1067	32.00	813	30.00	762	28.00	711	-
42⇒30	42.00	1067	30.00	762	30.00	762	28.00	711	-
Reducing tees 42⇒28, ⇒26, ⇒24, ⇒22, ⇒20, ⇒18, and ⇒16 are also available									
44⇒42	44.00	1118	42.00	1067	32.00	813	30.00	762	-
44⇒40	44.00	1118	40.00	1016	32.00	813	29.50	749	-
44⇒38	44.00	1118	38.00	965	32.00	813	29.00	737	-
44⇒36	44.00	1118	36.00	914	32.00	813	28.50	724	-
Reducing tees 44⇒34, ⇒32, ⇒30, ⇒28, ⇒26, ⇒24, ⇒22, and ⇒20 are also available									
46⇒44	46.00	1168	44.00	1118	33.50	851	31.50	800	-
46⇒42	46.00	1168	42.00	1067	33.50	851	31.00	787	-
46⇒40	46.00	1168	40.00	1016	33.50	851	30.50	775	-
46⇒38	46.00	1168	38.00	965	33.50	851	30.00	762	-
Reducing tees 46⇒36, ⇒34, ⇒32, ⇒30, ⇒28, ⇒26, ⇒24, and ⇒22 are also available									
48⇒46	48.00	1219	46.00	1168	35.00	889	33.00	838	-
48⇒44	48.00	1219	44.00	1118	35.00	889	33.00	838	-
48⇒42	48.00	1219	42.00	1067	35.00	889	32.00	813	-
48⇒40	48.00	1219	40.00	1016	35.00	889	32.00	813	-
Reducing tees 48⇒38, ⇒36, ⇒34, ⇒32, ⇒30, ⇒28, ⇒26, ⇒24, and ⇒22 are also available									

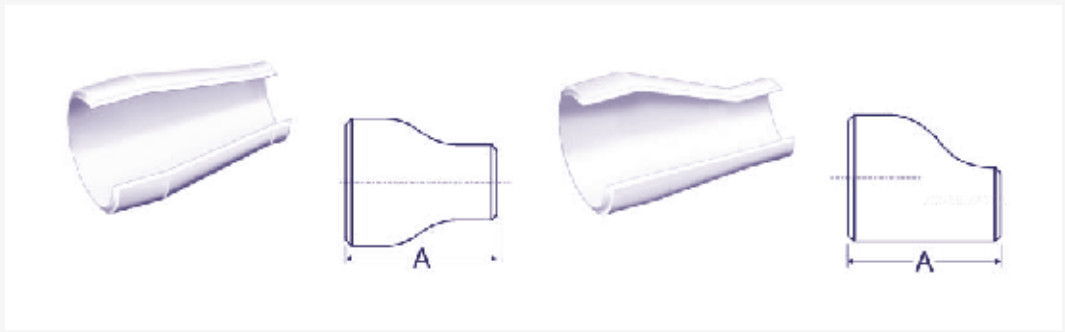
NOTES:

- For run size NPS 14 and larger, outlet dimension B is recommended but not required.
- Dimensions quoted in mm are 'Nominal' values from B16.9 (i.e. rounded equivalents of the inch dimensions). Refer to B16.9 for additional 'Max' and 'Min' metric dimensions.
- The run and outlet NPS sizes are as shown in the left hand column. The corresponding size designation for a reducing tee is, for example, for the tee shown as 4⇒3 : 4 x 4 x 3, and for the tee shown as 44⇒36 : 44 x 44 x 36.
- For tolerances see page 37.

1 Weights are approximate and based on manufacturers' data (where available) for Schedule 40S/Standard fittings. See page 38 for further information.

Butt Weld Fittings

RANGE/SIZES
CONCENTRIC
AND ECCENTRIC
REDUCERS
ANSI B16.9



DIMENSIONS (BASED ON ASME/ANSI B16.9) AND EXAMPLE WEIGHTS FOR REDUCERS

Nominal Pipe Size	Large End		Small End		End to End		Weight 40S/STD ¹
	OD at Bevel		OD at Bevel		A		
	in	mm	in	mm	in	mm	kg/piece
3/4⇒1/2	1.05	27	0.84	21	1.50	38	0.06
3/4⇒3/8	1.05	27	0.68	17	1.50	38	-
1⇒3/4	1.32	33	1.05	27	2.00	51	0.12
1⇒1/2	1.32	33	0.84	21	2.00	51	0.11
1 1/4⇒1	1.66	42	1.32	33	2.00	51	0.16
1 1/4⇒3/4	1.66	42	1.05	27	2.00	51	0.14
1 1/4⇒1/2	1.66	42	0.84	21	2.00	51	0.13
1 1/2⇒1 1/4	1.90	48	1.66	42	2.50	64	0.24
1 1/2⇒1	1.90	48	1.32	33	2.50	64	0.22
1 1/2⇒3/4	1.90	48	1.05	27	2.50	64	0.20
1 1/2⇒1/2	1.90	48	0.84	21	2.50	64	0.18
2⇒1 1/2	2.38	60	1.90	48	3.00	76	0.37
2⇒1 1/4	2.38	60	1.66	42	3.00	76	0.35
2⇒1	2.38	60	1.32	33	3.00	76	0.32
2⇒3/4	2.38	60	1.05	27	3.00	76	0.30
2 1/2⇒2	2.88	73	2.38	60	3.50	89	0.72
2 1/2⇒1 1/2	2.88	73	1.90	48	3.50	89	0.66
2 1/2⇒1 1/4	2.88	73	1.66	42	3.50	89	0.63
2 1/2⇒1	2.88	73	1.32	33	3.50	89	-
3⇒2 1/2	3.50	89	2.88	73	3.50	89	0.93
3⇒2	3.50	89	2.38	60	3.50	89	0.85
3⇒1 1/2	3.50	89	1.90	48	3.50	89	0.78
3⇒1 1/4	3.50	89	1.66	42	3.50	89	0.75
3 1/2⇒3	4.00	102	3.50	89	4.00	102	-
3 1/2⇒2 1/2	4.00	102	2.88	73	4.00	102	-
3 1/2⇒2	4.00	102	2.38	60	4.00	102	-
3 1/2⇒1 1/2	4.00	102	1.90	48	4.00	102	-
Reducers 3 1/2 ⇒ 1 1/4, and 4, 5, 6, & 8 ⇒ 3 1/2 are also available							
4⇒3 1/2	4.50	114	4.00	102	4.00	102	-
4⇒3	4.50	114	3.50	89	4.00	102	1.45
4⇒2 1/2	4.50	114	2.88	73	4.00	102	1.37
4⇒2	4.50	114	2.38	60	4.00	102	1.27
4⇒1 1/2	4.50	114	1.90	48	4.00	102	1.18
5⇒4	5.56	141	4.50	114	5.00	127	2.50
5⇒3	5.56	141	3.50	89	5.00	127	2.27
5⇒2 1/2	5.56	141	2.88	73	5.00	127	2.16
6⇒5	6.62	168	5.56	141	5.50	140	3.57
6⇒4	6.62	168	4.50	114	5.50	140	3.30
6⇒3	6.62	168	3.50	89	5.50	140	3.04
8⇒6	8.62	219	6.62	168	6.00	152	5.71
8⇒5	8.62	219	5.56	141	6.00	152	5.40
8⇒4	8.62	219	4.50	114	6.00	152	5.10
10⇒8	10.75	273	8.62	219	7.00	178	9.58
10⇒6	10.75	273	6.62	168	7.00	178	8.78
10⇒5	10.75	273	5.56	141	7.00	178	8.42

Butt Weld Fittings

RANGE/SIZES
CONCENTRIC
AND ECCENTRIC
REDUCERS
ANSI B16.9

Nominal Pipe Size	Large End		Small End		End to End		Weight 40S/STD ¹
	OD at Bevel		OD at Bevel		A		
	in	mm	in	mm	in	mm	kg/piece
12⇒10	12.75	324	10.75	273	8.00	203	13.6
12⇒8	12.75	324	8.62	219	8.00	203	12.7
12⇒6	12.75	324	6.62	168	8.00	203	11.8
14⇒12	14.00	356	12.75	324	13.00	330	25.4
14⇒10	14.00	356	10.75	273	13.00	330	23.6
14⇒8	14.00	356	8.62	219	13.00	330	21.8
16⇒14	16.00	406	14.00	356	14.00	356	31.0
16⇒12	16.00	406	12.75	324	14.00	356	29.6
16⇒10	16.00	406	10.75	273	14.00	356	27.8
18⇒16	18.00	457	16.00	406	15.00	381	37.8
18⇒14	18.00	457	14.00	356	15.00	381	35.7
18⇒12	18.00	457	12.75	324	15.00	381	34.3
20⇒18	20.00	508	18.00	457	20.00	508	56.4
20⇒16	20.00	508	16.00	406	20.00	508	53.5
20⇒14	20.00	508	14.00	356	20.00	508	50.8
22⇒20	22.00	559	20.00	508	20.00	508	62.6
22⇒18	22.00	559	18.00	457	20.00	508	59.7
22⇒16	22.00	559	16.00	406	20.00	508	57.1
24⇒22	24.00	610	22.00	559	20.00	508	68.6
24⇒20	24.00	610	20.00	508	20.00	508	65.7
24⇒18	24.00	610	18.00	457	20.00	508	63.0
26⇒24	26.00	660	24.00	610	24.00	610	-
26⇒22	26.00	660	22.00	559	24.00	610	-
26⇒20	26.00	660	20.00	508	24.00	610	-
26⇒18	26.00	660	18.00	457	24.00	610	-
28⇒26	28.00	711	26.00	660	24.00	610	-
28⇒24	28.00	711	24.00	610	24.00	610	-
28⇒20	28.00	711	20.00	508	24.00	610	-
28⇒18	28.00	711	18.00	457	24.00	610	-
30⇒28	30.00	762	28.00	711	24.00	610	-
30⇒26	30.00	762	26.00	660	24.00	610	-
30⇒24	30.00	762	24.00	610	24.00	610	-
30⇒20	30.00	762	20.00	508	24.00	610	-
32⇒30	32.00	813	30.00	762	24.00	610	-
32⇒28	32.00	813	28.00	711	24.00	610	-
32⇒26	32.00	813	26.00	660	24.00	610	-
32⇒24	32.00	813	24.00	610	24.00	610	-
34⇒32	34.00	864	32.00	813	24.00	610	-
34⇒30	34.00	864	30.00	762	24.00	610	-
34⇒26	34.00	864	26.00	660	24.00	610	-
34⇒24	34.00	864	24.00	610	24.00	610	-
36⇒34	36.00	914	34.00	864	24.00	610	-
36⇒32	36.00	914	32.00	813	24.00	610	-
36⇒30	36.00	914	30.00	762	24.00	610	-
36⇒26	36.00	914	26.00	660	24.00	610	-
36⇒24	36.00	914	24.00	610	24.00	610	-

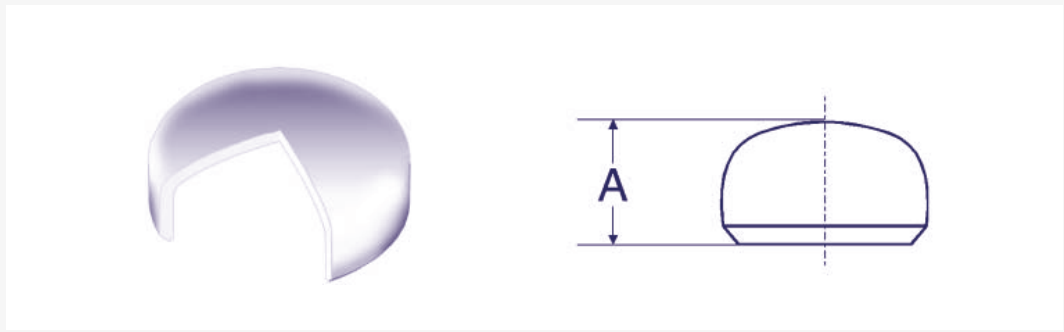
Reducers 38⇒36/34/32/30/28/26, 40⇒38/36/34/32/30, 42⇒40/38/36/34/32/30, 44⇒42/40/38/36, 46⇒44/42/40 and 48⇒46/44/42/40 are also available

NOTES:

- Dimensions quoted in mm are 'Nominal' values from B16.9 (i.e. rounded equivalents of the inch dimensions). Refer to B16.9 for additional 'Max' and 'Min' metric dimensions.
 - For tolerances see page 37.
 - Other sizes listed in B16.9 are 5⇒2, 6⇒2½, 10⇒4, 12⇒5, 14⇒6, 16⇒8, 18⇒10, 20⇒12, 22⇒14 and 24⇒16.
- 1 Weights are approximate and based on manufacturers' data (where available) for Schedule 40S/Standard fittings. See page 38 for further information.

Butt Weld Fittings

RANGE/SIZES
END CAPS
ANSI B16.9

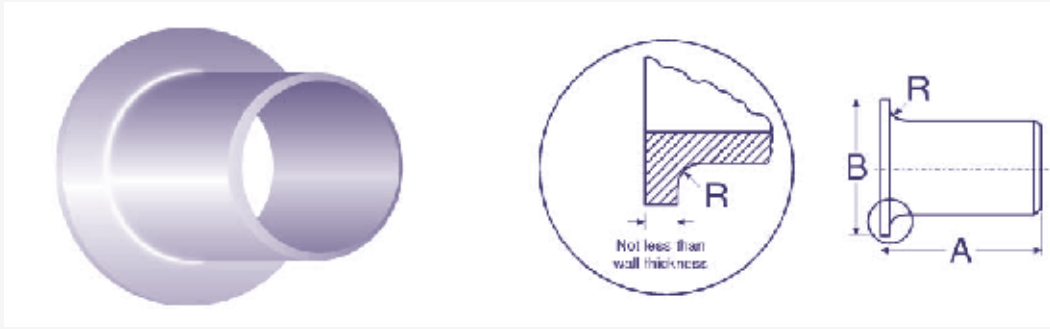


DIMENSIONS (BASED ON ASME/ANSI B16.9) AND EXAMPLE WEIGHTS

Nominal Pipe Size	Common		Limiting Wall Thickness		Length for wall ≤ T		Length for wall > T		Weight 40S/STD ¹ kg/piece
	OD at Bevel		T		A				
	in	mm	in	mm	in	mm	in	mm	
1/2	0.84	21	0.145	3.73	1.00	25	1.00	25	0.04
3/4	1.05	27	0.15	3.91	1.00	25	1.00	25	0.05
1	1.32	33	0.18	4.55	1.50	38	1.50	38	0.11
1 1/4	1.66	42	0.19	4.85	1.50	38	1.50	38	0.14
1 1/2	1.90	48	0.20	5.08	1.50	38	1.50	38	0.17
2	2.38	60	0.22	5.54	1.50	38	1.75	44	0.23
2 1/2	2.88	73	0.28	7.01	1.50	38	2.00	51	0.39
3	3.50	89	0.30	7.62	2.00	51	2.50	64	0.66
3 1/2	4.00	102	0.32	8.08	2.50	64	3.00	76	-
4	4.50	114	0.34	8.56	2.50	64	3.00	76	1.17
5	5.56	141	0.38	9.53	3.00	76	3.50	89	1.91
6	6.62	168	0.43	10.97	3.50	89	4.00	102	2.90
8	8.62	219	0.50	12.70	4.00	102	5.00	127	5.19
10	10.75	273	0.50	12.70	5.00	127	6.00	152	9.15
12	12.75	324	0.50	12.70	6.00	152	7.00	178	13.3
14	14.00	356	0.50	12.70	6.50	165	7.50	191	15.9
16	16.00	406	0.50	12.70	7.00	178	8.00	203	20.0
18	18.00	457	0.50	12.70	8.00	203	9.00	229	25.6
20	20.00	508	0.50	12.70	9.00	229	10.00	254	31.9
22	22.00	559	0.50	12.70	10.00	254	10.00	254	38.8
24	24.00	610	0.50	12.70	10.50	267	12.00	305	45.1
26	26.00	660	-	-	10.50	267	Subject to agreement with purchaser	-	53.8
28	28.00	711	-	-	10.50	267		-	62.4
30	30.00	762	-	-	10.50	267		-	71.7
32	32.00	813	-	-	10.50	267		-	81.6
34	34.00	864	-	-	10.50	267		-	-
36	36.00	914	-	-	10.50	267		-	103
38	38.00	965	-	-	12.00	305		-	-
40	40.00	1016	-	-	12.00	305		-	127
42	42.00	1067	-	-	12.00	305		-	140
44	44.00	1118	-	-	13.50	343		-	-
46	46.00	1168	-	-	13.50	343		-	-
48	48.00	1219	-	-	13.50	343		-	-

NOTES:

- Dimensions quoted in mm (except T) are 'Nominal' values from B16.9 (rounded equivalents of the inch dimensions). Refer to B16.9 for additional 'Max' and 'Min' metric dimensions.
 - The shape of caps shall be ellipsoidal and conform to shape requirements in the ASME Boiler and Pressure Code.
 - For tolerances see page 37.
- 1 Weights are approximate and based on manufacturers' data (where available) for Schedule 40S/Standard fittings. See page 38 for further information.



Butt Weld Fittings

RANGE/SIZES
LAP JOINT
STUB ENDS
ANSI B16.9

DIMENSIONS (BASED ON ASME/ANSI B16.9) AND EXAMPLE WEIGHTS

Nominal Pipe Size	Common		Long Pattern		Short Pattern		Diameter of Lap		Radius of Fillet		OD of Barrel				Weight
	OD at Bevel		A		A		B		R		OD				40S/STD ¹
	in	mm	in	mm	in	mm	in	mm	in	mm	in	mm	in	mm	kg/piece
1/2	0.84	21	3.00	76	2.00	51	1.38	35	0.12	3	0.90	23	0.81	21	0.14
3/4	1.05	27	3.00	76	2.00	51	1.69	43	0.12	3	1.11	28	1.02	26	0.18
1	1.32	33	4.00	102	2.00	51	2.00	51	0.12	3	1.38	35	1.28	33	0.30
1 1/4	1.66	42	4.00	102	2.00	51	2.50	64	0.19	5	1.72	44	1.63	41	0.41
1 1/2	1.90	48	4.00	102	2.00	51	2.88	73	0.25	6	1.97	50	1.87	47	0.55
2	2.38	60	6.00	152	2.50	64	3.62	92	0.31	8	2.46	62	2.34	60	1.00
2 1/2	2.88	73	6.00	152	2.50	64	4.12	105	0.31	8	2.97	75	2.84	72	1.56
3	3.50	89	6.00	152	2.50	64	5.00	127	0.38	10	3.60	91	3.47	88	2.15
3 1/2	4.00	102	6.00	152	3.00	76	5.50	140	0.38	10	4.10	104	3.97	101	-
4	4.50	114	6.00	152	3.00	76	6.19	157	0.44	11	4.59	117	4.47	114	3.05
5	5.56	141	8.00	203	3.00	76	7.31	186	0.44	11	5.68	144	5.53	141	5.30
6	6.62	168	8.00	203	3.50	89	8.50	216	0.50	13	6.74	171	6.59	168	6.90
8	8.62	219	8.00	203	4.00	102	10.62	270	0.50	13	8.74	222	8.59	218	10.45
10	10.75	273	10.00	254	5.00	127	12.75	324	0.50	13	10.91	277	10.72	272	18.15
12	12.75	324	10.00	254	6.00	152	15.00	381	0.50	13	12.91	328	12.72	323	22.25
14	14.00	356	12.00	305	6.00	152	16.25	413	0.50	13	14.17	360	13.97	355	29.05
16	16.00	406	12.00	305	6.00	152	18.50	470	0.50	13	16.18	411	15.97	406	32.69
18	18.00	457	12.00	305	6.00	152	21.00	533	0.50	13	18.19	462	17.97	456	38.60
20	20.00	508	12.00	305	6.00	152	23.00	584	0.50	13	20.24	514	19.97	507	42.68
22	22.00	559	12.00	305	6.00	152	25.25	641	0.50	13	22.24	565	21.97	558	-
24	24.00	610	12.00	305	6.00	152	27.25	692	0.50	13	24.24	616	23.97	609	51.30

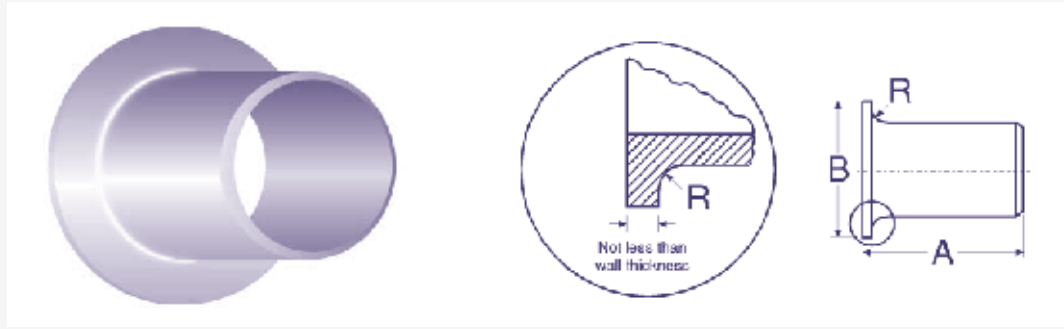
NOTES:

- Dimensions quoted in mm are 'Nominal' values from B16.9 (rounded equivalents of the inch dimensions). Refer to B16.9 for additional 'Max' and 'Min' metric dimensions.
- OD of barrel max and min dimensions (in and mm) are rounded. Refer to B16.9 for the exact values.
- Long pattern stub ends are standard. Purchaser should specify if short pattern is required. Long pattern stub ends are also known as ASA Stub Ends. Short pattern stub ends are used with larger flanges in Classes 300 and 600, and with most sizes in Class 900 and higher. When long pattern stub ends are used with flanges in Classes 1500 and 2500, it may be necessary to increase the length A.
- Additional lap thickness must be provided for special facings (e.g. tongue and groove); this is within length A.
- Dimension B conforms to ASME/ANSI B16.5, Pipe Flanges and Forged Fittings.
- Gasket face finish shall be accordance with ASME/ANSI B16.5 for raised face flanges.
- For tolerances see page 37.

¹ Long pattern weights are listed (short pattern weights are similar to MSS SP-43 lap joint stub ends, page 34). Weights are approximate and based on manufacturers' data (where available) for Schedule 40S/Standard fittings. See page 38 for further information.

Butt Weld Fittings

RANGE/SIZES
LAP JOINT
STUB ENDS
MSS SP-43



DIMENSIONS (BASED ON MSS SP-43) AND EXAMPLE WEIGHTS

Nominal Pipe Size	Common		Length		Diameter of Lap		Radius of Fillet				Weight
	OD at Bevel		A		B		Type A for Lap Joint Flange		Type B for Slip-on Flange		40S/STD ¹
	in	mm	in	mm	in	mm	in	mm	in	mm	kg/piece
1/2	0.84	21	2.00	51	1.38	35	0.12	3.05	0.03	0.76	0.09
3/4	1.05	27	2.00	51	1.69	43	0.12	3.05	0.03	0.76	0.12
1	1.32	33	2.00	51	2.00	51	0.12	3.05	0.03	0.76	0.15
1 1/4	1.66	42	2.00	51	2.50	64	0.19	4.83	0.03	0.76	0.20
1 1/2	1.90	48	2.00	51	2.88	73	0.25	6.35	0.03	0.76	0.28
2	2.38	60	2.50	64	3.62	92	0.31	7.87	0.03	0.76	0.41
2 1/2	2.88	73	2.50	64	4.12	105	0.31	7.87	0.03	0.76	0.66
3	3.50	89	2.50	64	5.00	127	0.38	9.65	0.03	0.76	0.89
3 1/2	4.00	102	3.00	76	5.50	140	0.38	9.65	0.03	0.76	-
4	4.50	114	3.00	76	6.19	157	0.44	11.18	0.03	0.76	1.51
5	5.56	141	3.00	76	7.31	186	0.44	11.18	0.06	1.52	2.66
6	6.62	168	3.50	89	8.50	216	0.50	12.70	0.06	1.52	3.02
8	8.62	219	4.00	102	10.62	270	0.50	12.70	0.06	1.52	5.22
10	10.75	273	5.00	127	12.75	324	0.50	12.70	0.06	1.52	9.08
12	12.75	324	6.00	152	15.00	381	0.50	12.70	0.06	1.52	13.35
14	14.00	356	6.00	152	16.25	413	0.50	12.70	0.06	1.52	14.53
16	16.00	406	6.00	152	18.50	470	0.50	12.70	0.06	1.52	16.34
18	18.00	457	6.00	152	21.00	533	0.50	12.70	0.06	1.52	19.30
20	20.00	508	6.00	152	23.00	584	0.50	12.70	0.06	1.52	21.34
24	24.00	610	6.00	152	27.25	692	0.50	12.70	0.06	1.52	25.65

NOTES:

- Dimensions quoted in mm are equivalents of the inch dimensions (i.e. 25.4 x in). Metric dimensions are not specified in MSS SP-43.
 - Length A and Radius R are applicable for Schedule 40S or thinner.
 - Contact faces of stub ends shall have a modified spiral or concentric serration.
 - For tolerances see page 37.
- 1 Weights are approximate and based on manufacturers' data (where available) for Schedule 40S/Standard fittings. See page 38 for further information.

FINISH AND REPAIR

SURFACE DISCONTINUITIES deeper than 5% of nominal wall thickness to be removed.

DEFECT REMOVAL BY GRINDING OR MACHINING: The following are removed:

- Surface discontinuity as above.
- Surface checks (fishscale) deeper than 1/64in (0.4mm).
- Mechanical marks deeper than 1/16in (1.6mm).
- When removal reduces wall thickness below 87.5% of nominal, the fitting is rejected or repaired.

DEFECT REPAIR BY WELDING

- Permitted for fitting made to specifications.
- Purchaser agreement is necessary for weld repair of special fitting.
- Repair is limited to 10% of outside surface and 33 1/3% of nominal wall thickness.
- All weld repairs are examined using liquid penetration test.
- There should be no cracks in prepared cavities, or in finished weld, or in the surrounding 1/2in (13mm) of base metal.

TENSILE REQUIREMENTS

Grade	UNS	Tensile Strength min		Yield Strength min		Elongation min% in 4D	
		ksi	MPa	ksi	MPa	Longit %	Trans %
All	All	75	515	30	205	28	20
All = All grades listed in the chemical composition table except those listed below							
304L	S30403	70	485	25	170	28	20
316L	S31603	70	485	25	170	28	20
304N	S30451	80	550	35	240	28	20
316N	S31651	80	550	35	240	28	20
XM-19	S20910	100	690	55	380	28	20
	S31254	94-119	650-820	44	300	28	20
	S34565	115	795	60	415	28	20
	S33228	73	500	27	185	28	20

NOTES:

- Grades or UNS designations are prefixed with letters 'WP' or 'CR' to indicate class.

Butt Weld Fittings

SPECIFICATIONS

ASTM A403

Butt Weld Fittings

SPECIFICATIONS GENERAL

APPLICABLE SPECIFICATIONS

Specifications applicable to butt welding fittings are as follows:

ASME/ANSI B16.9-2007: Factory-made wrought steel butt welding fittings.

ASME/ANSI B16.28-1997: Wrought steel butt welding short radius elbows and returns.

MSS SP-43 1991, REAFFIRMED 1996: Wrought stainless steel butt welding fittings. This applies to 5S, 10S, and 40S wall thicknesses only.

ASME/ANSI B16.25-1997: Butt welding ends. This defines various weld bevel designs and dimensions, beyond the scope of this manual.

WALL THICKNESSES: Fittings are manufactured to match the wall thicknesses of pipe.

WEIGHTS quoted in the fitting tables are based on manufacturers' data and are approximate. Actual weights may vary from those quoted depending on the type of construction. For austenitic and duplex stainless steel, multiply the quoted weight by 1.014. For ferritic and martensitic stainless steel, multiply the quoted weight by 0.985.

MANUFACTURE AND TEST

MATERIALS AND MANUFACTURE: ASME/ANSI and MSS stainless steel butt welding fittings are most commonly manufactured to ASTM A403.

PRODUCTION TESTING: Test requirements are defined in ASTM A430.

ASME/ANSI TEST REQUIREMENTS: B16.9 and B16.28 do not require production testing of fittings although they must be capable of withstanding the rated pressure:

PRESSURE RATINGS: The rated pressure is as for straight seamless pipe of equivalent NPS, wall thickness and material.

PROOF TESTING: To qualify the fitting design comprises a bursting strength test. The fitting is required to withstand, without rupture, 105% of the pressure P given by: $P=(2St) / D$ where:

S = Actual ultimate tensile strength of a specimen from a representative fitting.

t = Nominal wall thickness

D = Outside Diameter

MSS SP-43 TEST REQUIREMENTS: SP-43 does not require hydrostatic testing of fittings although they must be capable of withstanding 1.5 times the pressure ratings at 100°F:

Pressure Ratings: Fittings produced to MSS SP-43 have the pressure ratings shown in this table.

Temperature Schedule 5S	Schedule 10S	
°F	Pressure, psi	
100	225	275
150	215	255
200	200	240
250	190	225
300	175	210
350	165	195
400	150	180
450	Not recommended for use at these temperatures	165
500		150
600		130
700		110
750		100

CROSS-SECTIONAL TOLERANCES FOR ALL BUTT WELDING FITTINGS (ASME/ANSI B16.9 & B16.28)

Nominal Pipe Size (NPS)	All Fittings				Wall Thickness (t)
	OD at Bevel		ID at Bevel, ±		
	in	mm	in	mm	
½ to 2½	+0.06, -0.03	+1.6, -0.8	0.03	0.8	Not less than 87.5% of nominal wall thickness
3 to 3½	±0.06	±1.6	0.06	1.6	
4	±0.06	±1.6	0.06	1.6	
5 to 6	+0.09, -0.06	+3.2, -0.8	0.06	1.6	
8	+0.09, -0.06	+3.2, -0.8	0.06	1.6	
10	+0.16, -0.12	+4.8, -3.2	0.12	3.2	
12 to 18	+0.16, -0.12	+4.8, -3.2	0.12	3.2	
20 to 24	+0.25, -0.19	+6.35, -5.8	0.19	4.8	
26 to 30	+0.25, -0.19	+6.35, -5.8	0.19	4.8	
32 to 48	+0.25, -0.19	+6.35, -5.8	0.19	4.8	

Butt Weld Fittings

SPECIFICATIONS GENERAL

DIMENSIONAL TOLERANCES FOR ELBOWS AND RETURNS (ASME/ANSI B16.9 & B16.28)

Nominal Pipe Size (NPS)	90° and 45° Long Radius Elbows, 90° Short Radius Elbows, and Tees		180° Returns			
	Centre-to-End Dimension, ± A, B		Centre-to-Centre Dimension, ± B (=2 x A)		Back-to-face Dimension, ± C	
	in	mm	in	mm	in	mm
½ to 2½	0.06	1.6	0.25	6.35	0.25	6.35
3 to 3½	0.06	1.6	0.25	6.35	0.25	6.35
4	0.06	1.6	0.25	6.35	0.25	6.35
5 to 6	0.06	1.6	0.25	6.35	0.25	6.35
8	0.06	1.6	0.25	6.35	0.25	6.35
10	0.09	1.6	0.38	10.0	0.25	6.35
12 to 18	0.09	2.4	0.38	10.0	0.25	6.35
20 to 24	0.09	2.4	0.38	10.0	0.25	6.35
26 to 30	0.12	2.4	-	-	-	-
32 to 48	0.19	4.8	-	-	-	-

DIMENSIONAL TOLERANCES FOR REDUCERS, END CAPS AND STUB ENDS (ASME/ANSI B16.9)

Nominal Pipe Size (NPS)	Reducers and Lap Joint Stub Ends		End Caps		Lap Joint Stub Ends				OD of Barrel
	Overall Length, ± A		Overall Length, ± A		OD of Lap B		Fillet Radius of Lap R		
	in	mm	in	mm	in	mm	in	mm	
½ to 2½	0.06	1.6	0.12	3.2	+0, -0.03	+0, -1	+0, -0.03	+0, -1	See Lap Joint Stub Ends table for limiting dimension (pages 3-10)
3 to 3½	0.06	1.6	0.12	3.2	+0, -0.03	+0, -1	+0, -0.03	+0, -1	
4	0.06	1.6	0.12	3.2	+0, -0.03	+0, -1	+0, -0.06	+0, -2	
5 to 6	0.06	1.6	0.25	6.35	+0, -0.03	+0, -1	+0, -0.06	+0, -2	
8	0.06	1.6	0.25	6.35	+0, -0.03	+0, -1	+0, -0.06	+0, -2	
10	0.09	1.6	0.25	6.35	+0, -0.06	+0, -2	+0, -0.06	+0, -2	
12 to 18	0.09	2.4	0.25	6.35	+0, -0.06	+0, -2	+0, -0.06	+0, -2	
20 to 24	0.09	2.4	0.25	6.35	+0, -0.06	+0, -2	+0, -0.06	+0, -2	
26 to 30	0.19	2.4	0.38	10.0	-	-	-	-	
32 to 48	0.19	4.8	0.38	10.0	-	-	-	-	

Butt Weld Fittings WEIGHTS

BUTT WELD FITTING WEIGHTS

As mentioned previously, the ANSI/ASME and MSS butt weld fitting specifications do not specify wall thicknesses and weights for fittings. Weights quoted in the dimension and weight tables are therefore based on manufacturers' information and should be considered as approximate and provided as a guide only (fitting weights can vary considerably between manufacturers due to differences in construction). The example weights quoted are for 40S or Standard (STD) wall thicknesses only. It is possible to calculate the approximate weight at any other wall thicknesses using the factors provided in the table below. These factors are calculated from the ANSI/ASME B36.19M and B36.10M pipe weights and are based on the proportional relationship of the pipe weights (kg/m) to the weights of 40S and STD wall thickness pipe at each NPS.

ASME/ANSI pipe sizes and weight multiplication factors for use in obtaining approximate fitting weights. For use with the example (40S/STD) weights provided in the ANSI/ASME tables of this section.

Multiplication Factors = Proportional relationship of pipe weights to 40S or STD pipe at each NPS ¹ . Multiply the example 40S/STD fitting weights (at the required NPS) by the factors below (at the same NPS) to give approximate weights at different wall thicknesses.																	
NPS	5S	10S	40S	80S	10	20	30	40	STD	60	XS	80	100	120	140	160	XXS
1/8	-	0.76	1.00	1.27	-	-	0.86	1.00	1.00	-	1.27	1.27	-	-	-	-	-
1/4	-	0.78	1.00	1.27	-	-	0.86	1.00	1.00	-	1.27	1.27	-	-	-	-	-
3/8	-	0.75	1.00	1.31	-	-	0.83	1.00	1.00	-	1.31	1.31	-	-	-	-	-
1/2	0.64	0.79	1.00	1.28	-	-	0.88	1.00	1.00	-	1.28	1.28	-	-	-	1.54	2.01
3/4	0.61	0.76	1.00	1.30	-	-	0.85	1.00	1.00	-	1.30	1.30	-	-	-	1.72	2.15
1	0.52	0.84	1.00	1.30	-	-	0.87	1.00	1.00	-	1.30	1.30	-	-	-	1.70	2.18
1 1/4	0.49	0.80	1.00	1.32	-	-	0.85	1.00	1.00	-	1.32	1.32	-	-	-	1.65	2.29
1 1/2	0.47	0.77	1.00	1.34	-	-	0.87	1.00	1.00	-	1.34	1.34	-	-	-	1.79	2.36
2	0.44	0.72	1.00	1.38	-	-	0.82	1.00	1.00	-	1.38	1.38	-	-	-	2.04	2.47
2 1/2	0.43	0.61	1.00	1.32	-	-	0.93	1.00	1.00	-	1.32	1.32	-	-	-	1.73	2.36
3	0.40	0.57	1.00	1.35	-	-	0.88	1.00	1.00	-	1.35	1.35	-	-	-	1.89	2.45
3 1/2	0.38	0.55	1.00	1.37	-	-	0.84	1.00	1.00	-	1.37	1.37	-	-	-	-	-
4	0.36	0.52	1.00	1.39	-	-	0.80	1.00	1.00	-	1.39	1.39	-	1.76	-	2.09	2.55
5	0.44	0.53	1.00	1.42	-	-	-	1.00	1.00	-	1.42	1.42	-	1.85	-	2.26	2.64
6	0.40	0.49	1.00	1.51	-	-	-	1.00	1.00	-	1.51	1.51	-	1.92	-	2.39	2.80
8	0.35	0.47	1.00	1.52	-	0.78	0.87	1.00	1.00	1.25	1.52	1.52	1.78	2.13	2.37	2.62	2.54
10	0.38	0.46	1.00	1.59	-	0.69	0.85	1.00	1.00	1.35	1.35	1.59	1.90	2.21	2.57	2.86	2.57
12	0.42	0.49	1.00	1.79	-	0.67	0.88	1.08	1.00	1.47	1.32	1.79	2.16	2.53	2.82	3.23	2.53
14	0.42	0.51	-	-	0.67	0.83	1.00	1.16	1.00	1.56	1.32	1.94	2.40	2.76	3.12	3.46	-
16	0.45	0.51	-	-	0.67	0.83	1.00	1.32	1.00	1.72	1.32	2.18	2.73	3.07	3.57	3.92	-
18	0.45	0.51	-	-	0.67	0.83	1.16	1.48	1.00	1.96	1.32	2.42	2.94	3.46	3.88	4.37	-
20	0.51	0.59	-	-	0.67	1.00	1.32	1.57	1.00	2.12	1.32	2.66	3.26	3.80	4.34	4.82	-
22	0.51	0.58	-	-	0.67	1.00	1.32	-	1.00	2.28	1.32	2.89	3.50	4.08	4.65	5.21	-
24	0.58	0.67	-	-	0.67	1.00	1.49	1.81	1.00	2.52	1.33	3.13	3.88	4.54	5.10	5.73	-
26	-	-	-	-	0.83	1.33	-	-	1.00	-	1.33	-	-	-	-	-	-
28	-	-	-	-	0.83	1.33	1.65	-	1.00	-	1.33	-	-	-	-	-	-
30	0.67	0.83	-	-	0.83	1.33	1.65	-	1.00	-	1.33	-	-	-	-	-	-
32	-	-	-	-	0.83	1.33	1.65	1.82	1.00	-	1.33	-	-	-	-	-	-
34	-	-	-	-	0.83	1.33	1.66	1.82	1.00	-	1.33	-	-	-	-	-	-
36	-	-	-	-	0.83	1.33	1.65	1.98	1.00	-	1.33	-	-	-	-	-	-
38	-	-	-	-	-	-	-	-	1.00	-	1.33	-	-	-	-	-	-
40	-	-	-	-	-	-	-	-	1.00	-	1.33	-	-	-	-	-	-
42	-	-	-	-	-	-	-	-	1.00	-	1.33	-	-	-	-	-	-
44	-	-	-	-	-	-	-	-	1.00	-	1.33	-	-	-	-	-	-
46	-	-	-	-	-	-	-	-	1.00	-	1.29	-	-	-	-	-	-
48	-	-	-	-	-	-	-	-	1.00	-	1.33	-	-	-	-	-	-

NOTES:

1 The relationship between pipe weights at each NPS can strictly only be applied to fittings where the same proportional relationship is maintained in the fitting. Less accurate results will therefore be obtained for reducing tees, for example, than for elbows, equal tees, etc. The type of fitting construction may also make the factors inaccurate.

Introduction

BSP fittings are a family of fittings used to connect up threaded pipe and equipment.

They are manufactured from pipe, bar, hollow bar, castings or forgings.

The pipe to be threaded must have a wall thickness of Schedule 40S minimum.

The fittings are used in non-critical, low pressure applications where welding is not possible or required. They therefore provide a relatively low cost method of connection.

BSP fittings are made only in type 316.

BSP fittings are usually fitted with a sealant (paste or tape such as PTFE) and are considered to be permanent pipe-work.

Low Pressure BSP Fittings are rated at 150lb and are made to wrought iron specification BS 1740.










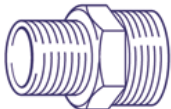









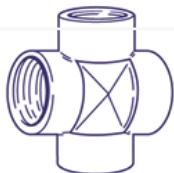
They are provided with a Certificate of Conformity only, and not a full Test Certificate.

Sizes 1/8 to 3 inch are the most commonly used and thus the most readily available.

External MALE threads are tapered and Internal FEMALE threads are parallel. The threads are cut to BS21: Part 1: 1985 and are called Whitworth Threads - see below...

BSP Fittings

RANGE

			
90° Elbow	Equal Tee	Union	45° Elbow
			
Half Socket	Socket	Round Nut	Reducing Socket
			
Hexagon Nipple	Reducing Nipple	Equal Nipple	Cap
			
Barrel Nipple	Welding Nipple	Square Head Plug	Hexagon Head Plug
			
Hose Connector	Reducing Bush	Hexagon Nut	Cross

BSP Fittings

SIZES SPECIFICATIONS

DIMENSIONS

Nominal Size of Outlet		D Min O/D	E Min O/D of body behind external thread	d Min I/D of body behind internal thread	No. of threads per inch
in	mm	mm	mm	mm	
1/4	6	15.0	9.8	8.6	28
5/16	8	18.5	13.3	11.4	19
3/8	10	22.0	16.8	15.0	19
5/8	15	27.0	21.1	18.6	14
3/4	20	32.5	26.6	24.1	14
1	25	39.5	33.4	30.3	11
1 1/4	32	49.0	42.1	39.0	11
1 1/2	40	56.0	48.0	44.8	11
2	50	68.0	59.8	56.7	11
2 1/2	65	84.0	75.4	72.2	11
3	75	98.0	88.1	84.9	11
4	100	124.0	113.3	110.1	11
5	125	151.0	138.7	135.5	11
6	150	178.0	164.1	160.9	11

THREADING REQUIREMENTS

Fittings manufactured to BS 1740 are threaded in accordance with BS 21:1985, Pipe threads for tubes and fittings where pressure-tight joints are made on the threads.



Internal Parallel Thread (R_p)






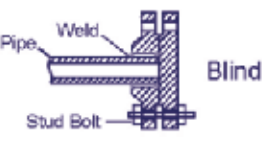





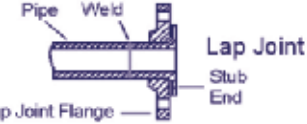


External Taper Thread (R)

TOLERANCES (BS 1740)

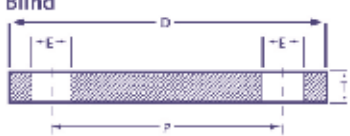
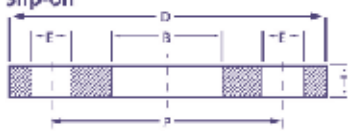
Nominal Pipe Size	Length of Socket Unions	Length or Centre to Face Tolerances for Other Fittings
	±mm	±mm
≤25	6	1.5
25 to 40	6	3.0
>40 to 65	10	4.5
>65 to 75	12	6.0
>75 to 110	16	-
>75 to 150	-	8.0
>150	-	10.0

Introduction

Flanges

Type	Joining Method	General Description
<p>Weld Neck</p> 		<p>Used in critical applications. These are circumferentially welded onto the system at their necks which means that the integrity of the butt-welded area can easily be examined by X-ray radiography. The bores of both pipe and flange match thus reducing turbulence and erosion.</p>
<p>Slip On</p> 		<p>This is slipped over the pipe and then fillet welded. Easy to use in fabricated applications.</p>
<p>Blind</p> 		<p>Sometimes called a blanking flange, this is used for blanking off pipelines, valves and pumps and as an inspection cover.</p>
<p>Socket Weld</p> 		<p>This is counter-bored to accept the pipe, which is then fillet welded. The bore of both the pipe and the flange are the same to ensure good flows.</p>
<p>Screwed/Threaded</p> 		<p>This requires no welding and is used to connect other threaded components in low pressure noncritical applications.</p>
<p>Lap Joint</p> 		<p>These are always used with either a stub end or a taft which is butt-welded to the pipe with the flange loose behind it. Thus the stub end or the taft always provides the sealing face. Easily assembled and aligned, it is favoured in low pressure applications. To reduce cost these 'backing' flanges can be supplied without a hub and/or made from coated carbon steel.</p>
<p>Ring Type Joint</p> 		<p>This can be employed on Weld Neck, Slip On or Blind Flanges for leak-proof connection at high pressures. The seal is made by a metal ring being compressed into a hexagonal groove on the flange face.</p>

Flanges

Type	General Description
<p>Plate or Table (BS 10 :1962)</p> <p>Standard BS10 Flanges</p> <p>Blind</p>  <p>Slip-on</p> 	<p>These are produced to suit Nominal Bore/NPS Pipe Sizes. They are produced from bar or plate rather than forgings and are not pressure-rated.</p> <p>Blind and Slip-On, flat-faced, types are readily available in grades 304L and 316L in sizes from 1/2" to 6" as Table D and Table E, with larger sizes and other Tables (thicknesses) made to order.</p> <p>These economical flanges are used for light-duty applications where corrosion resistance is the primary consideration rather than high pressure or temperature.</p>
<p>BS EN 1092 Part 1 Also referred to as PN Flanges (Formerly BS4504)</p>	<p>These are not interchangeable with ANSI Flanges. They are readily available in types 304L and 316L with various pressure ratings of which 10 Bar and 16 Bar are the most commonly used</p>
<p>Metric ND/DN</p>	<p>Please refer to information about the Metric ND product range pages 77-83</p>
<p>Hygienic</p>	<p>Please refer to information about the Hygienics product range pages 64-76</p>

FLANGE FACES

Of the four choices available the most common configurations are:

- For ANSI and BS EN 1092 – Raised Face
- BS 10 – Flat Face.

NOTE This does not apply to Screwed or Lap Joint Flanges.

Type	General Description
Raised Face	To facilitate welding
Flat Face	
Ring Type Joint (RJT)	For leak-proof connection at high pressures
Tongue and Groove - Small or Large	

FINISH

The finish is given as a surface roughness measured as Arithmetic Average Roundness Height (AARH). The finish requirements are stipulated by the standards, such as ANSI B16.5 and are within the range 125AARH to 500AARH, which is equivalent to 3.2 to 12.5 Ra.

PRESSURE RATINGS

Flanges

(The pressure rating will also determine the dimensions of the flange – Full details can be found in the relevant specification.)

Flange Type	ANSI B16.5	ANSI B16.47 Series A MSS SP-44	ASME B16.47 Series B API 605	BS EN 1092/ (BS4504)
	lbs	lbs*	lbs*	Bar
Weld Neck	150-2500	150-900	150-300	2.5-40
Weld Neck Ring Type Joint	300-2500	300-900	150-300	N/A
Slip On	150-1500	-	-	2.5-40
Slip On Ring Type Joint	300-1500	-	-	N/A
Threaded	150-2500	-	-	6-40
Lap Joint	150-2500	-	-	6-40
Blind	150-2500	-	-	2.5-40
Socket Weld	150-1500	-	-	N/A

NOTES

- * Flange sizes 26" and above.

WHAT SEMI-FINISHED PRODUCT ARE FLANGES MADE FROM?

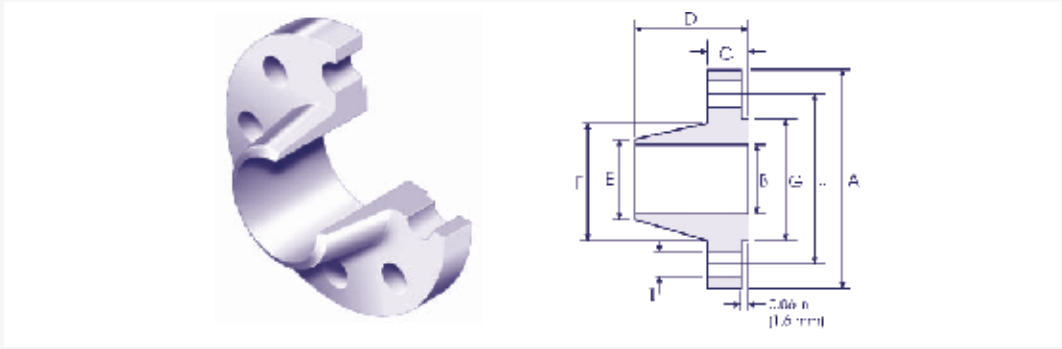
	Forging A182	Plate ASTM A240	Bar	Casting
ANSI B16.5	✓	✓	-	-
BS 3293	✓	-	-	-
MSS SP-44	✓	-	-	-
API 605	✓	-	-	-
BS EN 1092/(BS4504)	✓	✓	-	✓
BS 10	✓	✓	✓	✓

NOTES

- ASTM A240 plate can be used to manufacture ANSI B16.5 blind flanges, but this is not generally accepted in the UK.
- Most small BS 10 flanges are normally made from bar as this is the most economical manufacturing process.

Flanges

RANGE/SIZES
WELD NECK
FLANGES
ANSI B16.5



CLASS 150 LB

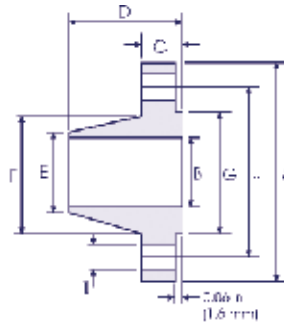
Pipe		Flange Data				Hub Data			Raised Face	Drilling Data		Weight
Nominal Pipe Size	Outside Diameter	A	B	C	D	E	F	G	H	I	J	kg/ piece
		Overall Diameter	Inside Diameter	Flange Thickness min	Overall Length	Diameter at Weld Bevel	Hub Diameter	Face Diameter	Number of Holes	Bolt Hole Diameter	Diameter of Circle of Holes	
	in mm	in mm	in mm	in mm	in mm	in mm	in mm	in mm		in mm	in mm	
1/2	0.840 21.30	3.500 88.90	0.620 15.70	0.440 11.20	1.880 47.80	0.840 21.30	1.190 30.20	1.380 35.00	4	0.620 15.70	2.380 60.45	0.48
3/4	1.050 26.70	3.880 98.60	0.820 20.80	0.500 12.70	2.060 52.30	1.050 26.70	1.500 38.10	1.690 42.90	4	0.620 15.70	2.750 69.85	0.71
1	1.315 33.40	4.250 108.0	1.050 26.70	0.560 14.20	2.190 55.60	1.320 33.50	1.940 49.30	2.000 50.80	4	0.620 15.70	3.120 79.25	1.01
1 1/4	1.660 42.20	4.620 117.3	1.380 35.10	0.620 15.70	2.250 57.15	1.660 42.20	2.310 58.70	2.500 63.50	4	0.620 15.70	3.500 88.90	1.33
1 1/2	1.900 48.30	5.000 127.0	1.610 40.90	0.690 17.50	2.440 62.00	1.900 48.30	2.560 65.00	2.880 73.15	4	0.620 15.70	3.880 98.60	1.72
2	2.375 60.30	6.000 152.4	2.070 52.60	0.750 19.10	2.500 63.50	2.380 60.45	3.060 77.70	3.620 91.90	4	0.750 19.10	4.750 120.7	2.58
2 1/2	2.875 73.00	7.000 177.8	2.470 62.70	0.880 22.40	2.750 69.85	2.880 73.15	3.560 90.40	4.120 104.6	4	0.750 19.10	5.500 139.7	4.11
3	3.500 88.90	7.500 190.5	3.070 78.00	0.940 23.90	2.750 69.85	3.500 88.90	4.250 108.0	5.000 127.0	4	0.750 19.10	6.000 152.4	4.92
3 1/2	4.000 101.6	8.500 215.9	3.550 90.20	0.940 23.90	2.810 71.40	4.000 101.6	4.810 122.2	5.500 139.7	8	0.750 19.10	7.000 177.8	6.08
4	4.500 114.3	9.000 228.6	4.030 102.4	0.940 23.90	3.000 76.20	4.500 114.3	5.310 134.9	6.190 157.2	8	0.750 19.10	7.500 190.5	6.84
5	5.563 141.3	10.00 254.0	5.050 128.3	0.940 23.90	3.500 88.90	5.560 141.2	6.440 163.6	7.310 185.7	8	0.880 22.40	8.500 215.9	8.56
6	6.625 168.3	11.00 279.4	6.070 154.2	1.000 25.40	3.500 88.90	6.630 168.4	7.560 192.0	8.500 215.9	8	0.880 22.40	9.500 241.3	10.6
8	8.625 219.1	13.50 342.9	7.980 202.7	1.120 28.40	4.000 101.6	8.630 219.2	9.690 246.1	10.62 269.7	8	0.880 22.40	11.75 298.5	17.6
10	10.75 273.0	16.00 406.4	10.02 254.5	1.190 30.20	4.000 101.6	10.75 273.0	12.00 304.8	12.75 323.8	12	1.000 25.40	14.25 362.0	24.0
12	12.75 323.8	19.00 482.6	12.00 304.8	1.250 31.75	4.500 114.3	12.75 323.8	14.38 365.3	15.00 381.0	12	1.000 25.40	17.00 431.8	36.5
14	14.00 355.6	21.00 533.4	To be specified by Purchaser	1.380 35.10	5.000 127.0	14.00 355.6	15.75 400.1	16.25 412.7	12	1.120 28.40	18.75 476.3	48.4
16	16.00 406.4	23.50 596.9		1.440 36.60	5.000 127.0	16.00 406.4	18.00 475.2	18.50 469.9	16	1.120 28.40	21.25 539.8	60.6
18	18.00 457.2	25.00 635.0		1.560 39.60	5.500 139.7	18.00 457.2	19.88 505.0	21.00 533.4	16	1.250 31.75	22.75 577.9	68.3
20	20.00 508.0	27.50 698.5		1.690 42.90	5.690 144.5	20.00 508.0	22.00 558.8	23.00 584.2	20	1.250 31.75	25.00 635.0	84.5
24	24.00 609.6	32.00 812.8		1.880 47.80	6.000 152.4	24.00 609.6	26.12 663.4	27.25 692.1	20	1.380 35.10	29.50 749.3	115

NOTES

- Dimension B corresponds to the pipe inside diameter. Values quoted assume 40S/Standard wall thickness.
- Weights are based on manufacturer's data and are approximate.
- Flat face flanges may be provided at full thickness, C, or with raised face removed (the latter is nonstandard).
- For tolerances see page 52.

Flanges

RANGE/SIZES
WELD NECK
FLANGES
ANSI B16.5



CLASS 300 LB

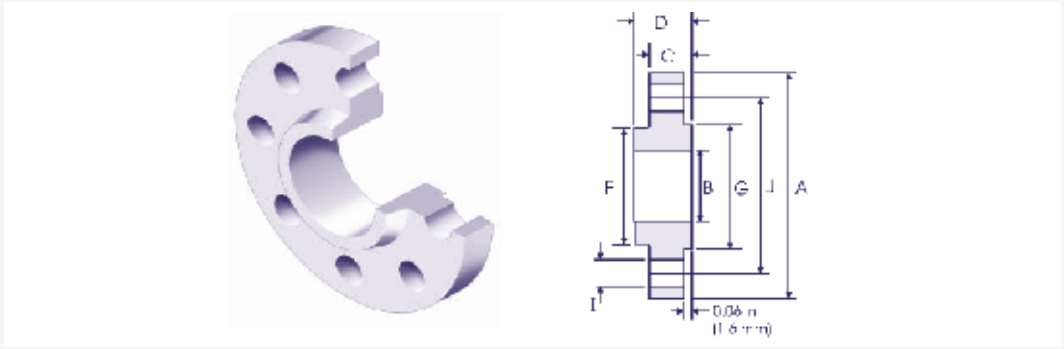
Nominal Pipe Size	Pipe		Flange Data				Hub Data		Raised Face	Drilling Data			Weight kg/ piece
	Outside Diameter	A	B	C	D	E	F	G	H	I	J		
	in mm	Overall Diameter in mm	Inside Diameter in mm	Flange Thickness min in mm	Overall Length in mm	Diameter at Weld Bevel in mm	Hub Diameter in mm	Face Diameter in mm	Number of Holes	Bolt Hole Diameter in mm	Diameter of Circle of Holes in mm		
1/2	0.840 21.30	3.750 95.20	0.620 15.70	0.560 14.20	2.060 52.30	0.840 21.30	1.500 38.10	1.380 35.00	4	0.620 15.70	2.620 66.55	0.75	
3/4	1.050 26.70	4.620 117.3	0.820 20.80	0.620 15.70	2.250 57.15	1.050 26.70	1.880 47.70	1.690 42.90	4	0.750 19.00	3.250 82.50	1.26	
1	1.315 33.40	4.880 123.9	1.050 26.70	0.690 17.50	2.440 62.00	1.320 33.50	2.120 53.80	2.000 50.80	4	0.750 19.00	3.500 88.90	1.52	
1 1/4	1.660 42.20	5.250 133.3	1.380 35.10	0.750 19.00	2.560 65.00	1.660 42.20	2.500 63.50	2.500 63.50	4	0.750 19.00	3.880 98.50	2.03	
1 1/2	1.900 48.30	6.120 155.4	1.610 40.90	0.810 20.60	2.690 68.30	1.900 48.30	2.750 69.85	2.880 73.15	4	0.880 22.30	4.500 114.3	2.89	
2	2.375 60.30	6.500 165.1	2.070 52.60	0.880 22.30	2.750 69.85	2.380 60.45	3.310 84.00	3.620 91.90	8	0.750 19.00	5.000 127.0	3.40	
2 1/2	2.875 73.00	7.500 190.5	2.470 62.70	1.000 25.40	3.000 76.20	2.880 73.15	3.940 100.0	4.120 104.6	8	0.880 22.30	5.880 149.3	5.17	
3	3.500 88.90	8.250 209.5	3.070 78.00	1.120 28.40	3.120 79.25	3.500 88.90	4.620 117.3	5.000 127.0	8	0.880 22.30	6.620 168.1	6.93	
3 1/2	4.000 101.6	9.000 228.6	3.550 90.20	1.190 30.20	3.190 81.00	4.000 101.6	5.250 133.3	5.500 139.7	8	0.880 22.30	7.250 184.1	8.67	
4	4.500 114.3	10.00 254.0	4.030 102.4	1.250 31.70	3.380 85.80	4.500 114.3	5.750 146.0	6.190 157.2	8	0.880 22.30	7.880 200.1	11.2	
5	5.563 141.3	11.00 279.4	5.050 128.3	1.380 35.00	3.880 98.50	5.560 141.2	7.000 177.8	7.310 185.7	8	0.880 22.30	9.250 234.9	15.1	
6	6.625 168.3	12.50 317.5	6.070 154.2	1.440 36.50	3.880 98.50	6.630 168.4	8.120 206.2	8.500 215.9	12	0.880 22.30	10.62 269.7	19.1	
8	8.625 219.1	15.00 381.0	7.980 202.7	1.620 41.10	4.380 111.2	8.630 219.2	10.25 260.3	10.62 269.7	12	1.000 25.40	13.00 330.2	29.9	
10	10.75 273.0	17.50 444.5	10.02 254.5	1.880 47.70	4.620 117.3	10.75 273.0	12.62 320.5	12.75 323.8	16	1.120 28.40	15.25 387.3	42.7	
12	12.75 323.8	20.50 520.7	12.00 304.8	2.000 50.80	5.120 130.0	12.75 323.8	14.75 374.6	15.00 381.0	16	1.250 31.70	17.75 450.8	61.8	
14	14.00 355.6	23.00 584.2	To be specified by Purchaser	2.120 53.80	5.620 142.7	14.00 355.6	16.75 425.4	16.25 412.7	20	1.250 31.70	20.25 514.3	85.8	
16	16.00 406.4	25.50 647.7		2.250 57.15	5.750 146.0	16.00 406.4	19.00 482.6	18.50 469.9	20	1.380 35.00	22.50 571.5	106	
18	18.00 457.2	28.00 711.2		2.380 60.45	6.250 158.7	18.00 457.2	21.00 533.4	21.00 533.4	24	1.380 35.00	24.75 628.6	131	
20	20.00 508.0	30.50 774.7		2.500 63.50	6.380 162.0	20.00 508.0	23.12 587.2	23.00 584.2	24	1.380 35.00	27.00 685.8	158	
24	24.00 609.6	36.00 914.4		2.750 69.85	6.620 168.1	24.00 609.6	27.62 701.5	27.25 692.1	24	1.620 41.10	32.00 812.8	230	

NOTES

- Dimension B corresponds to the pipe inside diameter. Values quoted assume 40S/Standard wall thickness.
- Weights are based on manufacturer's data and are approximate.
- Flat face flanges may be provided at full thickness, C, or with raised face removed (the latter is nonstandard).
- For tolerances see page 52.

Flanges

RANGE/SIZES
SLIP ON FLANGES
ANSI B16.5



CLASS 150 LB

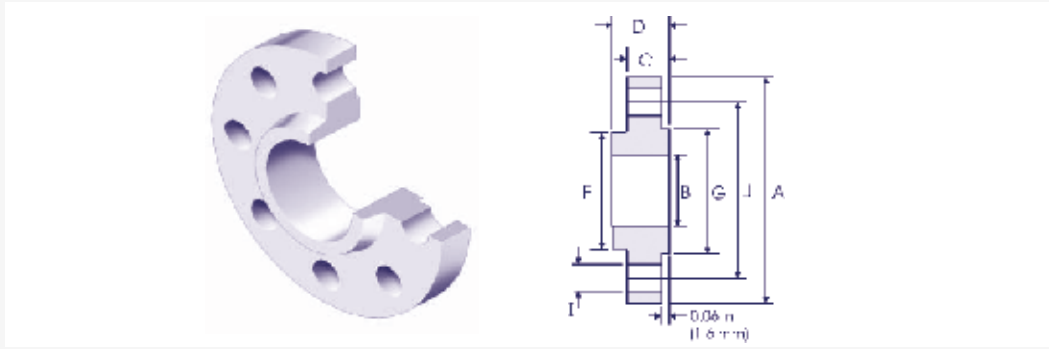
Nominal Pipe Size	Pipe		Flange Data				Hub		Raised Face	Drilling Data		Weight kg/ piece
	Outside Diameter	A	B	C	D	F	G	H	I	J		
	in mm	Overall Diameter in mm	Inside Diameter in mm	Flange Thickness min in mm	Overall Length in mm	Hub Diameter in mm	Face Diameter in mm	Number of Holes	Bolt Hole Diameter in mm	Diameter of Circle of Holes in mm		
1/2	0.840 21.30	3.500 88.90	0.880 22.40	0.440 11.20	0.620 15.70	1.190 30.20	1.380 35.10	4	0.620 15.70	2.380 60.45	0.39	
3/4	1.050 26.70	3.880 98.60	1.090 27.70	0.500 12.70	0.620 15.70	1.500 38.10	1.690 42.90	4	0.620 15.70	2.750 69.85	0.56	
1	1.315 33.40	4.250 108.0	1.360 34.50	0.560 14.20	0.690 17.50	1.940 49.30	2.000 50.80	4	0.620 15.70	3.120 79.25	0.78	
1 1/4	1.660 42.20	4.620 117.3	1.700 43.20	0.620 15.70	0.810 20.60	2.310 58.70	2.500 63.50	4	0.620 15.70	3.500 88.90	1.03	
1 1/2	1.900 48.30	5.000 127.0	1.950 49.50	0.690 17.50	0.880 22.40	2.560 65.00	2.880 73.15	4	0.620 15.70	3.880 98.60	1.32	
2	2.375 60.30	6.000 152.4	2.440 62.00	0.750 19.10	1.000 25.40	3.060 77.70	3.620 91.90	4	0.750 19.10	4.750 120.7	2.06	
2 1/2	2.875 73.00	7.000 177.8	2.940 74.70	0.880 22.40	1.120 28.40	3.560 90.40	4.120 104.6	4	0.750 19.10	5.500 139.7	3.28	
3	3.500 88.90	7.500 190.5	3.570 90.70	0.940 23.90	1.190 30.20	4.250 108.0	5.000 127.0	4	0.750 19.10	6.000 152.4	3.85	
3 1/2	4.000 101.6	8.500 215.9	4.070 103.4	0.940 23.90	1.250 31.75	4.810 122.2	5.500 139.7	8	0.750 19.10	7.000 177.8	4.81	
4	4.500 114.3	9.000 228.6	4.570 116.1	0.940 23.90	1.310 33.30	5.310 134.9	6.190 157.2	8	0.750 19.10	7.500 190.5	5.30	
5	5.563 141.3	10.00 254.0	5.660 143.8	0.940 23.90	1.440 36.60	6.440 163.6	7.310 185.7	8	0.880 22.40	8.500 215.9	6.07	
6	6.625 168.3	11.00 279.4	6.720 170.7	1.000 25.40	1.560 39.60	7.560 192.0	8.500 215.9	8	0.880 22.40	9.500 241.3	7.45	
8	8.625 219.1	13.50 342.9	8.720 221.5	1.120 28.40	1.750 44.50	9.690 246.1	10.62 269.7	8	0.880 22.40	11.75 298.5	12.1	
10	10.75 273.0	16.00 406.4	10.88 276.3	1.190 30.20	1.940 49.30	12.00 304.8	12.75 323.9	12	1.000 25.40	14.25 362.0	16.5	
12	12.75 323.8	19.00 482.6	12.88 327.1	1.250 31.75	2.190 55.60	14.38 365.3	15.00 381.0	12	1.000 25.40	17.00 431.8	26.2	
14	14.00 355.6	21.00 533.4	14.14 359.1	1.380 35.10	2.250 57.15	15.75 400.1	16.25 412.8	12	1.120 28.40	18.75 476.3	34.6	
16	16.00 406.4	23.50 596.9	16.16 410.5	1.440 36.60	2.500 63.50	18.00 457.2	18.50 469.9	16	1.120 28.40	21.25 539.8	44.8	
18	18.00 457.2	25.00 635.0	18.18 461.8	1.560 39.60	2.690 68.30	19.88 505.0	21.00 533.4	16	1.250 31.75	22.75 577.9	48.9	
20	20.00 508.0	27.50 698.5	20.20 513.1	1.690 42.90	2.880 73.15	22.00 558.8	23.00 584.2	20	1.250 31.75	25.00 635.0	61.9	
24	24.00 609.6	32.00 812.8	24.25 616.0	1.880 47.80	3.250 82.60	26.12 663.4	27.25 692.2	20	1.380 35.10	29.50 749.3	86.9	

NOTES

- Weights are based on manufacturer's data and are approximate.
- Flat face flanges may be provided at full thickness, C, or with raised face removed (the latter is nonstandard).
- For tolerances see page 52.

Flanges

RANGE/SIZES
SLIP ON FLANGES
ANSI B16.5



CLASS 300 LB

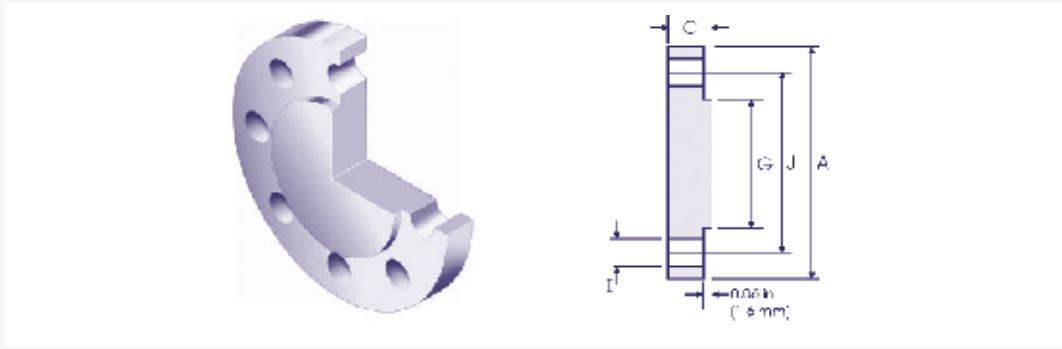
Nominal Pipe Size	Pipe		Flange Data				Hub	Raised Face	Drilling Data			Weight
	Outside Diameter	A	B	C	D	F	G	H	I	J		
	Overall Diameter	Overall Diameter	Inside Diameter	Flange Thickness min	Overall Length	Hub Diameter	Face Diameter	Number of Holes	Bolt Hole Diameter	Diameter of Circle of Holes	kg/ piece	
	in mm	in mm	in mm	in mm	in mm	in mm	in mm		in mm	in mm		
1/2	0.840 21.30	3.750 95.20	0.880 22.40	0.560 14.20	0.880 22.40	1.500 38.10	1.380 35.10	4	0.620 15.70	2.620 66.55	0.64	
3/4	1.050 26.70	4.620 117.3	1.090 27.70	0.620 15.70	1.000 25.40	1.880 47.70	1.690 42.90	4	0.750 19.10	3.250 82.50	1.12	
1	1.315 33.40	4.880 123.9	1.360 34.50	0.690 17.50	1.060 26.90	2.120 53.80	2.000 50.80	4	0.750 19.10	3.500 88.90	1.36	
1 1/4	1.660 42.20	5.250 133.3	1.700 43.20	0.750 19.00	1.060 26.90	2.500 63.50	2.500 63.50	4	0.750 19.10	3.880 98.60	1.68	
1 1/2	1.900 48.30	6.120 155.4	1.950 49.50	0.810 20.60	1.190 30.20	2.750 69.85	2.880 73.15	4	0.880 22.40	4.500 114.3	2.49	
2	2.375 60.30	6.500 165.1	2.440 62.00	0.880 22.30	1.310 33.20	3.310 84.00	3.620 91.90	8	0.750 19.10	5.000 127.0	2.87	
2 1/2	2.875 73.00	7.500 190.5	2.940 74.70	1.000 25.40	1.500 38.10	3.940 100.0	4.120 104.6	8	0.880 22.40	5.880 149.4	4.32	
3	3.500 88.90	8.250 209.5	3.570 90.70	1.120 28.40	1.690 42.90	4.620 117.3	5.000 127.0	8	0.880 22.40	6.620 168.1	5.85	
3 1/2	4.000 101.6	9.000 228.6	4.070 103.4	1.190 30.20	1.750 44.40	5.250 133.3	5.500 139.7	8	0.880 22.40	7.250 184.2	7.34	
4	4.500 114.3	10.00 254.0	4.570 116.1	1.250 31.70	1.880 47.70	5.750 146.0	6.190 157.2	8	0.880 22.40	7.880 200.1	9.61	
5	5.563 141.3	11.00 279.4	5.660 143.8	1.380 35.00	2.000 50.80	7.000 177.8	7.310 185.7	8	0.880 22.40	9.250 234.9	12.3	
6	6.625 168.3	12.50 317.5	6.720 170.7	1.440 36.50	2.060 52.30	8.120 206.2	8.500 215.9	12	0.880 22.40	10.62 269.7	15.6	
8	8.625 219.1	15.00 381.0	8.720 221.5	1.620 41.10	2.440 61.90	10.25 260.3	10.62 269.7	12	1.000 25.40	13.00 330.2	24.2	
10	10.75 273.0	17.50 444.5	10.88 276.3	1.880 47.70	2.620 66.55	12.62 320.5	12.75 323.9	16	1.120 28.40	15.25 387.3	34.1	
12	12.75 323.8	20.50 520.7	12.88 327.1	2.000 50.80	2.880 73.15	14.75 374.6	15.00 381.0	16	1.250 31.70	17.75 450.8	49.8	
14	14.00 355.6	23.00 584.2	14.14 359.1	2.120 53.80	3.000 76.20	16.75 425.4	16.25 412.8	20	1.250 31.70	20.25 514.4	69.9	
16	16.00 406.4	25.50 647.7	16.16 410.5	2.250 57.15	3.250 82.50	19.00 482.6	18.50 469.9	20	1.380 35.00	22.50 571.5	88.1	
18	18.00 457.2	28.00 711.2	18.18 461.8	2.380 60.45	3.500 88.90	21.00 533.4	21.00 533.4	24	1.380 35.00	24.75 628.7	109	
20	20.00 508.0	30.50 774.7	20.20 513.1	2.500 63.50	3.750 95.20	23.12 587.2	23.00 584.2	24	1.380 35.00	27.00 685.8	134	
24	24.00 609.6	36.00 914.4	24.25 616.0	2.750 69.85	4.190 106.4	27.62 701.5	27.25 692.2	24	1.620 41.00	32.00 812.8	201	

NOTES

- Weights are based on manufacturer's data and are approximate.
- Flat face flanges may be provided at full thickness, C, or with raised face removed (the latter is nonstandard).
- For tolerances see page 52.

Flanges

RANGE/SIZES
BLIND FLANGES
ANSI B16.5

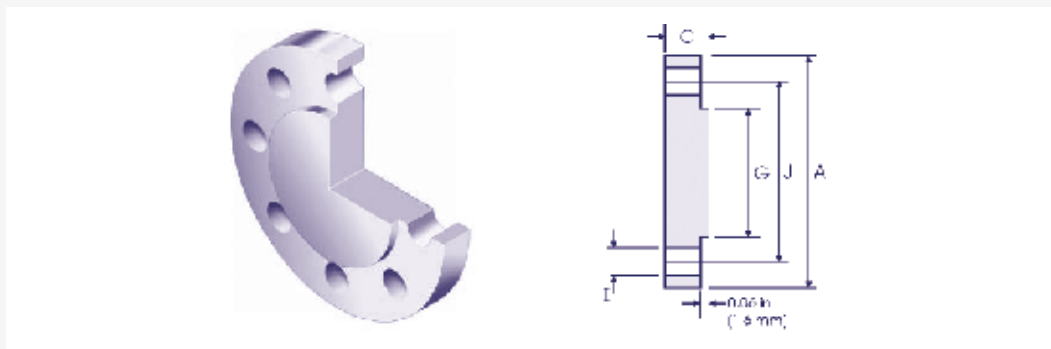


CLASS 150 LB

Nominal Pipe Size	Pipe		Flange Data		Raised Face	Drilling Data		Weight
	Outside Diameter	A Overall Diameter	C Flange Thickness min	G Face Diameter	H Number of Holes	I Bolt Hole Diameter	J Diameter of Circle of Holes	
	in mm	in mm	in mm	in mm		in mm	in mm	kg/ piece
1/2	0.840 21.30	3.500 88.90	0.440 11.20	1.380 35.10	4	0.620 15.70	2.380 60.45	0.42
3/4	1.050 26.70	3.880 98.60	0.500 12.70	1.690 42.90	4	0.620 15.70	2.750 69.85	0.61
1	1.315 33.40	4.250 108.0	0.560 14.20	2.000 50.80	4	0.620 15.70	3.120 79.25	0.86
1 1/4	1.660 42.20	4.620 117.3	0.620 15.70	2.500 63.50	4	0.620 15.70	3.500 88.90	1.17
1 1/2	1.900 48.30	5.000 127.0	0.690 17.50	2.880 73.15	4	0.620 15.70	3.880 98.60	1.53
2	2.375 60.30	6.000 152.4	0.750 19.10	3.620 91.90	4	0.750 19.10	4.750 120.7	2.42
2 1/2	2.875 73.00	7.000 177.8	0.880 22.40	4.120 104.6	4	0.750 19.10	5.500 139.7	3.94
3	3.500 88.90	7.500 190.5	0.940 23.90	5.000 127.0	4	0.750 19.10	6.000 152.4	4.93
3 1/2	4.000 101.6	8.500 215.9	0.940 23.90	5.500 139.7	8	0.750 19.10	7.000 177.8	6.17
4	4.500 114.3	9.000 228.6	0.940 23.90	6.190 157.2	8	0.750 19.10	7.500 190.5	7.00
5	5.563 141.3	10.00 254.0	0.940 23.90	7.310 185.7	8	0.880 22.40	8.500 215.9	8.63
6	6.625 168.3	11.00 279.4	1.000 25.40	8.500 215.9	8	0.880 22.40	9.500 241.3	11.3
8	8.625 219.1	13.50 342.9	1.120 28.40	10.62 269.7	8	0.880 22.40	11.75 298.5	19.6
10	10.75 273.0	16.00 406.4	1.190 30.20	12.75 323.9	12	1.000 25.40	14.25 362.0	28.8
12	12.75 323.8	19.00 482.6	1.250 31.75	15.00 381.0	12	1.000 25.40	17.00 431.8	43.2
14	14.00 355.6	21.00 533.4	1.380 35.10	16.25 412.8	12	1.120 28.40	18.75 476.3	58.1
16	16.00 406.4	23.50 596.9	1.440 36.60	18.50 469.9	16	1.120 28.40	21.25 539.8	76.0
18	18.00 457.2	25.00 635.0	1.560 39.60	21.00 533.4	16	1.250 31.75	22.75 577.9	93.7
20	20.00 508.0	27.50 698.5	1.690 42.90	23.00 584.2	20	1.250 31.75	25.00 635.0	122
24	24.00 609.6	32.00 812.8	1.880 47.80	27.25 692.2	20	1.380 35.10	29.50 749.3	185

NOTES

- Weights are based on manufacturer's data and are approximate.
- Flat face flanges may be provided at full thickness, C, or with raised face removed (the latter is nonstandard).
- For tolerances see page 52.



Flanges

RANGE/SIZES
BLIND FLANGES
ANSI B16.5

CLASS 300 LB

Nominal Pipe Size	Pipe	Flange Data			Raised Face	Drilling Data			Weight
	Outside Diameter	A Overall Diameter	C Flange Thickness min	G Face Diameter	H Number of Holes	I Bolt Hole Diameter	J Diameter of Circle of Holes		
	in mm	in mm	in mm	in mm		in mm	in mm	kg/ piece	
1/2	0.840 21.30	3.750 95.20	0.560 14.20	1.380 35.10	4	0.620 15.70	2.620 66.55	0.64	
3/4	1.050 26.70	4.620 117.3	0.620 15.70	1.690 42.90	4	0.750 19.00	3.250 82.50	1.11	
1	1.315 33.40	4.880 123.9	0.690 17.50	2.000 50.80	4	0.750 19.00	3.500 88.90	1.39	
1 1/4	1.660 42.20	5.250 133.3	0.750 19.00	2.500 63.50	4	0.750 19.00	3.880 98.50	1.79	
1 1/2	1.900 48.30	6.120 155.4	0.810 20.60	2.880 73.15	4	0.880 22.3	4.500 114.3	2.66	
2	2.375 60.30	6.500 165.1	0.880 22.30	3.620 91.90	8	0.750 19.10	5.000 127.0	3.18	
2 1/2	2.875 73.00	7.500 190.5	1.000 25.40	4.120 104.6	8	0.880 22.30	5.880 149.3	4.85	
3	3.500 88.90	8.250 209.5	1.120 28.40	5.000 127.0	8	0.880 22.30	6.620 168.1	6.81	
3 1/2	4.000 101.6	9.000 228.6	1.190 30.20	5.500 139.7	8	0.880 22.30	7.250 184.1	8.71	
4	4.500 114.3	10.00 254.0	1.250 31.70	6.190 157.2	8	0.880 22.30	7.800 200.1	11.5	
5	5.563 141.3	11.00 279.4	1.380 35.00	7.310 185.7	8	0.880 22.30	9.250 234.9	15.6	
6	6.625 168.3	12.50 317.5	1.440 36.50	8.500 215.9	12	0.880 22.30	10.62 269.7	20.9	
8	8.625 219.1	15.00 381.0	1.620 41.10	10.62 269.7	12	1.000 25.40	13.00 330.2	34.3	
10	10.75 273.0	17.50 444.5	1.880 47.70	12.75 323.9	16	1.120 28.40	15.25 387.3	53.3	
12	12.75 323.8	20.50 520.7	2.000 50.80	15.00 381.0	16	1.250 31.70	17.75 450.8	78.8	
14	14.00 355.6	23.00 584.2	2.120 53.80	16.25 412.8	20	1.250 31.70	20.25 514.3	105	
16	16.00 406.4	25.50 647.7	2.250 57.15	18.50 469.9	20	1.380 35.00	22.50 571.5	137	
18	18.00 457.2	28.00 711.2	2.380 60.45	21.00 533.4	24	1.380 35.00	24.75 628.6	175	
20	20.00 508.0	30.50 774.7	2.500 63.50	23.00 584.2	24	1.380 35.00	27.00 685.8	221	
24	24.00 609.6	36.00 914.4	2.750 69.85	27.25 692.2	24	1.620 41.10	32.00 812.8	339	

NOTES

- Weights are based on manufacturer's data and are approximate.
- Flat face flanges may be provided at full thickness, C, or with raised face removed (the latter is nonstandard).
- For tolerances see page 52.

Flanges

SPECIFICATIONS

ASTM A182

A182M

FORGED OR ROLLED ALLOY – STEEL PIPE FLANGES, FORGED FITTINGS, AND VALVES AND PARTS FOR HIGH TEMPERATURE SERVICE

This specification covers forged low alloy and stainless steel piping components for use in pressure systems. These include flanges, fittings, valves and similar parts manufactured to dimensional standards such as ASME/ANSI. Products made to this specification are limited to a maximum weight of 10,000 lb (4,540 kg).

NOTE

- Although low alloy steels are covered by this standard, only stainless steels (martensitic, ferritic, austenitic and duplex) are included in this summary.

DIMENSIONS AND TOLERANCES

ASME/ANSI SPECIFICATIONS B16.5 and B16.11 are referenced.

FLANGE DIMENSIONS AND TOLERANCES (see page 52).

MANUFACTURE

MATERIALS: Refer to chemical composition table (stainless steel grades only shown). Elements not specified in the table are not permitted, specifically selenium or other elements added for free-machining properties.

THE STEEL may be melted by electric-furnace, or vacuum-furnace, or by either of these followed by vacuum or electroslag-consumable remelting. Vacuum melting or remelting is not suitable for grades containing or modified by nitrogen. Grade F XM-27Cb may be electron-beam melted.

MANUFACTURE: The steel is forged or rolled as near as possible to size and shape of the product. Small cylindrical parts (excluding flanges) may be machined directly from forged or rolled bar without additional hot working (limits defined in ASTM A234 apply for martensitic steels, in A403 for austenitic steels and A815 for duplex steels). Elbows, returns and tees are not machined directly from bar.

HEAT TREATMENT: Refer to heat treatment table. Heat treatment of forgings may be performed before machining. For martensitic and ferritic grades, liquid quench followed by tempering is permitted, subject to purchaser agreement. Small cylindrical parts (excluding flanges) machined directly from forged or rolled austenitic steel may be furnished annealed to this specification with subsequent light cold drawing or straightening permitted.

MARKING: Each forging is marked with manufacturers name, heat number (or heat identification), designation of service rating, specification number, grade (e.g. F304) and size.

Additionally: **QT** = Liquid quenched and tempered

W = Welded

WNS = Not post repair weld heat treated.

FINISH AND REPAIR

APPEARANCE: Forgings have a workmanlike finish and shall be free of scale, machining burns and injurious imperfections (i.e. those that encroach on minimum wall thickness).

DEFECT REPAIR BY GRINDING OR MACHINING. The following may be removed:

- Surface discontinuity as above.
- Mechanical marks, abrasions or pits deeper than $\frac{5}{16}$ in (1.6mm).

DEFECT REPAIR BY WELDING:

- Permitted unless purchaser prohibits.
- Defect removal by chipping or grinding is verified by magnetic particle inspection.
- Repair is limited to 10% of surface area and 33.3% of nominal wall thickness.
- Repair welding electrodes and post weld repair heat treatments are defined in A182 but are not detailed in this summary.

TENSILE AND HARDNESS REQUIREMENTS

Flanges

SPECIFICATIONS

ASTM A182

A182M

Grade	UNS	Tensile Strength min		Yield Strength ¹ min		Elongation in 2in (50mm) or 4D, min	Reduction of area, min	Brinell Hardness HB
		ksi	MPa	ksi	MPa			
Martensitic Stainless Steels								
F6a Class 1	S41000	70	485	40	275	18	35	143-187
F6a Class 2	S41000	85	585	55	380	18	35	167-229
F6a Class 3	S41000	110	760	85	585	15	35	235-302
F6a Class 4	S41000	130	895	110	760	12	35	263-321
F6b	S41026	110-135	760-930	90	620	16	45	235-285
F6NM	S41500	115	790	90	620	15	45	295 max
Ferritic Stainless Steels								
FXM-27Cb	S44627	60	415	35	240	20	45	190 max
F429	S42900	60	415	35	240	20	45	190 max
F430	S43000	60	415	35	240	20	45	190 max
Austenitic Stainless Steels								
All	All	752	5152	30	205	30	50	-
F304L	S30403	703	4853	25	170	30	50	-
F304N	S30451	80	550	35	240	304	505	-
F316L	S31603	70	485	25	170	30	50	-
F316N	S31651	80	550	35	240	304	505	-
F317L	S31703	70	485	25	170	30	50	-
FXM-11	S21904	90	620	50	345	45	60	-
FXM-19	S20910	100	690	55	380	35	55	-
F10	S33100	80	550	30	205	30	50	-
F44	S31254	94	650	44	300	35	50	-
F45	S30815	87	600	45	310	40	50	-
F46	S30600	78	540	35	240	40	50	-
F47	S31725	75	525	30	205	40	50	-
F48	S31726	80	550	35	240	40	50	-
F49	S34565	115	795	60	415	35	40	-
F56	S33228	73	500	27	185	30	35	-
Duplex Stainless Steels								
F50	S31200	100-130	690-895	65	450	25	50	-
F51	S31803	90	620	65	450	25	45	-
F52	S32950	100	690	70	485	15	-	-
F53	S32750	1166	8006	806	5506	15	-	310 max
F54	S32740	116	800	80	550	15	30	310 max
F55	S32760	109-130	750-895	80	550	25	45	-
F57	S39277	118	820	85	585	25	50	-

NOTES

- Determined by the 0.2% offset method. For ferritic steels only, the 0.5% extension-under-load method may also be used.
 - For sections over 5in. [130mm] in thickness, the minimum tensile strength shall be 70ksi [485MPa].
 - For sections over 5in. [130mm] in thickness, the minimum tensile strength shall be 65ksi [450MPa].
 - Longitudinal. The transverse elongation shall be 25% in 2in. or 50mm, min.
 - Longitudinal. The transverse reduction of area shall be 45% min.
 - For sections over 2in. [50mm] in thickness, the minimum tensile strength shall be 109ksi [750MPa]; the minimum yield strength shall be 75ksi [515MPa].
- All = All austenitic grades as listed in the chemical composition table except as identified in this table.

Flanges

SPECIFICATIONS ASME/ANSI B16.5

American national standards ASME/ANSI B16.5 and B16.47 together cover pipe flanges up to NPS 60 (NPS 48 is the largest detailed in this summary). ASME/ANSI B16.47 covers two series of flanges, Series A which is equivalent to MSS SP-44 (the 1996 Edition of MSS SP-44 complies with B16.47 tolerances), and Series B which is equivalent to API 605 (API 605 is now cancelled).

DIMENSIONS AND TOLERANCES

TOLERANCES ON FLANGE DIMENSIONS (ASME/ANSI B16.5)

Dimension	Range	Tolerance	
		in	mm
General and Blind Flanges (For blind flange dimensions see pages 48-49)			
G (raised face diameter)	≤ NPS 24	±0.03	±0.76
	≥ NPS 26, with 0.06in raised face	±0.08	±2.03
	≥ NPS 26, with 0.25in raised face	±0.04	±1.02
I (bolt hole diameter)	All	No tolerance in B16.5 or B16.47	
J (bolt circle diameter)	All	±0.06	±1.52
Centre to centre of adjacent bolt holes	All	±0.03	±0.76
Eccentricity of bolt circle and machined facing diameters	≤ NPS 2½	±0.03	±0.76
	≥ NPS 3	±0.06	±1.52
Weld Neck Flanges¹ (For dimensions see pages 44-45)			
D (overall length)	≤ NPS 4	+0.06	+1.52
	NPS 5 to 10	+0.06, -0.12	+1.52, -3.05
	NPS 12 to 24	+0.12, -0.18	+3.05, -4.57
	≥ NPS 26	±0.19	±4.83
Thickness of hub	All	> 87.5% of pipe nominal wall thickness	
Slip On (see page 46-47), Lap Joint and Socket Welding Flanges			
B (inside diameter, or bore)	≤ NPS 10	+0.03, -0.0	+0.76, -0.0
	≥ NPS 12	+0.06, -0.0	+1.52, -0.0
Threaded Flanges			
B (counterbore) (Not applicable for Class 150lb)	≤ NPS 10	+0.03, -0.0	+0.76, -0.0
	≥ NPS 12	+0.06, -0.0	+1.52, -0.0

BS4504 is now obsolete and has been replaced by EN 1092. However the dimensions and tolerances have not changed.

Flanges

RANGE/SIZES

EN 1092/(BS4504)

FLANGE TYPES AND METHODS OF MANUFACTURE

ISO EN	BS	Type of Flange and Collar	Forged ^a	Cast	Made from flat products (plates)	Machined from rolled or forged bars and forged sectional steel	Bent and electric welded from bars, sectional steel or strip <small>b,c,d,e</small>
01	101	Plate flange for welding	yes	no	yes	yes	yes
05	105	Blind flange	yes	no	yes	yes	no
11	111	Weld-neck flange	yes	no	no	yes	yes, for \geq DN 700
12	112	Hubbed slip-on flange for welding	yes	no	no	yes	no

a Seamless rolled, pressed, forged.

b Only one radial weld is allowed under DN 1800.

c Welded flanges allowed only for an application up to 370°C in conformance with EN 13480-3:2002, D.4.4.

d In case flanges are made by cold forming of a base material e.g. flat product, some mechanical properties, like elongation after fracture (A) and impact energy (KV), will be impaired due to cold forming without subsequent heat treatment.

REPAIRS BY WELDING

With the exception of weld repairs carried out according to BSEN 1092-1:2007 (E) clause 5.11, repairs by welding are permitted only by written agreement of the purchaser.

Within the certificate for material or component relevant documents shall be noted, that approved welding procedure and welders qualification have been applied.

BOLTING

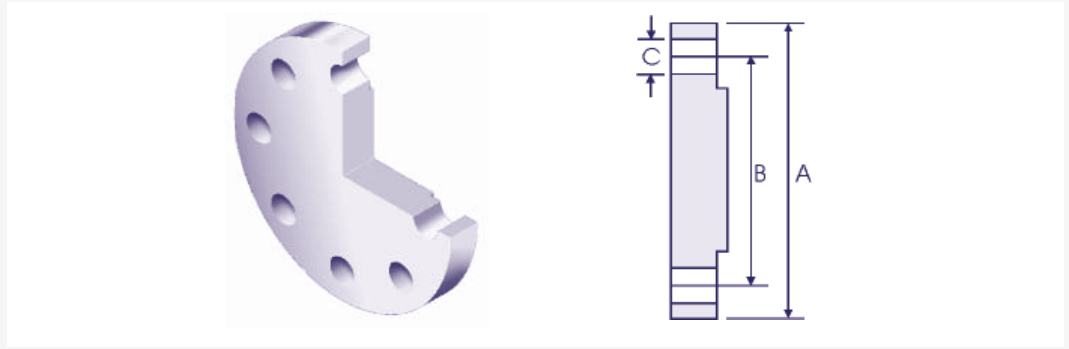
Flanges shall be suitable for use with the number and size of bolting as specified in the Tables on pages 54-58. The bolting shall be chosen by the equipment manufacturer according to the pressure, temperature, flange material and gasket so that the flanged joint remains tight under the expected operating conditions. For selection of bolting, see EN 1515-1, for combination of the materials of flanges and bolting see EN 1515-2, for information.

GASKETS

The various gasket types, dimensions, design characteristics and materials used are not within the scope of this European Standard, Dimensions of gaskets are given in the series of standards EN 1514.

Flanges

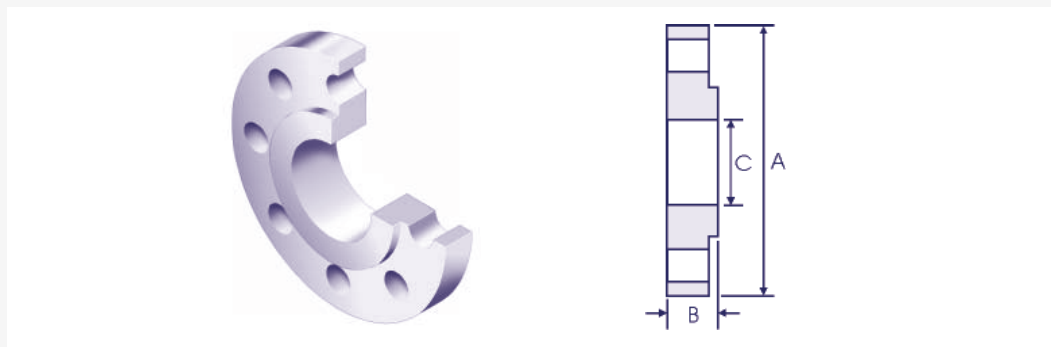
RANGE/SIZES
EN 1092/(BS4504)



FLANGE DRILLING DETAILS

DN	PN	A	B	C	Bolt holes	
		mm	mm	mm	No.	Size
10	10 & 16	90	60	14	4	M12
15	10 & 16	95	65	14	4	M12
20	10 & 16	105	75	14	4	M12
25	10 & 16	115	85	14	4	M12
32	10 & 16	140	100	18	4	M16
40	10 & 16	150	110	18	4	M16
50	10 & 16	165	125	18	4	M16
65	10 & 16	185	145	18	4/8	M16
80	10 & 16	200	160	18	8	M16
100	10 & 16	220	180	18	8	M16
125	10 & 16	250	210	18	8	M16
150	10 & 16	285	240	22	8	M20
200	10	340	295	22	8	M20
	16	340	295	22	12	M20
250	10	395	350	22	12	M20
	16	405	355	26	12	M24
300	10	445	400	22	12	M20
	16	460	410	26	12	M24
350	10	505	460	22	16	M20
	16	520	470	26	16	M24
400	10	565	515	26	16	M24
	16	580	525	30	16	M27
450	10	615	565	26	20	M24
	16	640	585	30	20	M27

DN	PN	A	B	C	Bolt holes	
		mm	mm	mm	No.	Size
500	10	670	620	26	20	M24
	16	715	650	33	20	M30
600	10	780	725	30	20	M27
	16	840	770	36	20	M33
700	10	895	840	30	24	M27
	16	910	840	36	24	M33
800	10	1015	950	33	24	M30
	16	1025	950	39	24	M36
900	10	1115	1050	33	28	M30
	16	1125	1050	39	28	M36
1000	10	1230	1160	36	28	M33
	16	1255	1170	42	28	M39
1200	10	1455	1380	39	32	M36
	16	1485	1390	48	32	M45
1400	10	1675	1590	42	36	M39
	16	1685	1590	48	36	M45
1600	10	1915	1820	48	40	M45
	16	1930	1820	56	40	M52
1800	10	2115	2020	48	44	M45
	16	2130	2020	56	44	M52
2000	10	2325	2230	48	48	M45
	16	2345	2230	62	48	M56



Flanges

RANGE/SIZES

PLATE FLANGES

CODE 01 (101)

EN 1092/(BS4504)

DN	PN	A	B	C
		mm	mm	mm
10	10 & 16	90	14	18.0
15	10 & 16	95	14	22.0
20	10 & 16	105	16	27.5
25	10 & 16	115	16	34.5
32	10 & 16	140	18	43.5
40	10 & 16	150	18	49.5
50	10 & 16	165	20	61.5
65	10 & 16	185	20	77.5
80	10 & 16	200	20	90.5
100	10 & 16	220	22	116.0
125	10 & 16	250	22	141.5
150	10 & 16	285	24	170.5
200	10 & 16	340	24	221.5
250	10	395	26	276.5
	16	405	29	

DN	PN	A	B	C
		mm	mm	mm
300	10	445	26	327.5
	16	460	32	
350	10	505	28	359.5
	16	520	35	359.0
400	10	565	32	411.0
	16	580	38	
450	10	615	36	462.0
	16	640	42	
500	10	670	38	513.5
	16	715	46	
600	10	780	42	616.5
	16	840	52	

NOTES:

- Dimension B is the flange thickness with or without a raised face.
- For drilling details see page 54.
- For tolerances see page 59.
- For facing types and dimensions see pages 60-61.

Flanges

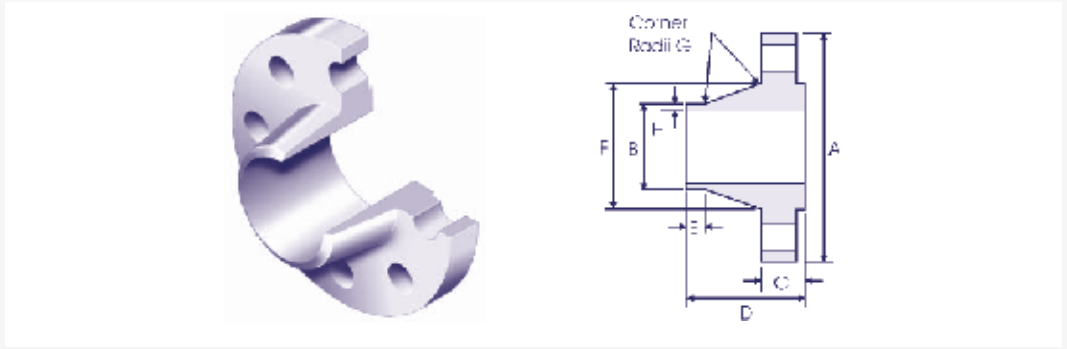
RANGE/SIZES

WELD NECK

FLANGES

CODE 11 (111)

EN 1092/(BS4504)



DN	PN	A B C D E F G H							
		mm	mm	mm	mm	mm	mm	mm	mm
10	10	90	17.2	14	35	6	28	3	1.8
	16	90		14	35		28		1.8
15	10	95	21.3	14	35	6	32	3	2
	16	95		14	35		32		2
20	10	105	26.9	16	38	6	39	4	2.3
	16	105		16	38		39		2.3
25	10	115	33.7	16	38	6	46	4	2.6
	16	115		16	38		46		2.6
32	10	140	42.4	16	40	6	56	5	2.6
	16	140		16	40		56		2.6
40	10	150	48.3	16	42	7	64	5	2.6
	16	150		16	42		64		2.6
50	10	165	60.3	18	45	8	74	5	2.9
	16	165		18	45		74		2.9
65	10	185	76.1	18	45	10	92	6	2.9
	16	185		18	45		92		2.9
80	10	200	88.9	20	50	10	110	6	3.2
	16	200		20	50		110		3.2
100	10	220	114.3	20	52	12	130	6	3.6
	16	220		20	52		130		3.6
125	10	250	139.7	22	55	12	158	6	4
	16	250		22	55		158		4
150	10	285	168.3	22	55	12	184	8	4.5
	16	285		22	55		184		4.5
200	10	340	219.1	24	62	16	234	8	5.6
	16	340		24	62		234		5.6
250	10	395	273	26	68	16	288	10	6.3
	16	405		26	70		288		6.3
300	10	445	323.9	26	68	16	342	10	7.1
	16	460		28	78		342		7.1

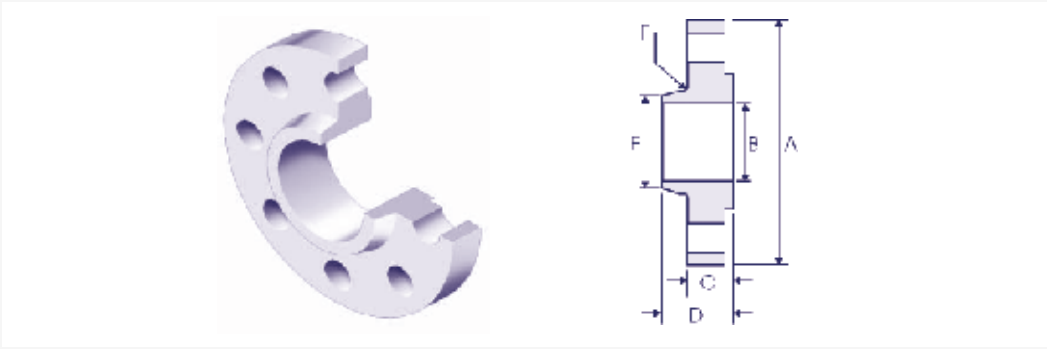
DN	PN	A B C D E F G H							
		mm	mm	mm	mm	mm	mm	mm	mm
350	10	505	355.6	26	68	16	390	10	7.1
	16	520		30	82		390		8
400	10	565	406.4	26	72	16	440	10	7.1
	16	580		32	85		444		8
450	10	615	457	28	72	16	488	12	7.1
	16	640		34	87		490		8
500	10	670	508	28	75	16	540	12	7.1
	16	715		34	90		546		8
600	10	780	610	28	80	18	640	12	7.1
	16	840		36	95		650		8.8
700	10	895	711	30	80	18	746	12	8
	16	910		36	100		750		8.8
800	10	1015	813	32	90	18	848	12	8
	16	1025		38	105		848		10
900	10	1115	914	34	95	20	948	12	10
	16	1125		40	110		948		10
1000	10	1230	1016	34	95	20	1050	12	10
	16	1255		42	120		1056		10
1200	10	1455	1220	38	115	25	1256	12	11
	16	1485		48	130		1260		12.5
1400	10	1675	1420	42	120	25	1460	12	12
	16	1685		52	145		1465		14.2
1600	10	1915	1620	46	130	25	1666	12	14
	16	1930		58	160		1668		16
1800	10	2115	1820	50	140	30	1866	15	15
	16	2130		62	170		1870		17.5
2000	10	2325	2020	54	150	30	2070	15	16
	16	2345		66	190		2072		20

NOTES:

- For drilling details see page 54.
- For tolerances see page 59.
- For facing types and dimensions see pages 40-41.

Flanges

RANGE/SIZES
 SLIP ON FLANGES
 CODE 12 (112)
 EN 1092/(BS4504)



DN	PN	A	B	C	D	E	F
		mm	mm	mm	mm	mm	mm
10	10 & 16	90	18.0	14	20	30	3
15	10 & 16	95	22	14	20	35	3
20	10 & 16	105	27.5	16	24	45	4
25	10 & 16	115	34.5	16	24	52	4
32	10 & 16	140	43.5	16	26	60	5
40	10 & 16	150	49.5	16	26	70	5
50	10 & 16	165	61.5	18	28	84	5
65	10 & 16	185	77.5	18	32	104	6
80	10 & 16	200	90.5	20	34	118	6
100	10 & 16	220	116.0	20	40	140	6
125	10 & 16	250	141.5	22	44	168	6
150	10 & 16	285	170.5	22	44	195	8
200	10 & 16	340	221.5	24	44	246	8
250	10	395	276.5	26	46	298	10
	16	405		26	46	298	

DN	PN	A	B	C	D	E	F
		mm	mm	mm	mm	mm	mm
300	10	445	327.5	26	46	350	10
	16	460		28	46	350	
350	10	505	359.5	26	53	400	10
	16	520	359.0	30	57	400	
400	10	565	411.0	26	57	456	10
	16	580		32	63	456	
450	10	615	462.0	28	63	502	12
	16	640		34	68	502	
500	10	670	513.5	28	67	559	12
	16	715		34	73	559	
600	10	780	616.5	28	75	658	12
	16	840		36	83	658	

NOTES:

- The hubs of slip on (Code 12) flanges are parallel or have a draft <7 degrees.
- For drilling details see page 54.
- For tolerances see page 59.
- For facing types and dimensions see pages 60-61.

Flanges

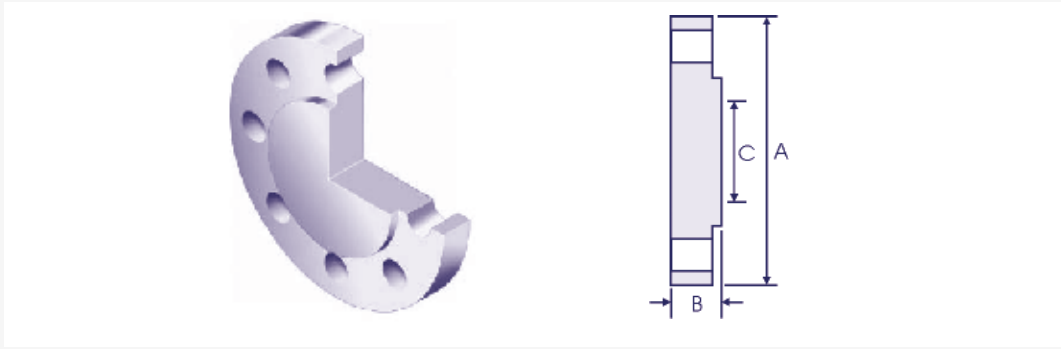
RANGE/SIZES

BLANK/BLIND

FLANGES

CODE 05 (105)

EN 1092/(BS4504)



DN	PN	A	B	C
		mm	mm	mm
10	10 & 16	90	14	-
15	10 & 16	95	14	-
20	10 & 16	105	16	-
25	10 & 16	115	16	-
32	10 & 16	140	16	-
40	10 & 16	150	16	-
50	10 & 16	165	18	-
65	10 & 16	185	18	55
80	10 & 16	200	20	70
100	10 & 16	220	20	90
125	10 & 16	250	22	115
150	10 & 16	285	22	140
200	10 & 16	340	24	190
250	10	395	26	235
	16	405	26	235
300	10	445	26	285
	16	460	28	285
350	10	505	26	325
	16	520	30	325

DN	PN	A	B	C
		mm	mm	mm
400	10	565	26	375
	16	580	32	375
450	10	615	28	425
	16	640	34	425
500	10	670	28	475
	16	715	36	475
600	10	780	34	575
	16	840	44	575
700	10	895	38	670
	16	910	48	670
800	10	1015	42	770
	16	1025	52	770
900	10	1115	46	860
	16	1125	58	860
1000	10	1230	52	960
	16	1255	64	960
1200	10	1455	60	1160
	16	1485	76	1160

NOTES:

- Dimension B is the range thickness with or without a raised face.
- Dimension C is the maximum diameter of the centre portion of a blank flange face which need not be machined.
- For drilling details see page 54.
- For tolerances see page 59.
- For facing types and dimensions see pages 60-61.

DIMENSIONS AND TOLERANCES

Flanges

SPECIFICATIONS
EN 1092 (BS4504)






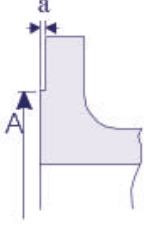
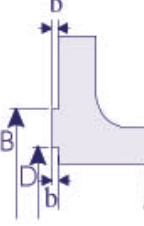
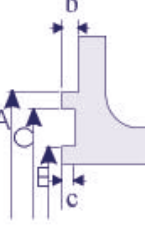




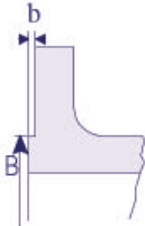
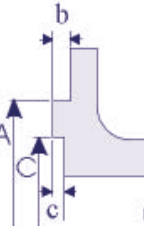

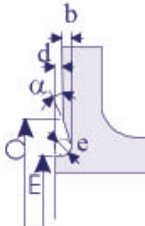
Dimension	Range	Tolerance	
		mm	
Flange Facings (see pages 60-61)	Eccentricity of machined facing diameters	≤ DN 100	1.0
		> DN 100	2.0
	a (type B facing height)	2mm	+0, -1.0
		3mm	+0, -2.0
		4mm	+0, -3.0
		5mm	+0, -4.0
		6mm	+0, -5.0
	b (type C and E facing height)	All	+0.5, -0
	b (type G facing height)	All	+0, -0.5
	b (type H facing height, outer)	All	+0.2, -0
	c (type D and F facing height)	All	+0, -0.5
	d (type H facing height, inner)	All	+0.5, -0
B and E (facing diameters)	All	+0, -0.5	
C and D (facing diameters)	All	+0.5, -0	
Surface Finish	Facing types A, B, E and F	All, turning	Ra = 3.2 µm min, 12.5 µm max
		All, other than turning	Ra = 3.2 µm min, 6.3 µm max
	Facing types C, D, G and H	All	Ra = 0.8 µm min, 3.2 µm max
Flange Drilling Details (see page 54)	B (diameter of bolt circle)	Bolt sizes M10 to M24	±0.9
		Bolt sizes M27 to M45	±1.4
	Centre to centre of adjacent bolt holes	Bolt sizes M10 to M24	±0.45
		Bolt sizes M27 to M45	±0.7
All	A (outside diameter)	≤ DN 150	±2.0
		> DN 150 ≤ DN 500	±3.0
		> DN 500 ≤ DN 1200	±5.0
		> DN 1200 ≤ DN 1800	±7.0
		> DN 1800	±10.0
	C (flange thickness, machined on both faces)	≤ 18mm thickness	±1.0
		> 18mm ≤ 50mm thickness	±1.0
		> 50mm thickness	±1.0
C (flange thickness, machined on front face)	≤ 18mm thickness	+2.0, -1.0	
	> 18mm ≤ 50mm thickness	+4.0, -1.5	
	> 50mm thickness	+7.0, -2.0	
Weld Neck Flanges, Code 11 (see page 56)	B (outside diameter of hub at welding end)	≤ DN 125	+3.0, -0
		> DN 125 ≤ DN 1200	+4.5, -0
		> DN 1200	+6.0, -0
	F (hub diameter)	≤ DN 50	+0, -2.0
		> DN 50 ≤ DN 150	+0, -4.0
		> DN 150 ≤ DN 300	+0, -6.0
		> DN 300 ≤ DN 600	+0, -8.0
		> DN 600 ≤ DN 1200	+0, -10.0
	D (length through hub)	≤ DN 80	±1.5
		> DN 80 ≤ DN 250	±2.0
> DN 250		±3.0	
Slip On, Code 12 (see page 57) and Threaded, Code 13 Flanges	E (slip on flange hub diameter) B (threaded flange hub diameter)	≤ DN 50	+1.0, -0
		> DN 50 ≤ DN 150	+2.0, -0
		> DN 150 ≤ DN 300	+4.0, -0
		> DN 300 ≤ DN 600	+8.0, -0
		> DN 600 ≤ DN 1200	+12.0, -0
		> DN 1200 ≤ DN 1800	+16.0, -0
		> DN 1800	+20.0, -0
	B (slip on bore diameter)	< DN 100	+0.5, -0
		> DN 100 ≤ DN 400	+1.0, -0
		> DN 400 ≤ DN 600	+1.5, -0
		> DN 600	+3.0, -0
	D (length through hub)	Same as Weld Neck D	
	Blank Flanges, Code 05 (see page 58)	B (flange thickness)	Same as C for all other flanges
C (unmachined centre portion)		Maximum specified	

Flanges

SPECIFICATIONS EN 1092 (BS4504)

FLANGE FACINGS

EN 1092 (BS4504) flange facing types A to H are defined below. The dimensions vary with pipe size (DN) and pressure rating (PN) as detailed in the table on page 61.

 <p>Type A Flat Face</p>	 <p>Type B Raised Face</p>	 <p>Type C Tongue Face</p>	 <p>Type D Groove Face</p>
			
 <p>Type E Spigot</p>	 <p>Type F Recess</p>	 <p>Type G 'O' Ring Recess</p>	 <p>Type H 'O' Ring Groove</p>
			

FLANGE FACING DIMENSIONS

Flanges

SPECIFICATIONS
EN 1092 (BS4504)

DN	PN 10		PN 16		Face Dimensions							
	A	B	C	D	E	a	b	c	d	∂	e	
	mm	mm	mm	mm	mm	mm	mm	mm	mm	mm	mm	
10	40	40	34	35	24	23	2	4	3	2	-	5
15	45	45	39	40	29	28	2	4	3	2	-	5
20	58	58	50	51	36	35	2	4	3	2	41°16'	5
25	68	68	57	58	43	42	2	4	3	2	41°16'	5
32	78	78	65	66	51	50	2	4	3	2	41°16'	5
40	88	88	75	76	61	60	3	4	3	2	41°16'	5
50	102	102	87	88	73	72	3	4	3	2	41°16'	5
65	122	122	109	110	95	94	3	4	3	2	41°16'	5
80	138	138	120	121	106	105	3	4	3	2	41°16'	5
100	158	158	149	150	129	128	3	4.5	3.5	2.5	32°15'	6
125	188	188	175	176	155	154	3	4.5	3.5	2.5	32°15'	6
150	212	212	203	204	183	182	3	4.5	3.5	2.5	32°15'	6
200	268	268	259	260	239	238	3	4.5	3.5	2.5	32°15'	6
250	320	320	312	313	292	291	3	4.5	3.5	2.5	32°15'	6
300	370	378	363	364	343	342	4	4.5	3.5	2.5	32°15'	6
350	430	438	421	422	395	394	4	5	4	3	27°24'	7
400	482	490	473	474	447	446	4	5	4	3	27°24'	7
450	532	550	523	524	497	496	4	5	4	3	27°24'	7
500	585	610	575	576	549	548	4	5	4	3	27°24'	7
600	685	725	675	676	649	648	5	5	4	3	27°24'	7
700	800	795	777	778	751	750	5	5	4	3	27°24'	7
800	905	900	882	883	856	855	5	5	4	3	27°24'	7
900	1005	1000	987	988	961	960	5	5	4	3	27°24'	7
1000	1110	1115	1092	1094	1062	1060	5	6	5	4	28°39'	8
1200	1330	1330	1292	1294	1262	1260	5	6	5	4	28°39'	8
1400	1535	1530	1492	1494	1462	1460	5	6	5	4	28°39'	8
1600	1760	1750	1692	1694	1662	1660	5	6	5	4	28°39'	8
1800	1960	1950	1982	1894	1862	1860	5	6	5	4	28°39'	8
2000	2170	2150	2092	2094	2062	2060	5	6	5	4	28°39'	8

Flanges

RANGE/SIZES
SPECIFICATIONS
EN 1092 (BS4504)

MASSES OF FLANGES PN 16

DN	Type 01	Type 05	Type 11	Type 12
	kg	kg	kg	kg
10	0.604	0.722	0.678	0.646
15	0.670	0.813	0.768	0.722
20	0.936	1.14	1.09	1.04
25	1.11	1.38	1.30	1.25
32	1.82	2.03	1.91	1.81
40	2.08	2.35	2.15	2.06
50	2.73	2.88	2.53	2.39
65	3.161	3.511	3.031	2.971
80	3.60	4.61	3.92	3.78
100	4.39	5.65	4.62	4.38
125	5.41	8.13	6.30	6.07
150	7.14	10.5	7.81	7.24
200	9.73	16.2	11.5	9.80
250	14.2	25.0	16.7	13.6
300	19.0	35.1	22.1	17.2
350	28.2	48.0	32.8	27.9
400	35.9	63.5	41.1	35.7
450	46.1	96.6	50.6	45.0
500	64.0	133	66.2	60.4
600	102	226	96.5	94.0
700	-	285	104	-
800	-	388	122	-
900	-	483	155	-
1000	-	640	233	-
1200	-	-	390	-
1400	-	-	495	-
1600	-	-	760	-
1800	-	-	929	-
2000	-	-	1185	-

British Standard BS 10 : 1962 - Specification for Flanges and Bolting for Pipes, Valves, and Fittings. This covers plain, boss, integrally cast or forged, and welding neck type flanges, in ten tables. Although BS 10 is obsolescent, it remains in use for the dimensions of light duty, economy stainless steel flanges in applications where corrosion resistance and/or hygiene, rather than high pressures and temperatures, are the primary considerations. The following tables detail the applicable standard dimensions from Tables D, E, F and H of BS 10.

Flanges

RANGE/SIZES SPECIFICATIONS BS10 PLATE FLANGES

FLANGE DIMENSIONS BASED ON TABLES D AND E OF BS 10 : 1962

Common Flange Size Designation (Nominal Bore of Pipe)	BS 10 Table D Dimensions					BS 10 Table E Dimensions				
	Overall Diameter of Flange	Flange Thickness	Bolt Circle Diameter	Number of Bolts	Diameter of Bolts	Overall Diameter of Flange	Flange Thickness	Bolt Circle Diameter	Number of Bolts	Diameter of Bolts
in	in	in	in		in	in	in	in		in
1/2	3 3/4	3/16	2 5/8	4	1/2	3 3/4	1/4	2 5/8	4	1/2
3/4	4	3/16	2 7/8	4	1/2	4	1/4	2 7/8	4	1/2
1	4 1/2	3/16	3 1/4	4	1/2	4 1/2	7/32	3 1/4	4	1/2
1 1/4	4 3/4	1/4	3 7/16	4	1/2	4 3/4	5/16	3 7/16	4	1/2
1 1/2	5 1/4	1/4	3 7/8	4	1/2	5 1/4	11/32	3 7/8	4	1/2
2	6	5/16	4 1/2	4	5/8	6	3/8	4 1/2	4	5/8
2 1/2	6 1/2	5/16	5	4	5/8	6 1/2	13/32	5	4	5/8
3	7 1/4	3/8	5 3/4	4	5/8	7 1/4	7/16	5 3/4	4	5/8
3 1/2	8	3/8	6 1/2	4	5/8	8	15/32	6 1/2	8	5/8
4	8 1/2	3/8	7	4	5/8	8 1/2	1/2	7	8	5/8
5	10	1/2	8 1/4	8	5/8	10	9/16	8 1/4	8	5/8
6	11	1/2	9 1/4	8	5/8	11	11/16	9 1/4	8	3/4
7	12	1/2	10 1/4	8	5/8	12	3/4	10 1/4	8	3/4
8	13 1/4	1/2	11 1/2	8	5/8	13 1/4	3/4	11 1/2	8	3/4
9	14 1/2	5/8	12 3/4	8	5/8	14 1/2	13/16	12 3/4	12	3/4
10	16	5/8	14	8	3/4	16	7/8	14	12	3/4
12	18	3/4	16	12	3/4	18	1	16	12	7/8
13	19 1/4	3/4	17 1/4	12	3/4	19 1/4	1	17 1/4	12	7/8
14	20 3/4	7/8	18 1/2	12	7/8	20 3/4	1 1/8	18 1/2	12	7/8
15	21 3/4	7/8	19 1/2	12	7/8	21 3/4	1 1/4	19 1/2	12	7/8
16	22 3/4	7/8	20 1/2	12	7/8	22 3/4	1 1/4	20 1/2	12	7/8
17	24	1	21 3/4	12	7/8	24	1 3/8	21 3/4	12	7/8
18	25 1/4	1	23	12	7/8	25 1/4	1 3/8	23	16	7/8
19	26 1/2	1	24	12	7/8	26 1/2	1 1/2	24	16	7/8
20	27 3/4	1 1/8	25 1/4	16	7/8	27 3/4	1 1/2	25 1/4	16	7/8
21	29	1 1/8	26 1/2	16	7/8	29	1 5/8	26 1/2	16	1
22	30	1 1/8	27 1/2	16	1	30	1 3/4	27 1/2	16	1
23	31	1 1/8	28 1/2	16	1	31	1 3/4	28 1/2	16	1
24	32 1/2	1 1/4	29 3/4	16	1	32 1/2	1 7/8	29 3/4	16	1 1/8

NOTES:

- Bolt hole diameters are as follows:
For 1/2in and 5/8in bolts, the bolt hole shall be 1/16in larger than the bolt diameter.
For 3/4in bolts and larger, the bolt hole shall be not more than 1/8in larger than the bolt diameter.

Hygienics

TUBE

Introduction

Stainless Steel Hygienics is the name given to a range of tube and fittings used in applications requiring a clean and sanitary flow of liquids and where it is essential to avoid contamination of the products being carried. These applications cover the food processing, beverage, biotech and pharmaceutical industries including breweries and dairies.

The applications are low pressure with a maximum of 150lbs.

The products are available in grades 304L and 316L. The size range is from ½in to 4in O/D.

The tube and fittings are of welded construction with the internal bead rolled to flatten it and eliminate crevices, thus preventing interruptions to the flow and eliminating the risk of contamination or bug traps as well as facilitate easy cleaning.

The tube and fittings are offered with a choice of external finishes:

- Descaled
- Bright Annealed
- Dull Polished
- Semi-Bright or Bright Polished

MANUFACTURING STANDARDS

Hygienic tubes are manufactured to ASTM A270, DIN 11850, ISO 2037 and BS 4825 Part 1.

Hygienic fittings are manufactured to BS 4825 Parts 2 to 5.

MARKINGS ON TUBE AND FITTINGS

Tube and fittings with a bright annealed or polished finish will be unmarked.

Range/Sizes - Tube

SIZES TO ASTM A270

O/D		Wall		Weight
in	swg	mm	kg/m	
¾	16	1.63	0.70	
1	16	1.63	0.99	
1½	16	1.63	1.51	
2	16	1.63	1.88	
2½	16	1.63	2.49	
3	16	1.63	3.01	
4	16	1.63	4.03	
4	14	2.03	4.98	

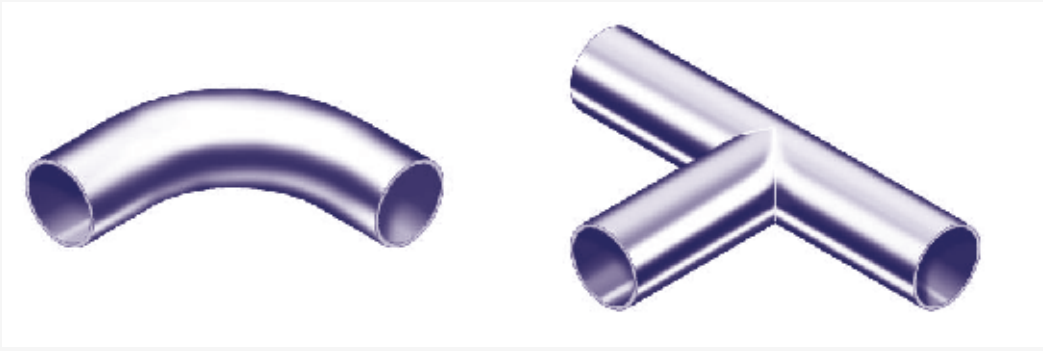
SIZES TO DIN 11850

O/D		Wall		Weight
in	swg	kg/m		
1	1.5	0.90		
1½	1.5	1.38		
2	1.5	1.85		
2½	1.5	2.34		
3	1.5	2.81		
4	2.0	5.02		

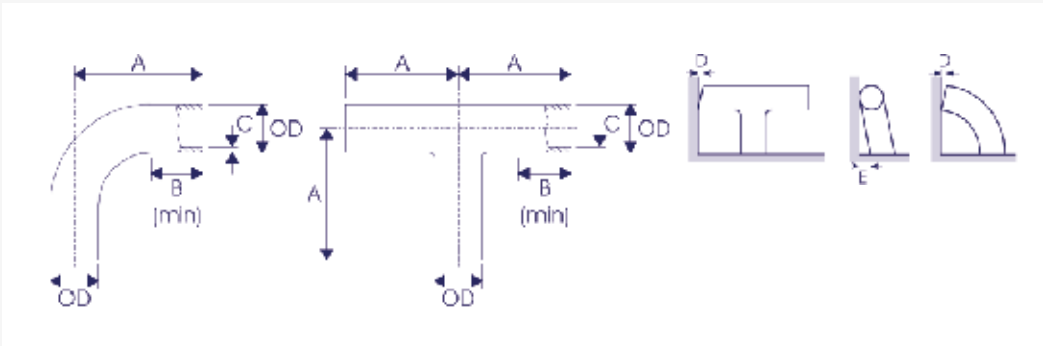
Hygienics

HYGIENIC BENDS AND TEES

BS 4825 : PART 2



There are two types of bends and tees available, the Short type and Long type. For bends, the Short type simply comprises a 90° bend, while the Long type has a straight leg added at both ends. Tees have equivalent dimensions making them interchangeable. The straight leg of long type bends and tees was originally added to enable expanded type clamp and union parts to be fitted, but they are now widely used in all-welded installations.



DIMENSIONS AND TOLERANCES

OD	Short Type			Long Type			Max Deviation	
	A	B	C	A	B	C	D	E
mm	mm	mm	mm	mm	mm	mm	mm	mm
12.7	-	-	-	45	25	1.2	0.1	0.2
15.88	-	-	-	55	25	1.2	0.2	0.4
19.05	-	-	-	60	25	1.2	0.2	0.4
25.4	43.5	25	1.6	65	25	1.6 (or 1.21)	0.25	0.5
38.1	63.5	25	1.6	85	25	1.6 (or 1.21)	0.3	0.6
50.8	88.5	30	1.6	110	30	1.6 (or 1.21)	0.4	0.8
63.5	113.5	35	1.6	135	35	1.6	0.5	1.0
76.2	133.5	38	1.6	155	38	1.6	0.5	1.0
101.6	173.5	38	2.0	195	38	2.0	0.7	1.4

NOTES

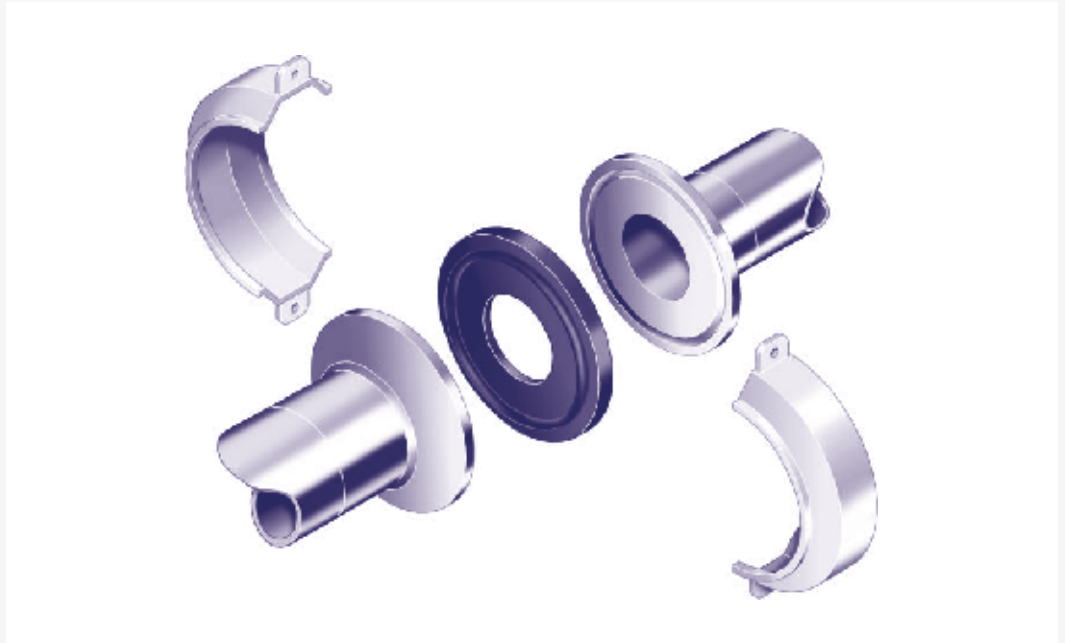
1 The 1.2mm wall thickness is for use with expanded fittings.

LENGTH TOLERANCES: +0.5mm, -0mm.

Hygienics

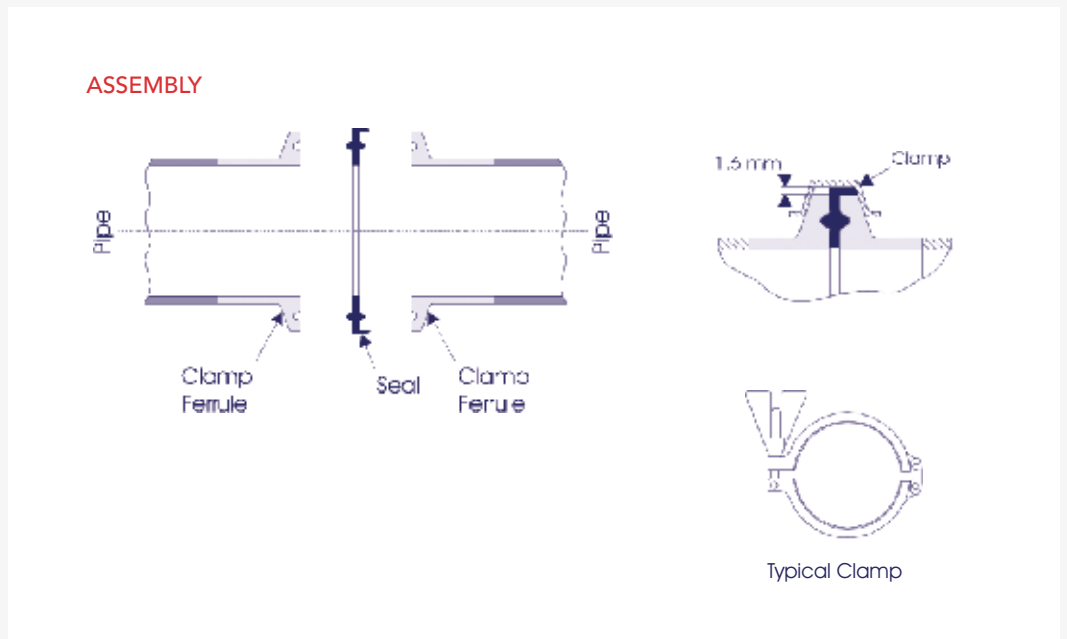
CLAMP FITTINGS

BS 4825 : PART 3



Clamp fittings provide a crevice free joint and, depending on the clamp design, requires no tools for assembly or dismantling for cleaning. Provides quick method of regularly opening up a system and often has some kind of closure device such as a 'Triclover' clamp. Used where corrosion and contamination are particular hazards, as in the pharmaceutical industry. Also used in systems carrying warm semi-solids and viscous liquids, such as chocolate and tomato sauce, which must not cool in the line but tend to cause regular blockages.

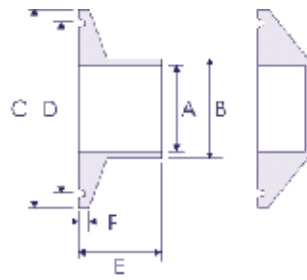
Clamp fittings comprise four parts - two welding ferrules, a seal ring and a clamp. The ends of the tubes and/or fittings to be joined have a welding ferrule fitted by welding (or expansion on to expanded type parts if used). The joint is made by positioning the welding ferrules together, with a seal inserted between the faces, and then clamping the ferrules together. The clamp is not in contact with the contents of the pipe and may be made of any suitable material.



Hygienics

CLAMP FITTINGS BS 4825 : PART 3

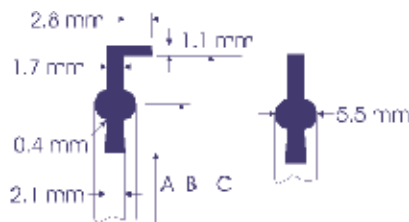
WELDING FERRULE



OD	A	B	C	D	E	F
mm	mm	mm	mm	mm	mm	mm
25.4	22.2	25.65	50.5	43.5	21.5	2.85
38.1	34.9	38.35	50.5	43.5	21.5	2.85
50.8	47.6	51.05	64.0	56.5	21.5	2.85
63.5	60.3	63.75	77.5	70.5	21.5	2.85
76.2	73.0	76.45	91.0	83.5	21.5	2.85
101.6	97.6	101.85	119.0	110.0	21.5	2.85

SEALS

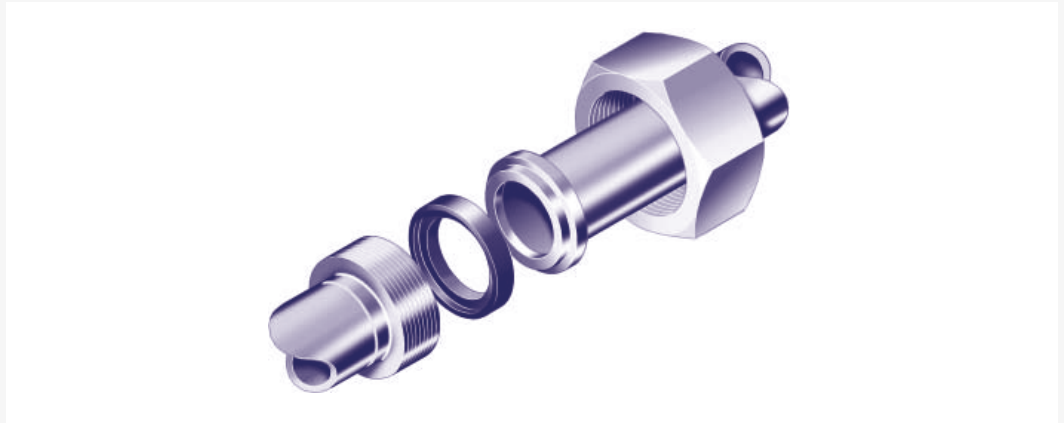
Two types of seal are defined in BS 4825, the first for use when a joint is to be frequently disconnected and the second for use in less frequently disconnected joints. The dimensions of both types are given below:



OD	A	B	C
mm	mm	mm	mm
25.4	22.8	43.5	50.5
38.1	35.5	43.5	50.5
50.8	48.2	56.5	64.0
63.5	60.5	70.5	77.5
76.2	73.2	83.5	91.0
101.6	97.8	110.0	119.0

Hygienics

IDF UNIONS BS 4825 : PART 4



The International Dairy Federation, IDF, coupling provides a crevice free joint originally designed for applications where frequent dismantling for cleaning would not be necessary. They may be operated at pressures up to 1.6 MPa.

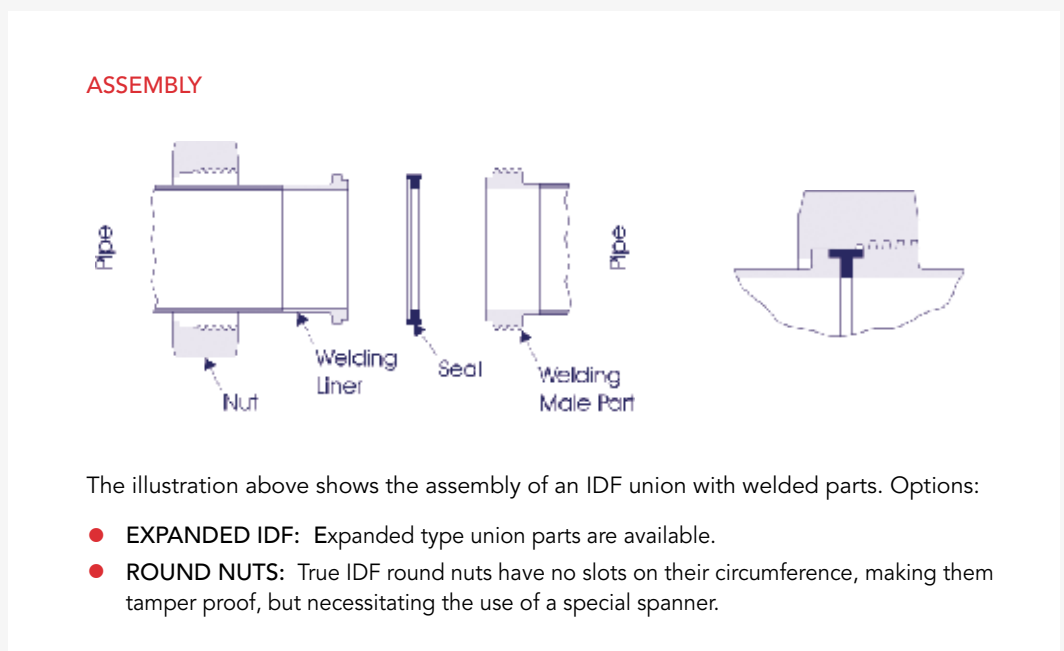
The Liner is machined and the Nitrile or EPDM Seal is a square section and is more substantial than the RJT. The IDF Union also has a thicker Nut than the RJT. It is machined rather than pressed and is considered easier to use.

Compared to the RJT, the IDF has a smoother and cleaner flow line that is free of crevices and bug traps. It is used where CIP (Clean In Place) systems prevail, with the RJT only tending to be used where very regular access is needed.

IDF type couplings comprise four parts – a male part, a liner, a seal ring and a hexagonal or round nut.

The ends of the tubes and/or fittings to be joined have a male part and liner fitted by welding (or expansion on to expanded type parts if used). The joint is made by positioning the male part and the liner together, with a seal inserted between. The nut is then slipped over the liner, screwed on to the male part and tightened against the liner to compress the seal.

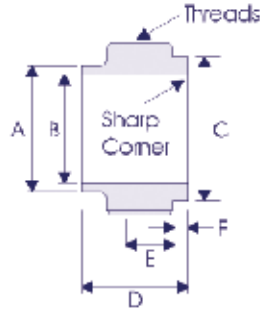
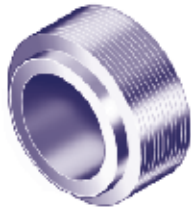
BS 4825 : Part 3 requirements for IDF union parts follow.



Hygienics

IDF UNIONS BS 4825 : PART 4

WELDING MALE PART (THREADED)

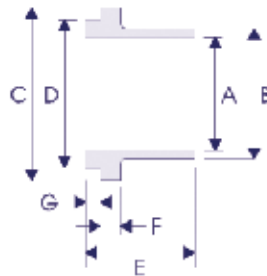


NOTES

- An ACME form thread is used.

OD	A	B	C	D	E	F
mm	mm	mm	mm	mm	mm	mm
25.4	25.65	22.2	29.2	21.5	13.5	3.0
38.1	38.35	34.9	42.7	21.5	13.5	3.0
50.8	51.05	47.6	56.2	21.5	13.5	3.0
63.5	63.75	60.3	69.9	21.5	13.5	3.0
76.2	76.45	73.0	82.6	21.5	13.5	3.0
101.6	101.85	97.6	111.1	30.0	16.0	3.2

WELDING LINER

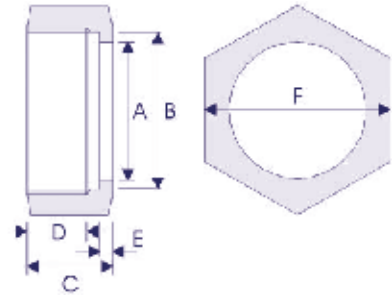
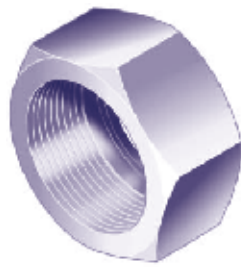


OD	A	B	C	D	E	F	G
mm	mm	mm	mm	mm	mm	mm	mm
25.4	22.2	25.65	33.8	29.2	21.5	4.0	3.0
38.1	34.9	38.35	47.0	42.7	21.5	4.0	3.0
50.8	47.6	51.05	60.5	56.2	21.5	4.0	3.0
63.5	60.3	63.75	74.0	69.9	21.5	4.0	3.0
76.2	73.0	76.45	87.5	82.6	21.5	4.0	3.0
101.6	97.6	101.85	120.6	111.1	30.0	4.75	3.2

Hygienics

IDF UNIONS
BS 4825 : PART 4

HEXAGONAL NUT

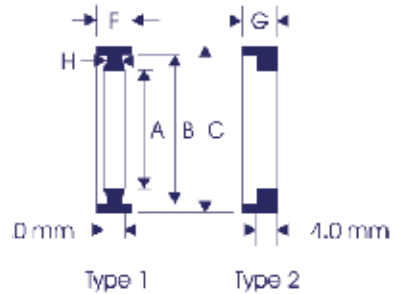


NOTES

- An ACME form thread is used.
- A round nut may be specified.

OD	A	B	C	D	E	F
mm	mm	mm	mm	mm	mm	mm
25.4	30.5	34.34	30	16	3.5	46
38.1	43.5	47.86	30	16	3.5	60
50.8	57.0	61.37	30	16	3.5	75
63.5	70.7	74.88	30	16	3.5	90
76.2	83.3	88.40	30	16	3.5	105
101.6	112.0	122.00	35	20	4.7	133

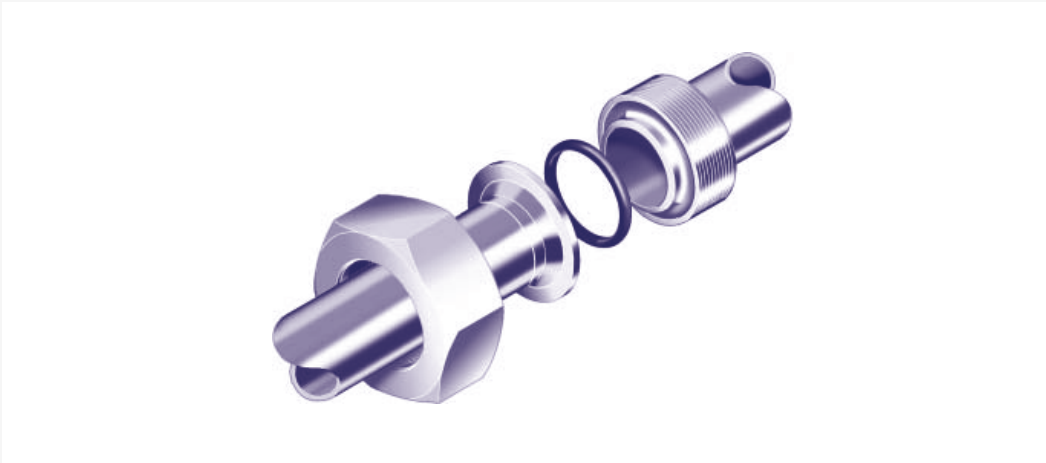
SEALS



OD	A	B	C	F	G	H
mm	mm	mm	mm	mm	mm	mm
25.4	23.2	29.2	32.5	7.0	6.0	3.0
38.1	35.9	42.7	46.0	7.0	6.0	3.0
50.8	48.6	56.2	59.5	7.0	6.0	3.0
63.5	61.3	69.9	73.2	7.0	6.0	3.0
76.2	74.0	82.6	86.5	7.0	6.0	3.0
101.6	98.6	111.0	119.0	9.6	6.0	5.0

Hygienics

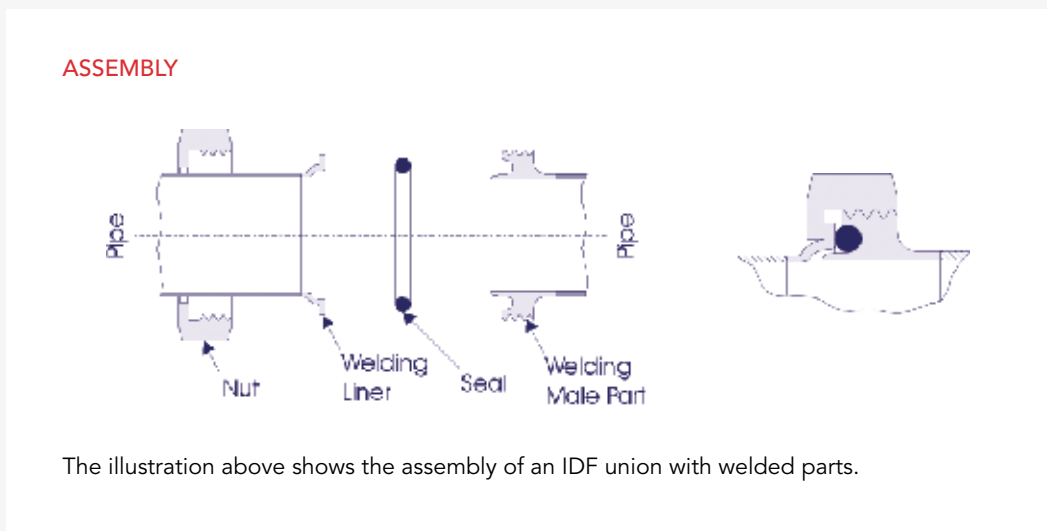
RJT UNIONS BS 4825 : PART 5



Ring Type Joint, RJT, unions are easily assembled and dismantled for cleaning purposes, this being a result of their having a Whitworth form thread. The RJT joint is not crevice free and may accumulate a deposit of the product being passed. However, present day cleaning systems are able to sanitise this area successfully without dismantling in the majority of applications. RJT unions may be operated at pressures up to 1.0 MPa.

RJT type couplings comprise four parts – a male part, a liner, an O-ring seal and a hexagonal nut. The ends of the tubes and/or fittings to be joined have a male part and liner fitted by welding (or expansion on to expanded type parts if used). The joint is made by positioning the male part and the liner together, with a seal inserted between. The nut is then slipped over the liner, screwed on to the male part and tightened against the liner to compress the seal.

BS 4825: Part 5 requirements for RJT union parts follow. Additional RJT components are also available (see page 74).



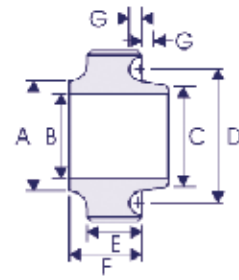
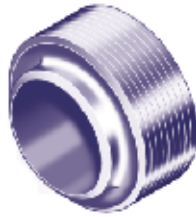
Options:

- **EXPANDED RJT:** Expanded type union parts are available.

Hygienics

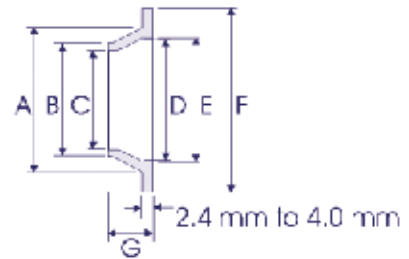
RJT UNIONS
BS 4825 : PART 5

WELDING MALE PART (THREADED)



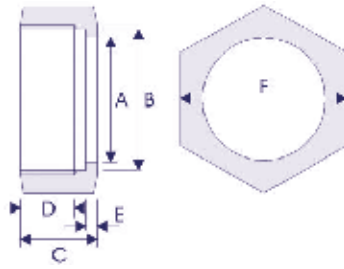
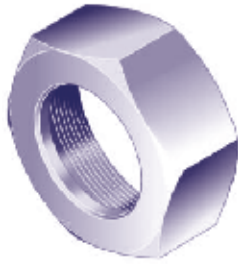
OD	A	B	C	D	E	F	G
mm	mm	mm	mm	mm	mm	mm	mm
25.4	25.65	22.2	25.4	33.3	14.3	21.5	4.8
38.1	38.35	34.9	38.1	46.0	14.3	21.5	4.8
50.8	51.05	47.6	50.8	58.7	14.3	21.5	4.8
63.5	63.75	60.3	63.5	71.4	14.3	21.5	4.8
76.2	76.45	73.0	76.2	84.1	14.3	21.5	4.8
101.6	101.85	97.6	101.6	109.5	14.3	21.5	4.8

WELDING LINER



OD	A	B	C	D	E	F	G
mm	mm	mm	mm	mm	mm	mm	mm
25.4	32.5	25.65	22.2	26.2	27.8	41.3	10 or 12.7
38.1	45.2	38.35	34.9	38.9	40.5	54.0	10 or 12.7
50.8	57.9	51.05	47.6	51.6	53.2	66.7	10 or 12.7
63.5	70.6	63.75	60.3	64.3	65.9	79.4	10 or 12.7
76.2	83.3	76.45	73.0	77.0	78.6	92.1	10 or 12.7
101.6	108.5	101.85	97.6	102.4	104	117.5	12.7 or 25.4

HEXAGONAL NUT



Hygienics

RJT UNIONS
BS 4825 : PART 5

OD	A	B	C	D	E	F
mm	mm	mm	mm	mm	mm	mm
25.4	33.3	46.6	22.2	15.1	4.0	50.8
38.1	46.0	59.3	22.2	15.1	4.0	65.0
50.8	58.7	73.6	22.2	15.1	4.0	79.4
63.5	71.4	86.3	22.2	15.1	4.0	92.1
76.2	84.1	99.0	22.2	15.1	4.0	104.8
101.6	109.5	124.4	22.2	15.1	4.0	130.2

RING JOINT SEALS



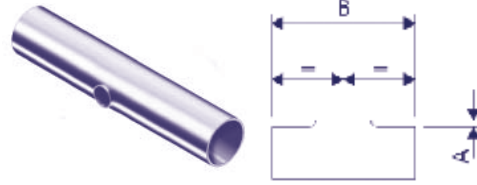
OD	A	B
mm	mm	mm
25.4	33.3	6.6
38.1	46.0	6.6
50.8	58.7	6.6
63.5	71.4	6.6
76.2	84.1	6.6
101.6	109.5	6.6

Hygienics

ADDITIONAL HYGIENIC FITTINGS AND COMPONENTS

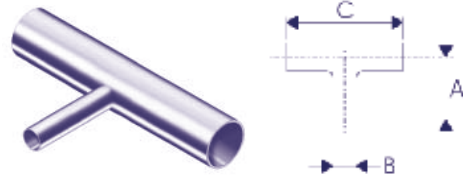
This subsection covers additional fittings and components that are compatible with the BS 4825 tube and fittings specifications.

PULLED TEES



OD	A	B
mm	mm	mm
25.4	2	89
38.1	2	130
50.8	3	178
63.5	3	229
76.2	3	267
101.06	5	348

REDUCING TEES



OD	A	B
mm	mm	mm
25.4	2	89
38.1	2	130
50.8	3	178
63.5	3	229
76.2	3	267
101.06	5	348

CONCENTRIC AND ECCENTRIC REDUCERS



Eccentric Reducer



Concentric Reducer

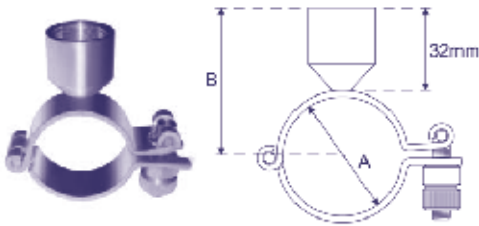
OD	Availability	
	mm	Eccentric
38.1 to 25.4	✓	✓
50.8 to 38.1	✓	✓
50.8 to 25.4	✓	✓
63.5 to 50.8	✓	✓
63.5 to 38.1	✓	✓
63.5 to 25.4	✓	-
76.2 to 63.5	✓	-
76.2 to 50.8	✓	✓
76.2 to 38.1	✓	✓
76.2 to 25.4	✓	✓
101.6 to 76.2	✓	✓
101.6 to 63.5	✓	-

NOTES

- Dimensions are subject to agreement with purchaser

HINGED PIPE CLIP

Two piece hinged pipe clip tightened by an M8 knurled thumb nut and having a BSP threaded boss.



OD	A	B
	mm	mm
1 ½	12.7	40
¾	19.0	40
1	25.4	45
1½	38.1	50
2	50.8	60
2½	63.2	65
3	76.2	70
4	101.6	80

NOTES

- Dimensions are subject to agreement with purchaser

Hygienics

ADDITIONAL HYGIENIC FITTINGS AND COMPONENTS

Hygienics

SPECIFICATIONS

ASTM A270

SEAMLESS AND WELDED AUSTENITIC STAINLESS STEEL SANITARY (HYGIENIC) TUBING

This specification covers seamless and welded austenitic stainless steel hygienic tubing having special surface finishes.

DIMENSIONS AND TOLERANCES

- **DIMENSIONS:** Tube sizes normally furnished to this specification are ≤ 4 in (101.6mm) OD.
- **CUT LENGTHS** shall be no less than specified and not more than $\frac{1}{8}$ in (3.2mm) over that specified.

CROSS-SECTIONAL TOLERANCES

Outside Diameter (OD)		Variations in OD				Variation in t	
		Under		Over		Under	Over
in	mm	in	mm	in	mm	%	%
≤ 1	≤ 25.4	0.005	0.13	0.005	0.13	12.5	12.5
>1 to 2	>25.4 to 50.8	0.008	0.20	0.008	0.20	12.5	12.5
>2 to 3	>50.8 to 76.2	0.010	0.25	0.010	0.25	12.5	12.5
>3 to 4	>76.2 to 101.6	0.015	0.38	0.015	0.38	12.5	12.5

NOTES

- 1 For $t < 0.049$ in (1.24mm) tolerances to be agreed with purchaser
- 2 There are no ovality requirements

CHEMICAL COMPOSITION

Grade	UNS	Composition Percentage, Max or Range								Note
		Carbon C	Manganese Mn	Phosphorus P	Sulphur S	Silicon Si	Nickel Ni	Chromium Cr	Molybdenum Mo	
TP304	S30400	0.08	2.00	0.045	0.030	1.00	8.00-11.00	18.00-20.00	-	
TP304L	S30403	0.035	2.00	0.045	0.030	1.00	8.00-12.00	18.00-20.00	-	1
TP316	S31600	0.08	2.00	0.045	0.030	1.00	10.00-14.00	16.00-18.00	2.00-3.00	
TP316L	S31603	0.035	2.00	0.045	0.030	1.00	10.00-14.00	16.00-18.00	2.00-3.00	1

NOTES

- 1 Carbon 0.040% max is necessary for tubes where many drawing passes are required, as with outside diameter < 0.5 in (12.7mm) or nominal wall thickness < 0.049 in (1.2mm) (minimum wall thickness < 0.044 in (1.12mm))

BS 4825 PART 1 / EN20286 - DIMENSIONS AND TOLERANCES

- **O/D TOLERANCE:** $\pm 0.5\%$ or 0.1mm whichever is the greater.
- **WALL THICKNESS TOLERANCE:** $\pm 12.5\%$.
- **SURFACE FINISH:** Internal 1.0Ra Maximum / External 2.5Ra Maximum.
- **LENGTH:** For lengths up to and including 6m +3mm -0mm / For lengths over 6m +6mm -0mm.

Introduction

STAINLESS STEEL METRIC TUBULARS RANGE

A complete range of fittings including elbows, tees, reducers, end caps, collars, backing flanges and clamps is available.

ADVANTAGES

This ID based system brings many advantages:

- Lightweight
- Systems flexibility including ease of alteration
- Fast welding times
- Low consumables usage
- Attractive appearance
- Clean/hygienic/high-tech image
- Low environmental impact
- Recyclability
- Simple fabrication and erection
- Good mechanical properties
- Good ductility
- Low maintenance
- Long service life
- Smooth surface with no coatings or linings

GRADES

A range of grades are available from stock or on fast-track production:

BSEN 1.4307 (304L)

BSEN 1.4404 (316L)

BSEN 1.4432 (316L High Molybdenum)

Sizes shown throughout are the most popular. Many more are available, please contact your local RB service centre (see back cover for details).

SPECIFICATIONS

DIMENSIONAL TOLERANCES TO EN/ISO 1127

- Outside Diameter (Class D3): $\pm 0.75\%$ / minimum $\pm 0.3\text{mm}$
- Outside Diameter for tubes 168.3mm O/D & above (Class D2): $\pm 1.0\%$ / minimum $\pm 0.5\text{mm}$
- Wall Thickness (Class T3): $\pm 10\%$ / minimum $\pm 0.15\text{mm}$

LENGTHS

- 6 metre random lengths with plain ends

FINISH



IFU Approval

IFU/DWI/Righton1/Issue 1/26th May 2016.

Approved for use in public water supplies

Metric Tube and Fittings

SPECIFICATIONS

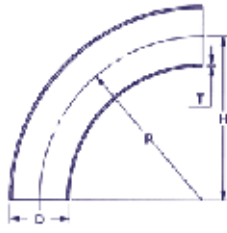
Metric Tube and Fittings

RANGE/SIZES
METRIC TUBE

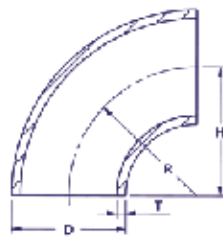
METRIC TUBE SIZES

DN	OD	Weight per metre (kg) for given Wall Thickness in mm					
		1.5mm	2.0mm	2.5mm	3.0mm	4.0mm	5.0mm
15	18	0.620					
15	20	0.695	0.901				
20	23	0.808					
20	25	0.883					
25	28	0.995					
25	30	1.070	1.402				
25	32	1.146					
32	35	1.258					
32	38	1.371	1.803				
32	40		1.903				
40	43	1.559					
40	44.5		2.128				
50	51	1.859	2.454				
50	53	1.934					
50	54		2.604				
65	68	2.498					
65	69		3.355				
65	70		3.405				
75	78	2.870					
80	83	3.061					
80	84		4.107				
100	103	3.812					
100	104		5.108				
100	106				7.737		
100	108					10.417	
125	128	4.751					
125	129		6.360				
150	153	5.690					
150	154		7.612				
150	156				11.493		
150	158					15.425	
200	203	7.568					
200	204		10.116				
200	205			12.677			
200	206				15.249		
200	208					20.433	
250	254		12.620				
250	255			15.807			
250	256				19.005		
300	304		15.214				
300	305			18.937			
300	306				22.761		
300	308					30.449	
350	355			22.067			
350	356				26.517		
400	406				30.273		
400	408					40.465	
450	456				34.029		
500	506				37.785		
500	508					50.481	
600	606				45.297		
600	608					60.497	

WELDED 45° & 90° ELBOWS (RADIUS D+100)



WELDED 45° & 90° ELBOWS (RADIUS 1.5D)



Metric Tube and Fittings

RANGE/SIZES
METRIC ELBOWS

D DN	OD	T Wall	Weight
mm	mm	mm	kg
25	30	2	0.27
40	44.5	2	0.46
50	54	2	0.61
65	69	2	0.90
80	84	2	1.16
100	104	2	1.61
100	106	3	2.43
125	129	2	2.25
125	131	3	3.40
150	154	2	2.99
	156	3	4.51
200	204	2	4.77
	205	2.5	5.97
	206	3	7.19
250	254	2	6.94
	255	2.5	8.69
	256	3	10.45
300	304	2	9.52
	305	2.5	11.90
	306	3	14.30
350	355	2.5	15.62
	356	3	18.74
400	406	3	23.78
450	456	3	29.40
500	506	3	35.61
	508	4	47.57
600	606	3	49.90
	608	4	66.52
700	708	4	88.60
	710	5	101.91

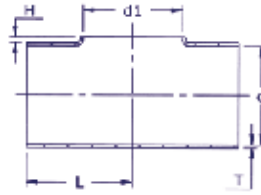
D DN	OD	T Wall	Weight
mm	mm	mm	kg
15	18	1.5	0.030
20	23	1.5	0.050
25	28	1.5	0.060
32	38	2	0.140
40	44.5	2	0.220
50	54	2	0.320
65	69	2	0.450
80	84	2	0.770
	86	3	1.180
100	104	2	1.200
	106	3	1.820
125	129	2	1.880
150	154	2	2.690
	156	3	4.060
200	204	2	4.770
	205	2.5	5.970
	206	3	7.190
250	254	2	7.430
	256	3	11.190
300	304	2	10.710
	306	3	16.090
350	356	3	22.500
400	406	3	29.040
	408	4	38.620
450	456	3	36.760
500	506	3	45.400
	508	4	60.420
	510	5	75.370
600	606	3	65.420
	608	4	87.080

45° & 90° Elbows (Radius 3D) are also available on request

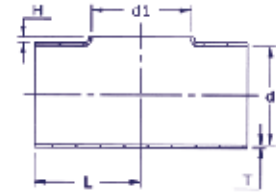
Metric Tube and Fittings

RANGE/SIZES
METRIC TEES

PULLED EQUAL TEES



PULLED EQUAL TEES



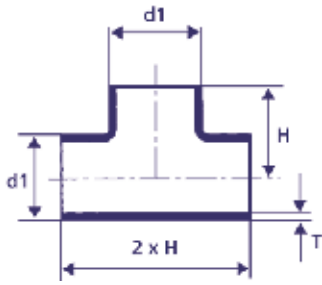
DN	OD	T Wall	L	H	Weight
mm	mm	mm	mm*	mm*	kg
25	28	1.5	28.5	15.5	0.05
32	38	1.5	47.5	20.5	0.13
40	44	2	47.5	24	0.14
50	54	2	57	29	0.22
65	69	2	63.5	38.5	0.37
80	84	2	85.5	45	0.63
100	104	2	105	55	0.95
125	129	2	124	69	1.42
150	154	2	143	84	2.03
200	204	2	178	110	3.80
250	254	2	216	140	5.80
300	306	3	300	168	10.60
350	356	3	350	195	14.40
400	406	3	400	223	22.54

DN1 x DN2	OD1 x OD2	T Wall	L	H	Weight
mm	mm	mm	mm*	mm*	kg
50 x 25	54 x 28	2	57	29	0.20
50 x 40	54 x 44	2	57	29	0.20
65 x 40	69 x 44	2	63.5	38	0.35
65 x 50	69 x 54	2	63.5	38	0.35
80 x 40	84 x 44	2	85.5	45	0.60
80 x 50	84 x 54	2	85.5	45	0.60
80 x 65	84 x 69	2	85.5	45	0.60
100 x 50	104 x 54	2	105	55	0.90
100 x 65	104 x 69	2	105	55	0.90
100 x 80	104 x 84	2	105	55	0.90
125 x 80	129 x 84	2	124	69	1.30
125 x 100	129 x 84	2	124	69	1.30
150 x 80	154 x 84	2	143	84	1.90
150 x 100	154 x 104	2	143	84	1.90
150 x 125	154 x 129	2	143	84	1.90
200 x 100	204 x 104	2	178	110	3.60
200 x 125	204 x 129	2	178	110	3.60
200 x 150	204 x 154	2	178	110	3.60
250 x 150	254 x 154	2	216	140	5.50
250 x 200	254 x 204	2	216	140	5.50
300 x 200	306 x 206	3	300	165	10.30

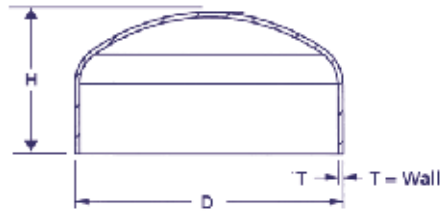
NOTES

* Approximate

EQUAL TEES WITH BRANCH



PRESSED END CAPS



Metric Tube and Fittings

RANGE/SIZES
METRIC TEES
AND END CAPS

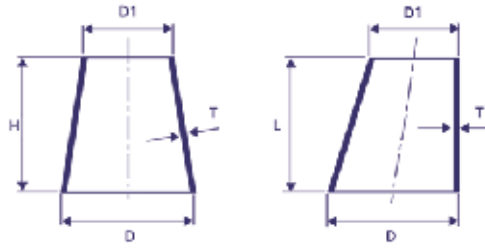
DN	d1 OD	T Wall	H	Weight
mm	mm	mm	mm	kg
25	28	1.5	28.5	0.07
32	38	1.5	47.5	0.18
32	38	2	47.5	0.24
40	44.5	2	47.5	0.24
50	54	2	57.0	0.34
65	69	2	63.5	0.48
80	84	2	85.5	0.77
100	104	2	105	1.19
125	129	2	124	1.76
150	154	2	143	2.03
200	204	2	178	3.84

DN	D OD	T Wall	H Height	Weight
mm	mm	mm	mm	kg
25	28	1.5	12	0.02
30	33	2	12	0.03
32	38	2	15	0.03
40	44.5	2	16	0.04
50	54	2	19	0.06
80	84	2	23	0.13
100	104	2	24	0.19
125	129	2	34	0.31
150	154	2	41	0.44
200	206	3	50	1.13
250	256	3	55	1.62
300	306	3	70	2.47
350	356	3	89	3.52
400	406	3	98	4.52
450	458	4	108	5.5
500	508	4	120	6.6
600	608	4	140	9.2

Metric Tube and Fittings

RANGE/SIZES
METRIC
REDUCERS

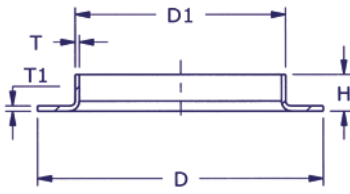
CONCENTRIC AND ECCENTRIC REDUCERS



DN1 x DN2	OD1 x OD2	T Wall	Length	Weight
mm	mm	mm	mm	kg
25 x 20	28 x 23	1.5	25	0.024
30 x 25	33 x 28	1.5	30	0.034
40 x 25	43 x 28	1.5	40	0.054
40 x 25	44 x 29	2	40	0.073
50 x 25	54 x 29	2	50	0.104
50 x 40	54 x 44	2	50	0.123
65 x 40	69 x 44	2	65	0.185
65 x 50	69 x 54	2	65	0.201
80 x 40	84 x 44	2	80	0.257
80 x 50	84 x 54	2	80	0.277
80 x 65	84 x 69	2	80	0.307
100 x 50	104 x 54	2	150	0.397
100 x 65	104 x 69	2	100	0.44
100 x 80	104 x 84	2	100	0.472
125 x 50	129 x 54	2	125	0.575
125 x 80	129 x 84	2	125	0.669
125 x 100	129 x 104	2	125	0.732
150 x 80	154 x 84	2	150	0.897
150 x 100	154 x 104	2	150	0.98
150 x 100	156 x 106	3	150	1.49
150 x 125	154 x 129	2	150	1.07
200 x 100	204 x 104	2	300	1.55
200 x 125	204 x 129	2	200	1.67
200 x 150	204 x 154	2	200	1.80
250 x 125	254 x 129	2	250	2.41

DN1 x DN2	OD1 x OD2	T Wall	Length	Weight
mm	mm	mm	mm	kg
250 x 150	254 x 154	2	250	2.56
250 x 200	254 x 204	2	250	2.88
250 x 200	255 x 205	2.5	250	3.59
250 x 200	256 x 206	3	250	4.35
300 x 200	304 x 204	2	300	3.83
300 x 200	306 x 206	3	300	3.85
300 x 250	304 x 254	2	300	4.21
300 x 250	306 x 256	3	300	6.35
350 x 200	356 x 206	3	350	7.41
350 x 250	356 x 256	3	350	8.07
350 x 300	356 x 306	3	350	8.73
400 x 200	406 x 206	3	400	9.22
400 x 250	406 x 256	3	400	9.98
400 x 300	406 x 306	3	400	10.73
400 x 350	406 x 356	3	400	11.49
450 x 300	456 x 306	3	450	12.92
450 x 350	456 x 356	3	450	13.77
450 x 400	456 x 406	3	450	14.62
500 x 300	506 x 306	3	500	15.30
500 x 350	506 x 356	3	500	16.24
500 x 400	506 x 406	3	500	17.18
500 x 450	506 x 456	3	500	18.12
600 x 400	606 x 406	3	600	22.88
600 x 450	606 x 456	3	600	24.01
600 x 500	606 x 506	3	600	25.14

PRESSED COLLARS

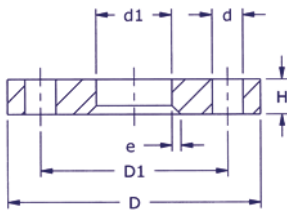


DN	DI x T x H	TI	D	Weight
mm	mm	mm	mm	kg
15	20 x 1.5 x 7	1.5	51	0.04
20	25 x 1.5 x 7	1.5	58	0.04
25	30 x 1.5 x 8	1.5	68	0.05
32	38 x 2 x 10	2	78	0.06
40	44.5 x 2 x 10	2	88	0.09
50	54 x 2 x 12	2	102	0.11
65	69 x 2 x 12	2	122	0.15
80	84 x 2 x 13	2	138	0.19
100	104 x 2 x 16	2	158	0.24
	106 x 3 x 16	3	158	0.36
125	129 x 2 x 15	2	188	0.31
	131 x 3 x 20	3	188	0.47
150	154 x 2 x 19	2	212	0.38
	156 x 3 x 20	3	212	0.57
200	204 x 2 x 21	2	268	0.54
	206 x 3 x 25	3	268	0.82
250	256 x 3 x 25	3	320	1.07
300	306 x 3 x 21	3	370	1.21

Metric Tube and Fittings

RANGE/SIZES
METRIC PRESSED
COLLARS
FLANGES
CLAMPS AND
CLIPS

FLANGES



Mild steel Zinc Plated and Passivated with drilling dimensions to BS4504 PN10 Reduced Thickness (Unipipe)

Other types of backing flanges are also available including Epoxy Coated Aluminium and Pressed Stainless Steel types.

DN	D Flange OD	DI Bolt Hole PCD	Number of Bolt Holes	d Bolt Hole Diameter	d1 Flange ID	H Flange Thickness	Flange Weight
mm	mm	mm	mm	mm	mm	mm	kg
25	115	85	4	14	35	10	0.6
32	140	100	4	18	42	10	1.0
40	150	110	4	18	50	10	1.2
50	165	125	4	18	60	10	1.4
65	185	145	4	18	75	10	1.7
80	200	160	8	18	90	10	1.8
100	220	180	8	18	110	10	1.9
125	250	210	8	18	136	12	3.1
150	285	240	8	22	161	12	3.8
200	340	295	8	22	213	12	4.9
250	395	350	12	22	262	16	8.0
300	445	400	12	22	313	19	11.0
350	505	460	16	22	364	22	15.5
400	565	515	16	26	418	22	18.1
450	615	565	20	26	470	25	22.1
500	670	620	20	26	520	28	25.4
600	780	725	20	29	630	31	30.0

CLAMPS AND CLIPS

A range of tube Clamps and Clips is available in Grade 1.4404 (316L) Stainless Steel as well as Zinc Plated Mild Steel.

General Information

GENERAL DATA

CALCULATION OF TUBE WEIGHTS

Form	Dimensions	Weight for Alloys of Density
	mm	p Kg/dm ³
Pipe/Tube (Round)	Outside diameter = D Inside diameter = d Wall thickness = t	0.0031416 (D-t)tp, or 0.0031416 (d+t)tp Kg/m
Square/Rectangular Tube	Sides = a ¹ , a ² , Wall thickness = t	0.001 (2a ¹ + 2a ² - 4t)tp Kg/m

ELEMENTS AND SYMBOLS

Aluminium – Al	Cobalt – Co	Lithium – Li	Oxygen – O	Tin – Sn
Arsenic – As	Columbium – Cb*	Manganese – Mn	Phosphorus – P	Titanium – Ti
Boron – B	Copper – Cu	Molybdenum – Mo	Selenium – Se	Zinc – Zn
Cadmium – Cd	Hydrogen – H	Nickel – Ni	Silicon – Si	Zirconium – Zr
Carbon – C	Iron – Fe	Niobium – Nb	Sulphur – S	* The American designation for Niobium
Chromium – Cr	Lead – Pb	Nitrogen – N	Tellurium – Te	

DENSITIES

Material	Density Kg/dm ³
Aluminium	2.70
Stainless Steel - Ferritic/Martensitic - Austenitic	7.75 7.75
Copper	8.90
Brass	8.47
Bronze	8.89
INCOLOY Alloy 800	7.95
INCOLOY Alloy 800H	7.95
INCOLOY Alloy 825	8.14
INCOLOY Alloy 903	8.14
INCOLOY Alloy DS	7.92
INCONEL Alloy 600	8.42
INCONEL Alloy 601	8.06

DENSITIES

Material	Density Kg/dm ³
INCONEL Alloy 617	8.36
INCONEL Alloy 625	8.44
INCONEL Alloy 690	8.19
INCONEL Alloy 718	8.19
INCONEL Alloy X-750	8.25
MONEL Alloy 400	8.83
MONEL Alloy K-500	8.46
Nickel 200	8.89
Nickel 201	8.89
UNS 31803	7.80
17-4 PH	7.75

COMPARATIVE DENSITIES

Material	Density Kg/dm ³
Stainless Steel	1.000
Stainless Steel - Ferritic/Martensitic	0.977
Mild and Carbon Steel	0.994
Low Alloy Steel	0.987
Aluminium	0.341
Copper	1.134
Brass	1.066
Aluminium Bronze	0.970
Titanium	0.571
Lead	1.440

ABBREVIATIONS FOR STANDARDS ORGANISATIONS

Abbreviations for standards organisations and documents, referred to in this manual, are expanded below:

AFNOR	French Standards Association	EN	European Norm (Standard) issued by European Committee for Standardisation (CEN)
AISI	American Iron and Steel Institute	ISO	International Organisation for Standardisation
ANSI	American National Standards Institute, Inc.	JIS	Japanese Industrial Standards issued by Japanese Standards Authority (JSA)
API	American Petroleum Institute	MSS	Manufacturers Standardisation Society of the Valve and Fittings Industry, Inc.
ASME	The American Society of Mechanical Engineers	SIS	Swedish Standards
ASTM	American Society for Testing and Materials	SMS	Swedish Mechanical Standards
BS	British Standards issued by British Standards Institution (BSI)	UNI	Italian Standards
DIN	German Standards		

CONVERSION FACTORS

Description	From Unit	To Units	Multiply by
Angstrom units to microns	Å	μ	0.001
Atmospheres (standard) to pounds per square inch	A	lb/in ² (psi)	14.70
Atmospheres (standard) to Pascal	A	Pa	101325
Bar to kilograms force per square centimetre	bar	kgf/cm ²	1.0197
Bar to pounds force per square inch	bar	lb/in ² (psi)	14.5038
Centigrade to Fahrenheit	°C	°F	multiply by 1.8 and add 32
Centimetres to feet	cm	ft	0.03280840
Centimetres to inches	cm	in	0.393701
Cubic centimetres to cubic feet	cm ³	ft ³	0.0000353147
Cubic centimetres to cubic inches	cm ³	in ³	0.06102376
Fahrenheit to Centigrade	°F	°C	subtract 32 and multiply 0.5555
Feet per second to miles per hour	ft/s	mph	0.681818
Feet to centimetres	ft	cm	30.48
Feet to metres	ft	m	0.3048
Feet to millimetres	ft	mm	304.8
Cubic feet to cubic metres	ft ³	m ³	0.02831685
Cubic feet to gallons	ft ³	gal	6.2288
Foot pounds to kilogram metres	ftlb	kgm	0.1382
Gallons (UK) to litres	gal	l	4.546092
Gallons (US) to litres	gal	l	3.785412
Grams per cubic centimetres to pounds per cubic inch (density)	gm/cm ³	lb/in ³	0.0361275
Grams to ounces	gm	oz	0.035274
Grams to pounds	gm	lb	0.00220462
Inches to centimetres	in	cm	2.540
Inches to metres	in	m	0.0254
Inches to millimetres	in	mm	25.4
Cubic inches to cubic centimetres	in ³	cm ³	16.38706
Cubic inches to litres	in ³	l	0.01639
Kilogram metres to foot pounds	kgm	ftlb	7.233
Kilograms force to bar	kgf	B	0.9807
Kilograms force to Newtons	kgf	N	9.806650
Kilograms per metre to pounds per foot (assuming constant cross-sectional area)	kg/m	lb/ft	0.671970
Kilograms per square centimetre to pounds per square inch	kg/cm ²	lb/in ² (psi)	14.223
Kilograms per square metre to pounds per square foot	kg/cm ²	lb/ft ²	0.2048
Kilograms per square metre to Newtons per square metre	kg/m ²	N/m ²	9.806650
Kilograms per square millimetre to pounds per square inch	kg/mm ²	lb/in ² (psi)	1422.34
Kilograms per square millimetre to tons per square inch	kg/mm ²	ton/in ²	0.63497
Kilogram to pounds	kg	lb	2.205
Kilograms to tons (long)	kg	ton	0.0009842
Kilometres to miles	km	mile	0.62137
Litres of water at 62°F to pounds	l	lb	2.205
Litres to cubic inches	l	in ³	61.03
Litres to gallons (UK)	l	gal	0.2199692
Litres to gallons (US)	l	gal	0.2641720
Metres to inches	m	in	39.37008
Metres to microns	m	μ	1 million
Metres to miles	m	miles	0.000621371
Metres to feet	m	ft	3.28084
Metres to yards	m	yd	1.093613
Cubic metre to cubic inch	m ³	in ³	61023.76
Cubic metre to cubic feet	m ³	ft ³	35.31466
Cubic metre to gallon (UK)	m ³	gallon	219.9692
Cubic metre to gallon (US)	m ³	gallon	264.1720
Cubic metre to litre	m ³	l	1000.0
Cubic metre to cubic yard	m ³	yd ³	1.307951
Metric tons (or tonnes, 1000kg) to long tons	tonne	ton	0.9842
Microns to Angstrom units	μ	Å	1000
Microns to metres	μ	m	0.000001

General Information

GENERAL DATA

General Information

GENERAL DATA

CONVERSION FACTORS (CONTINUED)

Description	From Unit	To Units	Multiply by
Microns to millimetres	μ	mm	0.001
Microns to thousands of an inch	μ	thou	0.03937008
Miles per hour to feet per second	mph	ft/s	1.46666
Miles to kilometres	m	km	1.60934
Millimetres to feet	mm	ft	0.003280840
Millimetres to inches	mm	in	0.03937008
Millimetres to microns	mm	μ	1000
Millimetres to thousands of an inch	mm	thou	39.37008
Newtons per square metre (Pascal) to kilograms per square metre	N/m ² (Pa)	kg/m ²	0.1019716
Newtons per square millimetre to pounds per square inch	N/mm ²	lb/in ² (psi)	145.0377
Newtons per square millimetre to tons per square inch	N/mm ²	tons/in ²	0.06475
Newtons to kilograms force	N	kgf	0.1019716
Newtons to pound force	N	lbf	0.2248089
Ounces to grams	oz	gm	28.3495
Pints imperial to litres	pt	l	0.5679
Pounds force to Newtons	lbf	N	4.448222
Pounds per cubic inch to grams per cubic centimetre density	lb/in ³	gm/cm ³	27.67990
Pounds per foot to kilograms per metre (assuming constant cross-sectional area)	lb/ft	kg/m	1.4882
Pounds per square foot to kilograms per square metre	lb/ft ²	kg/m ²	4.882429
Pounds per square inch to atmospheres	lb/in ² (psi)	A	0.06803
Pounds per square inch to bars	lb/in ² (psi)	bar	0.06894757
Pounds per square inch to kilograms per square centimetre	lb/in ² (psi)	kg/cm ²	0.07030697
Pounds per square inch to kilograms per square millimetre	lb/in ² (psi)	kg/mm ²	0.0007030697
Pounds per square inch to Newtons per square millimetre	lb/in ² (psi)	N/mm ²	0.006894757
Pounds to grams	lb	gm	453.60
Pounds to kilograms	lb	kg	0.453593
Square centimetres to square inches	cm ²	in ²	0.1550003
Square feet to square metres	ft ²	m ²	0.09290304
Square inches to square centimetres	in ²	cm ²	6.4516
Square inches to square millimetres	in ²	mm ²	645.16
Square kilometres to square miles	km ²	miles ²	0.386103
Square metres to square feet	m ²	ft ²	10.763910
Square metres to square yards	m ²	yd ²	1.195990
Square miles to square kilometres	miles ²	km ²	2.590
Square millimetres to square inches	mm ²	in ²	0.001550003
Square yards to square metres	yd ²	m ²	0.8361274
Tons per square inch to kilograms per square millimetre	ton/in ²	kg/mm ²	1.575
Tons per square inch to Newtons per square millimetre	ton/in ²	N/mm ²	15.4443
Tons (long) to kilograms	ton	kg	1016.047
Tons (long) to metric tons (or tonne, 1000kg)	ton	tonne	1.016047
Yards to metres	yd	m	0.9144
Cubic yards to cubic metres	yd ³	m ³	0.7645549

CONVERSION OF SWG AND BWG NUMBER TO WALL THICKNESS

Standard Wire Gauge (formerly Imperial Wire Gauge) SWG		
SWG	Wall Thickness	
	in	mm
0 SWG	0.324	8.23
1 SWG	0.300	7.62
2 SWG	0.276	7.01
3 SWG	0.252	6.40
4 SWG	0.232	5.89
5 SWG	0.212	5.38
6 SWG	0.192	4.88
7 SWG	0.176	4.47
8 SWG	0.160	4.06
9 SWG	0.144	3.66
10 SWG	0.128	3.25
11 SWG	0.116	2.95
12 SWG	0.104	2.64
13 SWG	0.092	2.34
14 SWG	0.080	2.03
15 SWG	0.072	1.83
16 SWG	0.064	1.63
17 SWG	0.056	1.42
18 SWG	0.048	1.22
19 SWG	0.040	1.02
20 SWG	0.036	0.91
21 SWG	0.032	0.81
22 SWG	0.028	0.71
23 SWG	0.024	0.61
24 SWG	0.0220	0.56
25 SWG	0.0200	0.51
26 SWG	0.0180	0.46
27 SWG	0.0164	0.42
28 SWG	0.0148	0.38
29 SWG	0.0136	0.35
30 SWG	0.0124	0.31
31 SWG	0.0116	0.29
32 SWG	0.0108	0.27
33 SWG	0.0100	0.25
34 SWG	0.0092	0.23
35 SWG	0.0084	0.21
36 SWG	0.0076	0.19
37 SWG	0.0068	0.17
38 SWG	0.0060	0.15
39 SWG	0.0052	0.13
40 SWG	0.0048	0.12

Birmingham Wire Gauge BWG		
SWG	Wall Thickness	
	in	mm
0 BWG	0.340	8.64
1 BWG	0.300	7.62
2 BWG	0.284	7.21
3 BWG	0.259	6.58
4 BWG	0.238	6.05
5 BWG	0.220	5.59
6 BWG	0.203	5.16
7 BWG	0.180	4.57
8 BWG	0.165	4.19
9 BWG	0.148	3.76
10 BWG	0.134	3.40
11 BWG	0.120	3.05
12 BWG	0.109	2.77
13 BWG	0.095	2.41
14 BWG	0.083	2.11
15 BWG	0.072	1.83
16 BWG	0.065	1.65
17 BWG	0.058	1.47
18 BWG	0.049	1.24
19 BWG	0.042	1.07
20 BWG	0.035	0.89
21 BWG	0.032	0.81
22 BWG	0.028	0.71
23 BWG	0.025	0.64
24 BWG	0.022	0.56
25 BWG	0.020	0.51
26 BWG	0.018	0.46
27 BWG	0.016	0.41
28 BWG	0.014	0.36
29 BWG	0.013	0.33
30 BWG	0.012	0.30
31 BWG	0.010	0.25
32 BWG	0.009	0.23
33 BWG	0.008	0.20
34 BWG	0.007	0.18
35 BWG	0.005	0.13
36 BWG	0.004	0.10

General Information
STANDARD AND BIRMINGHAM WIRE GAUGES

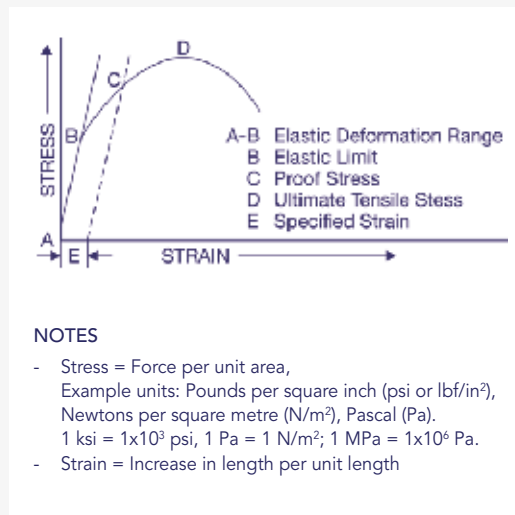
General Information

TESTING STAINLESS STEEL PRODUCTS

There are two main categories of tests: destructive tests in which the parent material or representative samples of the product are tested, and nondestructive tests performed on the finished product.

TENSILE TEST

This is probably the most revealing of the mechanical tests that can be performed upon a specimen of pipe or tubular product material. A longitudinal specimen¹ of known cross-sectional area is taken from the material and gripped at each end, and then pulled apart until fracture occurs. By recording the gradually increasing load applied and the extension during loading a Stress-Strain Graph can be plotted (see diagram).



Initially the graph is a straight line, and the material can be expected to return to its original dimensions when the load is removed.

The graph deviates from the straight line at point B, when it enters the plastic region. The deformation is permanent after this load has been applied.

The test piece continues to stretch and also weakens so that the elongation increases even though the load is decreased. Eventually the test piece fractures.

From this graph the following values can be computed.

TENSILE STRENGTH (D): The maximum tensile stress that the material is capable of sustaining.

YIELD STRENGTH OR PROOF STRESS (C): The load at which the sample is permanently elongated by a specific percentage of the original length. The percentage elongation (corresponding to the distance E on the graph) is commonly set at 0.2%. The dotted line to C on the graph is drawn parallel to line A-B.)

ELONGATION: This is a measure of the extension of the test piece at the point of fracture. The fractured test piece is carefully fitted together and the distance between gauge marks on the test piece is measured and compared with original gauge length. The increase in length is expressed as a percentage of the original length.

ELASTIC LIMIT OR YIELD POINT (B): The stress at which the test piece is permanently deformed.

MODULUS OF ELASTICITY: In the tensile test, the ratio between Stress and Strain within the elastic deformation range (A-B) is known as Young's Modulus of Elasticity.

REDUCTION OF AREA: This is the reduction in cross-sectional area of the test piece after tensile fracture expressed as a percentage of the original cross-sectional area.

NOTES

¹ The longitudinal specimen may be a full size tubular section with metal plugs fitted in the ends to allow gripping by the test machine, or for larger tube sizes a strip may be cut from the tube. Transverse tension tests may also be performed using a ring expansion method or for larger tube sizes (e.g. greater than 8 in NPS) a transverse strip may be cut/flattened.

HARDNESS TESTS

BRINELL HARDNESS TEST: A standard size hardened steel ball is indented into the surface of material by an applied standard load. The diameter of the impression is measured accurately by microscope and converted to a hardness value using tables.

VICKERS DIAMOND HARDNESS TEST: This determines hardness by measuring the impression left in material by a diamond pyramid under a standard load. The impression is accurately measured, and its area calculated. The Vickers Hardness Number is calculated by dividing the load (kg) by the area of impression (mm²).

ROCKWELL HARDNESS TEST: This determines hardness by measuring the depth to which a diamond cone or hardened steel ball, under specific load, penetrates the material. Two loads are used, a minor load (10kgf) and then a major load (100 or 150kgf), the difference in indentation being used by the machine to determine the Rockwell number. The number increases with increasing hardness and is displayed or printed by the machine. Two scales are most frequently used, a B scale with a 100kgf load and 1.588mm steel ball, and a C scale with a 150kgf load and diamond cone.

A Rockwell superficial hardness machine is used for testing very thin wall thicknesses, the minor load used being 3kgf and the major load being 15, 30 or 45kgf. The superficial hardness scales used are then 15T, 30T or 45T with a 1.588mm steel ball, or 15N, 30N or 45N with a diamond cone.

IMPACT TESTS

In this type of test, a sample is subjected to sudden force to measure its toughness or resistance to shock.

CHARPY IMPACT TEST: In this test a specimen is supported at both ends and subjected to a blow by a Pendulum immediately behind a prepared notch, either 'U' or 'V' shape in cross-section. The energy absorbed in fracturing the specimen is measured by the height to which the pendulum rises after breaking the test piece. These tests can be carried out at various temperatures to determine the performance of material at either elevated or cryogenic temperatures.

At higher temperature specimens fracture by a ductile mechanism, absorbing much energy. At low temperatures they fracture in a brittle manner absorbing less energy. Within the transition range a mixture of ductile and brittle fracture is observed. Minimum test results for absorbed energy, fracture appearance, lateral expansion or a combination of these, may be specified.

MANIPULATING TESTS

These tests prove the ductility of certain tubular products and confirm the soundness of welds.

BEND TESTS: A bend test involves bending a sufficient length of full size pipe through 90° or 180° degrees around a mandrel having 12 or 8 times the nominal pipe diameter. This checks the ductility and weld soundness of pipe (2in and under) used for coiling. Transverse guided bend tests may also be specified to check the ductility of fusion welds. These involve bending the root or face of the weld in a specimen against a plunger.

FLANGE TEST: This tests the ability of boiler tubes to withstand bending into a tube sheet. It involves the tube having a flange turned over a right angles to the tube body.

FLATTENING TEST: This is usually applied to tube and involves flattening a sample of tube between two parallel faces without the tube showing flaws or cracks.

The length of the test piece and degree to which it is to be flattened (i.e. the distance between the parallel faces) are specified.

FLARE OR DRIFT TEST: This is an alternative to the flange test for certain types of pressure tube. A cone is forced into the end of the tube. The end of the tube is expanded by a specified increase in diameter without splits or cracks. The included angle of drift is also specified.

General Information

TESTING STAINLESS STEEL PRODUCTS

General Information

TESTING STAINLESS STEEL PRODUCTS

CORROSION TESTING

Various corrosion tests are available using different corrosive environments to indicate the performance of material under heavy duty applications.

WELD DECAY TEST: This test detects intercrystalline corrosion and involves the use of boiling copper sulphate/ sulphuric acid solution. Test samples are first sensitised and then immersed in the solution for 72 hours. After the immersion the samples are bent through 90 degrees and are considered satisfactory if no cracks are present.

STRAUSS TEST: This test detects intercrystalline corrosion and involves the use of boiling copper sulphate/sulphuric acid solution which must contain solid electrolytic copper. The test samples are immersed in the solution for 15 hours. After immersion the samples are bent through 90 degrees and are considered resistant to intercrystalline corrosion if they bend without cracking.

HUEY TEST: This test detects the susceptibility of a material to intergranular attack and involves the use of boiling nitric acid. The test samples are immersed in the solution at a concentration of 65% by weight for five 48 hour periods. The effect of the acid on the material is measured by the loss in weight after each period and the corrosion rate assessed as a thickness loss in a given time.

POTENTIOSTAT TEST: This is a method of determining the corrosion properties of stainless steel by producing polarisation curves which relate electrode potentials and a current flow. The shapes of the curves, which are very sensitive to microstructure and composition, provide a critical method of assessing the corrosion properties of stainless steel.

NON-DESTRUCTIVE TESTS

Non-destructive tests do not damage the material or product being tested. Frequently they are built into production processes, as is the case with pipe tested using eddy current equipment.

ULTRASONIC TESTING: This test involves ultrasonic sound waves being aimed, via a coupling medium, at the material to be tested. A proportion are bounced back at the interface but the remainder enter the material and bounce from the internal surface, to the external surface, where a transducer converts them into electrical energy. This is then monitored on a cathode ray tube where results are compared with those from a calibration standard. Any deviations from the standard are visible, thus indicating cracks or internal defects.

EDDY-CURRENT TESTING: This involves inducing eddy currents into the material by exciting a coil which surmounts two narrow search coils surrounding the material. Any discontinuities in material are found by comparing the electrical conditions that exist in the two search coils. The fault signals are amplified and can be shown on a cathode ray tube or as an audible signal.

HYDROSTATIC TESTING: This is used to test the manufactured items under a pressure equivalent to or greater than pressure to be encountered in service. It involves filling the tube with water, which cannot be compressed, and increasing the pressure inside the tube to that specified.

MAGNETIC PARTICLE TESTING: This method of testing is used when trying to detect discontinuities in material of ferromagnetic structure. The method is based on the principle that an imperfection will cause a distortion in the magnetic field pattern of a magnetised component. The imperfection can be revealed by applying magnetic particles to the component during or after magnetisation.

RADIOGRAPHIC (X-RAY) TESTING: This is usually used to determine whether a weld is sound. It involves subjecting a weld or weld area to an X-Ray source with an X-Ray sensitive film plate on the under side of the weld. The results are shown on the developed film (a photomicrograph) and interpreted according to specification.

DYE-PENETRANT TEST: This is used to detect cracks and involves spraying a dye on the area to be tested. After allowing time for penetration the surplus dye is removed and the area is then sprayed with a white developer. Any faults are revealed as coloured lines or spots caused by the developer absorbing the dye seeping from the cracks. If more sensitive results are required, a fluorescent dye is used and the same process is followed. When viewed under ultraviolet light any defects show as a highly fluorescent line or spot.

PRESSURE RATINGS FOR PIPES, TUBES AND FITTINGS

WALL THICKNESS CALCULATIONS FOR STRAIGHT PIPE UNDER INTERNAL PRESSURE

The following equations and tables are based on those provided in the Process Piping Specification, ASME B31.3a-2008, ASME Code for Pressure Piping (see Notes for references to source paragraphs and tables in this specification).

Firstly, any one of the following four equations may be used to calculate the 'pressure design wall thickness' (t) of a straight pipe subject to internal pressure.

The equations assume $t < D/6$ (for pipe with $t > D/6$ or $P/SE > 0.385$ additional factors need to be considered). The four alternative equations are:

$$t = \frac{PD}{2(SE + PY)} \quad t = \frac{PD}{2SE} \quad t = \frac{D}{2} \left(1 - \sqrt{\frac{SE - P}{SE + P}} \right) \quad t = \frac{P(d + 2c)}{2[SE - P(1 - Y)]}$$

where:

- t = Pressure design thickness
- d = Inside diameter of pipe. For pressure design calculation, the inside diameter of the pipe is the maximum value allowable under the purchase specification.
- P = Internal design pressure.
- D = Outside diameter pipe as listed in tables of standards or specifications or as measured.
- E = Quality factor. See the table "Basic quality factors 'E' for longitudinal weld joints in stainless steel pipes, tubes and fittings" on page 92.
- S = Stress value for material from the table "Basic allowable stresses 'S' in tension for stainless steels" on page 93.
- Y = Coefficient from table "Values of coefficient 'Y' for $t < D/6$ " on page 92.

Secondly, the minimum required wall thickness t_m of straight sections of pipe is determined in accordance with the following equation.

$$t_m = t + c$$

where:

- t_m = Minimum required thickness, including mechanical, corrosion and erosion allowances.
- c = The sum of the mechanical allowances (thread or groove depth) plus corrosion and erosion allowances.
For threaded components, the nominal thread depth (dimension h of ASME B1.20.1, or equivalent) shall apply.
For machined surfaces or grooves where the tolerance is not specified, the tolerance shall be assumed to be 0.5mm (0.02in) in addition to the specified depth of the cut.

The actual minimum thickness for the pipe selected, considering manufacturer's tolerance, shall not be less than t_m .

UNITS OF MEASURE FOR CALCULATIONS

It is important to use compatible units for pressure calculations. ASTM and ASME/ANSI specifications are based upon imperial sizes.

PIPE BENDS

The equations above may also be used for pipe bends provided the requirement for minimum wall thickness (t_m) is met.

FURTHER INFORMATION

Refer to ASME B31.3a-2008 paragraph 304 for further details relating to pressure rating and wall thickness calculations applicable to elbows, branch connections, closures, flanges, reducers and other components.

General Information

PRESSURE RATINGS

General Information

PRESSURE RATINGS

VALUES OF COEFFICIENT 'Y' FOR T<D/6

Materials	Temperature, °F (°C)					
	≤900 (≤482)	950 (510)	1000 (538)	1050 (566)	1100 (593) ≥	1150 (≥621)
	Y					
Ferritic Steels	0.4	0.5	0.7	0.7	0.7	0.7
Austenitic Steels	0.4	0.4	0.4	0.4	0.5	0.7
Cast Iron	0.0	-	-	-	-	-

NOTES

- The above table and the equations are based on paragraph 304.1 of ASME B31.3a-2008
- The value for Y may be interpolated for intermediate temperatures. For $t > D/6$:

$$Y = \frac{d + 2c}{D + d + 2c}$$

BASIC QUALITY FACTORS 'E' FOR LONGITUDINAL WELD JOINTS IN STAINLESS STEEL PIPES, TUBES AND FITTINGS

Spec. No.	Class/Type	Description	E	Notes
A182	-	Forgings and Fittings	1.00	-
A268	-	Seamless Tube	1.00	-
	-	Electric Fusion Welded Tube, Double Butt Seam	0.85	-
	-	Electric Fusion Welded Tube, Single Butt Seam	0.80	-
A269	-	Seamless Tube	1.00	-
	-	Electric Fusion Welded Tube, Double Butt Seam	0.85	-
	-	Electric Fusion Welded Tube, Single Butt Seam	0.80	-
A312	-	Seamless Pipe	1.00	-
	-	Electric Fusion Welded Pipe, Double Butt Seam	0.85	-
	-	Electric Fusion Welded Pipe, Single Butt Seam	0.80	-
A358	1, 3, 4	Electric Fusion Welded Pipe, 100% radiographed	1.00	-
	5	Electric Fusion Welded Pipe, Spot radiographed	0.90	-
	2	Electric Fusion Welded Pipe, Double Butt Seam	0.85	-
A376	-	Seamless Pipe	1.00	-
A403	-	Seamless Fittings	1.00	-
	-	Welded Fitting, 100% radiographed	1.00	1
	-	Welded Fitting, Double Butt Seam	0.85	-
	-	Welded Fitting, Single Butt Seam	0.80	-
A409	-	Electric Fusion Welded Pipe, Double Butt Seam	0.85	-
	-	Electric Fusion Welded Pipe, Single Butt Seam	0.80	-
A430	-	Seamless Pipe	1.00	-
A789	-	Seamless	1.00	-
	-	Electric Fusion Welded Pipe, 100% radiographed	1.00	-
	-	Electric Fusion Welded Tube, Double Butt Seam	0.85	-
	-	Electric Fusion Welded Tube, Single Butt Seam	0.80	-
A790	-	Seamless	1.00	-
	-	Electric Fusion Welded Pipe, 100% radiographed	1.00	-
	-	Electric Fusion Welded Pipe, Double Butt Seam	0.85	-
	-	Electric Fusion Welded Pipe, Single Butt Seam	0.80	-

NOTES

- This table is based on Table A-1B of ASME B31.3a-2008
- 1 An E factor of 1.00 may be applied only if all welds, including welds in the base material, have passed 100% radiographic examination. Substitution of ultrasonic examination for radiography is not permitted for the purpose of obtaining an E of 1.00.

BASIC ALLOWABLE STRESSES 'S' IN TENSION FOR STAINLESS STEELS

General Information
PRESSURE RATINGS

ASTM Spec No.	Grade	Min Temp °F (for °C see Notes)	Metal Temperature, °F (°C)										Notes
			Min Temp to 100 (37.8)	300 (149)	500 (260)	700 (371)	850 (454)	1000 (538)	1150 (621)	1300 (704)	1400 (760)	1500 (816)	
Basic Allowable Stress, S ksi													
A312	TP321	-325	16.7	16.7	16.1	14.6	14.0	13.5	5.0	1.7	0.8	0.3	1, 2
A376	TP321	-325	16.7	16.7	16.1	14.6	14.0	13.5	5.0	1.7	0.8	0.3	1, 2
A269	TP304L	-425	16.7	16.7	14.8	13.5	12.8	7.8	4.0	2.1	1.1	0.9	2, 3
A312	TP304L	-425	16.7	16.7	14.8	13.5	12.8	7.8	4.0	2.1	1.1	0.9	-
A358	304L	-425	16.7	16.7	14.8	13.5	12.8	7.8	4.0	2.1	1.1	0.9	2
A269	TP316L	-325	16.7	16.7	14.4	12.9	12.1	11.2	8.8	3.5	1.8	1.0	2, 3
A312	TP316L	-325	16.7	16.7	14.4	12.9	12.1	11.2	8.8	3.5	1.8	1.0	-
A358	316L	-325	16.7	16.7	14.4	12.9	12.1	11.2	8.8	3.5	1.8	1.0	2
A312	TP321	-325	16.7	16.7	16.1	14.6	14.0	13.5	6.9	3.2	1.9	1.1	1, 2, 4
A376	TP321	-325	16.7	16.7	16.1	14.6	14.0	13.5	6.9	3.2	1.9	1.1	1, 2, 4
A312	TP321H	-325	16.7	16.7	16.1	14.6	14.0	13.5	6.9	3.2	1.9	1.1	1, 2
A376	TP321H	-325	16.7	16.7	16.1	14.6	14.0	13.5	6.9	3.2	1.9	1.1	-
A268	TP409	-20	20.0	-	-	-	-	-	-	-	-	-	6
A268	TP430Ti	-20	20.0	-	-	-	-	-	-	-	-	-	6, 7
A376	16-8-2H	-325	20.0	-	-	-	-	-	-	-	-	-	5, 6, 8
A268	TP405	-20	20.0	17.7	17.2	16.2	10.4	4.0	-	-	-	-	6
A268	TP410	-20	20.0	17.7	17.2	16.2	10.4	6.4	1.8	-	-	-	6
A268	TP430	-20	20.0	19.6	19.0	17.6	10.4	6.5	2.4	-	-	-	6, 7
A312	TP317L	-325	20.0	20.0	17.7	16.2	15.2	-	-	-	-	-	-
A312	TP310	-325	20.0	20.0	20.0	18.3	14.6	11.0	3.6	0.8	0.4	0.2	4, 6, 10
A358	310S	-325	20.0	20.0	20.0	18.3	14.6	11.0	3.6	0.8	0.4	0.2	2, 4, 5, 6
A409	TP310	-325	20.0	20.0	20.0	18.3	14.6	11.0	3.6	0.8	0.4	0.2	2, 4, 5, 6, 10
A312	TP321	-325	20.0	20.0	19.3	17.5	16.7	16.2	5.0	1.7	0.8	0.3	1
A358	321	-325	20.0	20.0	19.3	17.5	16.7	16.2	5.0	1.7	0.8	0.3	1, 2
A376	TP321	-325	20.0	20.0	19.3	17.5	16.7	16.2	5.0	1.7	0.8	0.3	1, 2
A409	TP321	-325	20.0	20.0	19.3	17.5	16.7	16.2	5.0	1.7	0.8	0.3	1, 2
A312	TP309	-325	20.0	20.0	20.0	18.3	14.6	10.5	5.0	2.3	1.3	0.7	4, 6, 10
A358	309S	-325	20.0	20.0	20.0	18.3	14.6	10.5	5.0	2.3	1.3	0.7	4, 5, 6, 2
A409	TP309	-325	20.0	20.0	20.0	18.3	14.6	10.5	5.0	2.3	1.3	0.7	2, 4, 5, 6, 10
A312	TP347	-425	20.0	20.0	19.9	18.6	18.2	18.0	6.1	2.2	1.2	0.8	-
A358	347	-425	20.0	20.0	19.9	18.6	18.2	18.0	6.1	2.2	1.2	0.8	1, 2
A376	TP347	-425	20.0	20.0	19.9	18.6	18.2	18.0	6.1	2.2	1.2	0.8	1, 2
A409	TP347	-425	20.0	20.0	19.9	18.6	18.2	18.0	6.1	2.2	1.2	0.8	1, 2
A312	TP348	-325	20.0	20.0	19.9	18.6	18.2	18.0	6.1	2.2	1.2	0.8	-
A358	348	-325	20.0	20.0	19.9	18.6	18.2	18.0	6.1	2.2	1.2	0.8	1, 2
A376	TP348	-325	20.0	20.0	19.9	18.6	18.2	18.0	6.1	2.2	1.2	0.8	1, 2
A409	TP348	-325	20.0	20.0	19.9	18.6	18.2	18.0	6.1	2.2	1.2	0.8	1, 2
A312	TP310	-325	20.0	20.0	20.0	18.3	14.6	11.0	7.3	3.5	1.6	0.8	4, 6, 10, 11
A358	310S	-325	20.0	20.0	20.0	18.3	14.6	11.0	7.3	3.5	1.6	0.8	2, 4, 5, 6, 11
A430	FP321	-325	20.0	20.0	19.3	17.5	16.7	16.2	6.9	3.2	1.9	1.1	1, 2
A312	TP321	-325	20.0	20.0	19.3	17.5	16.7	16.2	6.9	3.2	1.9	1.1	1, 4
A358	321	-325	20.0	20.0	19.3	17.5	16.7	16.2	6.9	3.2	1.9	1.1	1, 2, 4
A376	TP321	-325	20.0	20.0	19.3	17.5	16.7	16.2	6.9	3.2	1.9	1.1	1, 2, 4
A409	TP321	-325	20.0	20.0	19.3	17.5	16.7	16.2	6.9	3.2	1.9	1.1	1, 2, 4
A430	FP321H	-325	20.0	20.0	19.3	17.5	16.7	16.2	6.9	3.2	1.9	1.1	1, 2
A376	TP321H	-325	20.0	20.0	19.3	17.5	16.7	16.2	6.9	3.2	1.9	1.1	1, 2
A312	TP321H	-325	20.0	20.0	19.3	17.5	16.7	16.2	6.9	3.2	1.9	1.1	-
A430	FP316	-425	20.0	20.0	17.9	16.3	15.7	15.3	9.8	4.1	2.3	1.3	2, 5, 8
A430	FP316H	-325	20.0	20.0	17.9	16.3	15.7	15.3	9.8	4.1	2.3	1.3	2, 5, 8
A269	TP316	-425	20.0	20.0	17.9	16.3	15.7	15.3	9.8	4.1	2.3	1.3	2, 3, 4, 5, 8
A312	TP316	-425	20.0	20.0	17.9	16.3	15.7	15.3	9.8	4.1	2.3	1.3	4, 8
A358	316	-425	20.0	20.0	17.9	16.3	15.7	15.3	9.8	4.1	2.3	1.3	2, 4, 5, 8
A376	TP316	-425	20.0	20.0	17.9	16.3	15.7	15.3	9.8	4.1	2.3	1.3	2, 4, 5, 8
A409	TP316	-425	20.0	20.0	17.9	16.3	15.7	15.3	9.8	4.1	2.3	1.3	2, 4, 5, 8
A312	TP317	-325	20.0	20.0	17.9	16.3	15.7	15.3	9.8	4.1	2.3	1.3	4, 8
A409	TP317	-325	20.0	20.0	17.9	16.3	15.7	15.3	9.8	4.1	2.3	1.3	2, 4, 5, 8

General Information

PRESSURE RATINGS

ASTM Spec No.	Grade	Min Temp °F (for °C see Notes)	Metal Temperature, °F (°C)										Notes
			Min Temp to 100 (37.8)	300 (149)	500 (260)	700 (371)	850 (454)	1000 (538)	1150 (621)	1300 (704)	1400 (760)	1500 (816)	
Basic Allowable Stress, S ksi													
A376	TP316H	-325	20.0	20.0	17.9	16.3	15.7	15.3	9.8	4.1	2.3	1.3	2, 5, 8
A312	TP316H	-325	20.0	20.0	17.9	16.3	15.7	15.3	9.8	4.1	2.3	1.3	8
A430	FP347	-425	20.0	20.0	18.6	18.2	18.2	18.0	10.5	4.4	2.5	1.3	1, 2
A430	FP347H	-325	20.0	20.0	18.6	18.2	18.2	18.0	10.5	4.4	2.5	1.3	1, 2
A376	TP347H	-325	20.0	20.0	19.9	18.6	18.2	18.0	10.5	4.4	2.5	1.3	1, 2
A312	TP347	-425	20.0	20.0	19.9	18.6	18.2	18.0	10.5	4.4	2.5	1.3	4
A358	347	-425	20.0	20.0	19.9	18.6	18.2	18.0	10.5	4.4	2.5	1.3	1, 2, 4
A376	TP347	-425	20.0	20.0	19.9	18.6	18.2	18.0	10.5	4.4	2.5	1.3	1, 2, 4
A409	TP347	-425	20.0	20.0	19.9	18.6	18.2	18.0	10.5	4.4	2.5	1.3	1, 2, 4
A312	TP348	-325	20.0	20.0	19.9	18.6	18.2	18.0	10.5	4.4	2.5	1.3	4
A358	348	-325	20.0	20.0	19.9	18.6	18.2	18.0	10.5	4.4	2.5	1.3	1, 2, 4
A376	TP348	-325	20.0	20.0	19.9	18.6	18.2	18.0	10.5	4.4	2.5	1.3	1, 2, 4
A409	TP348	-325	20.0	20.0	19.9	18.6	18.2	18.0	10.5	4.4	2.5	1.3	1, 2, 4
A312	TP347H	-325	20.0	20.0	19.9	18.6	18.2	18.0	10.5	4.4	2.5	1.3	-
A312	TP348H	-325	20.0	20.0	19.9	18.6	18.2	18.0	10.5	4.4	2.5	1.3	-
A430	FP304	-425	20.0	20.0	17.5	16.0	14.9	13.8	7.7	3.7	2.3	1.4	2, 5, 8
A430	FP304H	-325	20.0	20.0	17.5	16.0	14.9	13.8	7.7	3.7	2.3	1.4	2, 5, 8
A269	TP304	-425	20.0	20.0	17.5	16.0	14.9	13.8	7.7	3.7	2.3	1.4	2, 3, 4, 5, 8
A312	TP304	-425	20.0	20.0	17.5	16.0	14.9	13.8	7.7	3.7	2.3	1.4	4, 8
A358	304	-425	20.0	20.0	17.5	16.0	14.9	13.8	7.7	3.7	2.3	1.4	2, 4, 5
A376	TP304	-425	20.0	20.0	17.5	16.0	14.9	13.8	7.7	3.7	2.3	1.4	2, 4, 5, 8
A376	TP304H	-325	20.0	20.0	17.5	16.0	14.9	13.8	7.7	3.7	2.3	1.4	2, 5, 8
A409	TP304	-425	20.0	20.0	17.5	16.0	14.9	13.8	7.7	3.7	2.3	1.4	2, 4, 5, 8
A312	TP304H	-325	20.0	20.0	17.5	16.0	14.9	13.8	7.7	3.7	2.3	1.4	8
A268	TP443	-20	23.3	21.4	19.4	17.5	15.1	4.5	-	-	-	-	6
A268	TP446	-20	23.3	21.4	19.4	17.5	15.1	4.5	-	-	-	-	6
A789	S32304	-60	29.0	26.3	24.9	-	-	-	-	-	-	-	9
A790	S32304	-60	29.0	26.3	24.9	-	-	-	-	-	-	-	9
A789	S31803	-60	30.0	28.9	27.2	-	-	-	-	-	-	-	9
A790	S31803	-60	30.0	28.9	27.2	-	-	-	-	-	-	-	9
A789	S32900	-20	30.0	-	-	-	-	-	-	-	-	-	9
A790	S32900	-20	30.0	-	-	-	-	-	-	-	-	-	9
A789	S32750	-20	38.7	33.1	31.4	-	-	-	-	-	-	-	9
A790	S32750	-20	38.7	33.1	31.4	-	-	-	-	-	-	-	9

NOTES

- This table is based on Table A-1A of ASME B31.3a-2008.
- For specified minimum tensile and yield strengths refer to the individual ASTM specifications on pages 2-63.
- Minimum temperatures in °C: -20°F = -29°C, -60°F = -51°C, -325°F = -199°C, -425°F = -254°C
- 1 For temperatures above 538°C (1000°F), these stress values may be used only if the material has been heat treated at a temperature of 1093°C (2000°F) minimum.
- 2 When the material has not been solution heat treated, the minimum temperature shall be -29°C (-20°F) unless the material is impact tested.
- 3 Must be verified by tensile test.
- 4 For temperatures above 538°C (1000°F), these stress values apply only when the carbon content is 0.04% or higher.
- 5 For temperatures above 538°C (1000°F), these stress values may be used only if the material has been heat treated by heating to a minimum temperature of 1038°C (1900°F) and quenching in water or rapidly cooling by other means.
- 6 This steel is intended for use at high temperatures; it may have low ductility and/or low impact properties at room temperature after being used at higher temperatures.
- 7 If the chemical composition of this Grade is such as to render it hardenable, qualification under P-No.6 is required.
- 8 Increasingly tends to precipitate intergranular carbides as the carbon content increases above 0.03%.
- 9 This steel may develop embrittlement after service at approximately 316°C (600°F) and higher temperature.
- 10 This material when used below -29°C (-20°F) shall be impact tested if the carbon content is above 0.10%.
- 11 The stress values above 538°C (1000°F) shall be used only when the micrograin size, is No. 6 or less (coarser grain). Otherwise, the lower stress values listed for the same material, specification, and grade shall be used.

QUALITY

Our quality management system is dedicated to maintaining our leading role and sustaining total commitment to quality. All stock, including standard and special items are fully certified and sourced from premier worldwide manufacturers to provide full batch traceability. To ensure compliance we regularly conduct quality inspections on our mills.

Continued development of our business coupled with our ISO 9001-2015 status, guarantees that exceptionally high quality products & service will always be the Righton standard.

LOGISTICS

With over 300,000 sq ft of warehousing space, the Company holds over 6,000 tonnes of stock. Locally held material is available for next day delivery on our own fleet of over 30 vehicles.

TYPE 3.2 INSPECTION CERTIFICATION

With the introduction of new EC directives, such as the Pressure Equipment Directive (PED), there is an increasing requirement for materials to prove they meet the defined chemical and mechanical properties. This has led to the authentication of material certificate requirements under the standard BSEN 10204:2004. We can offer Type 3.2 certification of this standard upon customer request and provide independent third party inspection that will have witnessed test results provided by the manufacturer and verified the material's identification & traceability.

SECURE ON-LINE CERTIFICATE ACCESS

We provide a password protected service to allow our customers access to certificates. This reduces the need to supply paper copies and has the added benefit of helping the environment by reducing our carbon footprint.

MATERIAL TESTING

In addition to the requirements of individual specifications, we can offer further mechanical testing including:

- Brinell & Rockwell hardness testing
- Charpy - To room and sub-zero temperatures
- Multiple directional testing

NON DESTRUCTIVE TESTING

Ultrasonic & dye penetrant testing carried out by independent NAMAS registered laboratories with operator approval ANSI level 3 & PCN level 2, can be provided against national, international or own customer specification.

SAWING EQUIPMENT

Our continued investment in the latest automatic cutting equipment enables us to cut all grades of material, at close tolerances and up to 430mm throughout our UK Service Centre network. Utilising locally held, ex stock material we offer a rapid response for all your cutting requirements.

FORGINGS

To reduce lead times and minimise potential delays in manufacturing, we offer a rapid turnaround service for the production of open and closed die forgings. Utilising locally held, ex stock material on a free issue basis, forgings can be manufactured proof machined, finished machined, fully tested and released to first level requirements if specified.

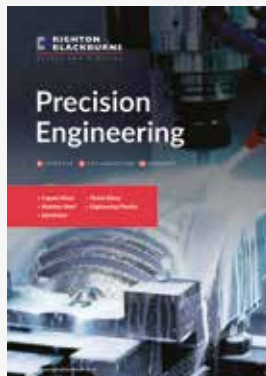
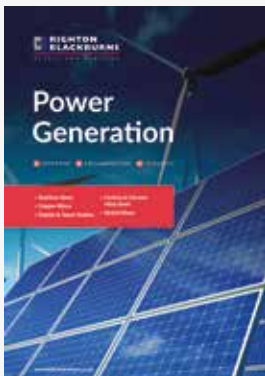
Bespoke Services

- Beveling
- Coiling
- Taper boring
- Customised packaging
- Bending
- Colour coding
- Polishing
- Bar coding
- Machining
- Part identification association
- Threading
- Designated storage areas
- Perforating



Specialist Markets

Righton Blackburns fulfils the diverse and exacting requirements of multiple industries, providing commercial, high-integrity, and fully bespoke materials engineered to precise specifications. Our expertise encompasses a broad spectrum of applications, supported by many years of close collaboration with suppliers and customers across markets including:



For more information on our full product range, contact your local Service Centre to request brochures tailored to the specialist markets we serve, or download them directly from our website.

Your trusted supply partner

for quality metals and specialist plastics

Copyright 2019: All Rights reserved: Righton Blackburns Limited. No part of this publication may be reproduced, sorted in a retrieval system or transmitted in any form or by any means, electronic, mechanical, recording or otherwise without the prior written consent of the proprietor.

Disclaimer

The information contained herein is based on our present knowledge and experience and is given in good faith. However, no liability will be accepted by the Company in respect of any action taken by any third party in reliance thereon.

As the products detailed herein may be used for a wide variety of purposes and as the Company has no control over their use, the Company specifically excludes all conditions or warranties expressed or implied by statute or otherwise as to dimensions, properties and/or their fitness for any particular purpose. Any advice given by the Company to any third party is given for that party's assistance only and without any liability on the part of the Company.

Any contract between the Company and a customer will be subject to the Company's Conditions of Sale. The extent of the Company's liabilities to any customer is clearly set out in those Conditions; a copy of which is available on request.

Weights

All weights shown in this publication are for guidance only. They are calculated using nominal dimensions and scientifically recognised densities. Please note that in practice, the actual weight can vary significantly from the theoretical weight due to variations in manufacturing tolerances and compositions.

Service Centres

With nine Service Centres nationwide, we operate a reliable and efficient delivery network supported by comprehensive in-house processing capabilities.

Alongside next-day delivery from locally held stock, we also supply non-standard and customer-specific materials to meet specialised requirements.

Bedford

+44 (0)1234 684 100
bedford@rblimited.co.uk

Birmingham

+44 (0)1384 282 630
birmingham@rblimited.co.uk

Bristol

+44 (0)117 948 2600
bristol@rblimited.co.uk

Cardiff Sales Centre

+44 (0)1656 683 900
cardiff@rblimited.co.uk

Gateshead Sales Centre

+44 (0)191 338 7000
gateshead@rblimited.co.uk

Glasgow

+44 (0)141 646 3730
glasgow@rblimited.co.uk

Leeds

+44 (0)113 386 3280
leeds@rblimited.co.uk

Manchester

+44 (0)1942 758 800
manchester@rblimited.co.uk

Norwich

+44 (0)1603 243 900
norwich@rblimited.co.uk

Portsmouth

+44 (0)2392 623 070
portsmouth@rblimited.co.uk

Plymouth

+44 (0)1752 844 931
plymouth@rblimited.co.uk

Tonbridge Sales Centre

+44 (0)1732 582 700
tonbridge@rblimited.co.uk



AS 9100 REV D
AS 9120 REV B

